



MASTER
CLIMATE SOLUTIONS

Dantherm S.p.A.

Via Gardesana 11, -37010-
Pastrengo (VR), Italy

Dantherm S.p.A.

Виа Гардесана 11, 37010
Пастренго (Верона), Италия

Dantherm Sp. z o.o.

ul. Magazynowa 5A,
62-023 Gądkі, Poland

Dantherm Sp. z o.o.

ул. Магазинова, 5А,
62-023 Гадки, Польша

Dantherm LLC

ul. Transportnaya - 22 ownership 2,
142802, STUPINO, Moscow region, Russia

ООО «Дантерм»

Ул. Транспортная, владение 22/2,
142802, г.Ступино, Московская обл., РФ

Dantherm China LTD

Unit 2B, 512 Yunchuan Rd.,
Shanghai, 201906, China

Dantherm China LTD

Юньчуань роад, 512, строение 2В,
Шанхай, 201906, Китай

Dantherm SP S.A.

C/Calabozos, 6 Polígono Industrial, 28108
Alcobendas (Madrid) Spain

Dantherm SP S.A.

Ц/Калабозос, 6 Полигоно Индустириал,
28108 Алкобендас (Мадрит) Испания

USER AND MAINTENANCE BOOK	en
LIBRETTO USO E MANUTENZIONE	it
BEDIENUNGS- UND WARTUNGSANLEITUNG	de
MANUAL DE INSTRUCCIONES PARA EL USO Y MANTENIMIENTO	es
MANUEL D'UTILISATION ET DE MAINTENANCE	fr
HANDLEIDING VOOR GEBRUIK EN ONDERHOUD	nl
MANUAL DE USO E MANUTENÇÃO	pt
VEJLEDNING OM BRUG OG VEDLIGEHOLDELSE	da
KÄYTTÖ- JA HUOLTO-OHJE	fi
HEFTE FOR BRUK OG VEDLIKEHOLD	no
ANVÄNDAR- OCH UNDERHÅLLSHANDBOK	sv
INSTRUKCJA OBSŁUGI I KONSERWACJI	pl
РУКОВОДСТВО ПО ЭКСПЛУАТАЦИИ И ТЕХНИЧЕСКОМУ ОБСЛУЖИВАНИЮ	ru
PRÍRUČKA PRO POUŽITÍ A ÚDRŽBU	cs
HASZNÁLATI ÉS KARBANTARTÁSI KÉZIKÖNYV	hu
PRIROČNIK Z NAVODILI ZA UPORABO IN VZDRŽEVANJE	sl
KULLANIM VE BAKIM KİTAPÇIĞI	tr
KNJIŽICA O UPORABI I ODRŽAVANJU	hr
NAUDOJIMO IR PRIEŽIŪROS KNYGELĖ	lt
LIETOŠANAS UN TEHNISKĀS APKOPES GRĀMATIŅA	lv
KASUTUS- JA HOOLDUSJUHEHD	et
MANUAL DE UTILIZARE ŞI ÎNTREȚINERE	ro
PRÍRUČKA PRE POUŽITIE A ÚDRŽBU	sk
НАРЪЧНИК ЗА ИЗПОЛЗВАНЕ И ПОДДРЪЖКА	bg
КЕРІВНИЦТВО З ЕКСПЛУАТАЦІЇ Й ТЕХНІЧНОГО ОБСЛУГОВУВАННЯ	uk
KNJIŽICOM O UPOTREBI I ODRŽAVANJU	bs
ΕΓΧΕΙΡΙΔΙΟ ΧΡΗΣΗΣ ΚΑΙ ΣΥΝΤΗΡΗΣΗΣ	el
使用和维护手册	zh

CE

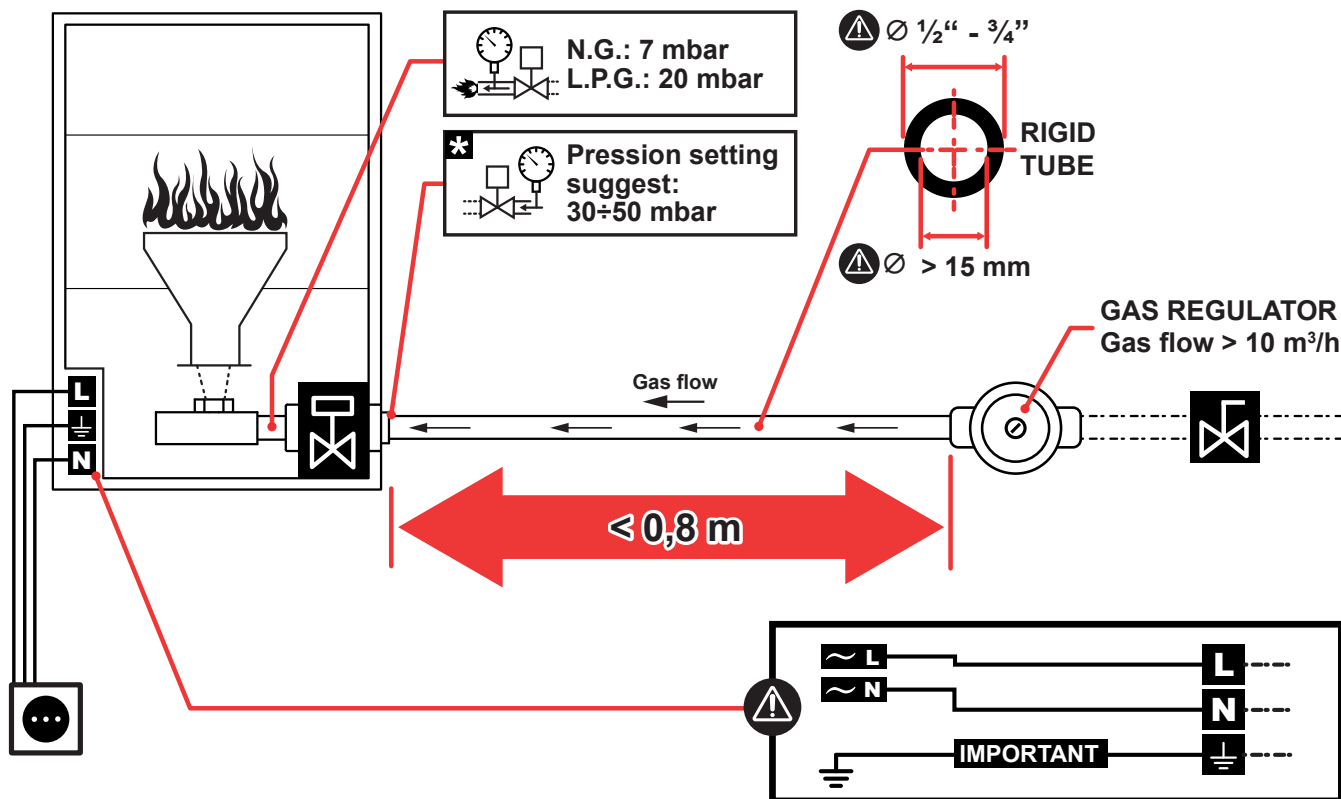
CF 75



CF 75A



IMPORTANT SETUP:



► **en** - STRICTLY COMPLY WITH ALL THE INDICATIONS IN THIS LABEL IN ORDER TO OBTAIN THE CORRECT OPERATION OF THE HEATER. - Only use professional and perfectly calibrated equipment to set up the heaters (pressure gauges with MAX resolution 1 mbar). - (*) The set-up must be performed when all heaters, connected to the same gas supply line, are running (simultaneous use).

► **it** - SEGUIRE SCRUPOLOSAMENTE TUTTE LE INDICAZIONI RIPORTATE IN QUESTA ETICHETTA, AL FINE DI OTTENERE IL CORRETTO FUNZIONAMENTO DEL RISCALDATORE. - Per il settaggio dei riscaldatori usare solo attrezzatura professionale e perfettamente tarata (manometri con risoluzione MAX. 1 mbar). - (*) Il settaggio va eseguito quando tutti i riscaldatori, connessi alla stessa linea di alimentazione gas, sono in funzione (uso simultaneo).

► **de** - UM DAS HEIZGERÄT ORDNUNGSGEMÄSS ZU BETREIBEN, ALLE AUF DIESEM ETIKETT AUFGEFÜHRTEN ANLEITUNGEN BEFOLGEN. - Für die Einstellung der Heizgeräte nur eine professionelle und einwandfrei kalibrierte Ausrüstung verwenden (Manometer mit MAX. Auflösung 1 mbar). - (*) Die Einstellung darf erst vorgenommen werden, wenn alle an derselben Gasversorgungsleitung angeschlossenen Heizgeräte in Betrieb sind (gleichzeitige Verwendung).

► **es** - SIGA ESCRUPULOSAMENTE TODAS LAS INDICACIONES CONTENIDAS EN ESTA ETIQUETA PARA OBTENER EL CORRECTO FUNCIONAMIENTO DEL CALEFACTOR. - Para regular los calefactores, utilice solo un equipo profesional y correctamente calibrado (manómetros con resolución MÁX. de 1 mbares). - (*) La regulación deberá realizarse cuando todos los calefactores, conectados a la misma línea de alimentación de gas, estén en funcionamiento (uso simultáneo).

► **fr** - SUIVRE SCRUPULEUSEMENT TOUTES LES INDICATIONS REPORTÉES SUR CETTE ÉTIQUETTE, AFIN D'OBTENIR LE FONCTIONNEMENT APPROPRIÉ DE L'APPAREIL DE CHAUFFAGE. - Pour le réglage des appareils de chauffage, n'utiliser que du matériel professionnel et parfaitement étalonné (manomètres à résolution MAX. 1 mbar). - (*) Le réglage doit être effectué lorsque tous les appareils de chauffage, connectés à la même conduite d'alimentation en gaz, fonctionnent (utilisation simultanée).

► **ru** - ДЛЯ ПРАВИЛЬНОЙ РАБОТЫ ОБОГРЕВАТЕЛЯ СТРОГО СЛЕДОВАТЬ ВСЕМ УКАЗАНИЯМ, ПРИВЕДЕННЫМ НА ЭТИКЕТКЕ. - Для настройки обогревателей пользоваться только профессиональными и правильно тарированными приборами (манометры с разрешением МАКС. 1 мбар). - (*) Настройка должна выполняться, когда все обогреватели, подсоединенные к одной линии подачи газ, находятся в работе (одновременное использование).

► **zh** - 严格遵守本标签内的一切说明，从而实现加热器的正确运行。 - 为了设置加热器，只能使用精确校准的专业设备（最大分辨率为1 mbar的压力表）。 - (*) 当连接到同一天然气供应线的所有加热器都在运行时（同时使用），必须执行此设置。












Vers. CE

TECHNICAL DATA - DATI TECNICI - TECHNISCHE DATEN - DATOS TÉCNICOS - DONNÉES TECHNIQUES - TECHNISCHE GEGEVENS - DADOS TÉCNICOS - TEKNISCHE DATA - TEKNISSET TIEDOT - TEKNISCHE DATA - TEKNISKA DATA - DANE TECHNICZNE - ТЕХНИЧЕСКИЕ ДАННЫЕ - TECHNICKÉ ÚDAJE - MŰSZAKI ADATOK - TEHNIČNI PODATKI - TEKNİK VERİLER - TEHNIČKI PODACI - TECHNINIAI DUOMENYS - TEHNISKIE DATI - TEHNILISED ANDMED - DATE TEHNICE - TECHNICKÉ ÚDAJE - ТЕХНИЧЕСКИ ДАННИ - ТЕХНІЧНІ ДАНІ - TEHNIČKI PODACI - ТЕХНИКА ДЕДОМЕНА - 技术参数

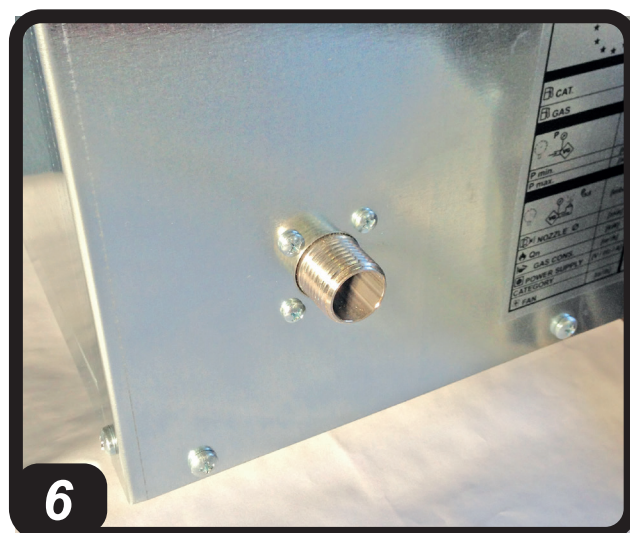
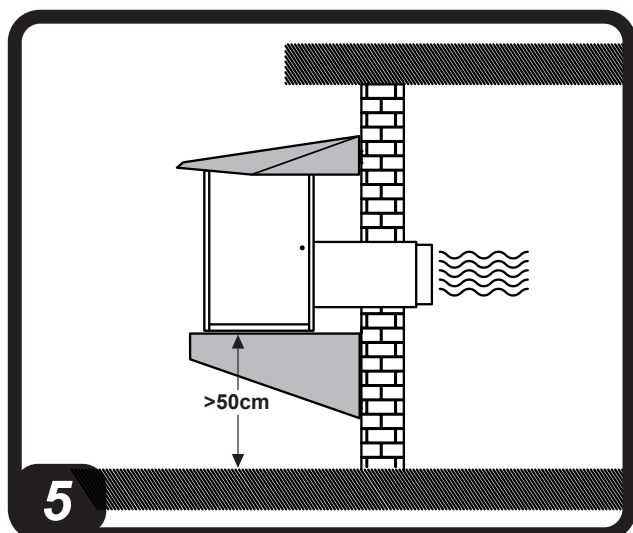
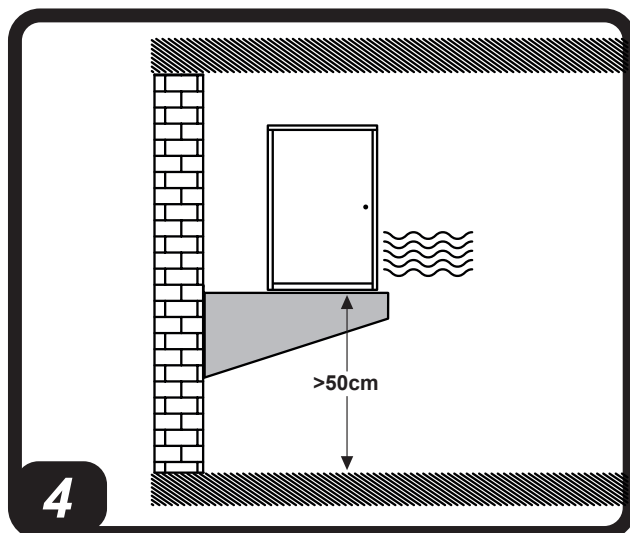
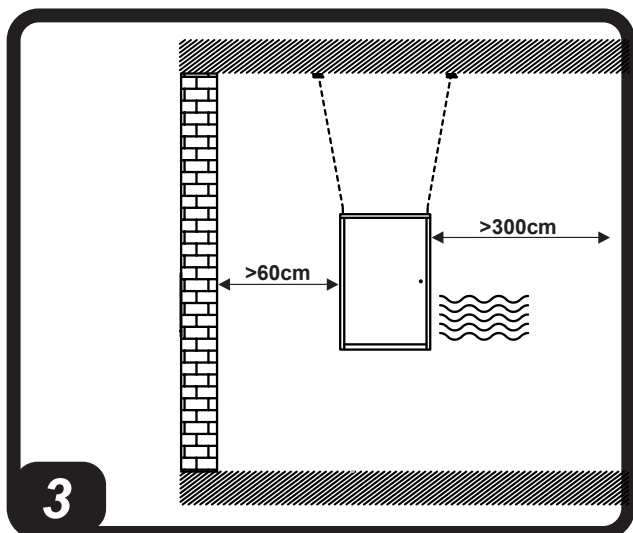
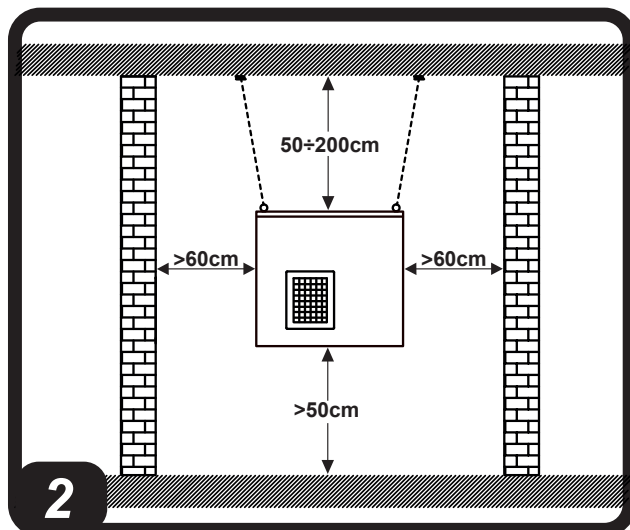
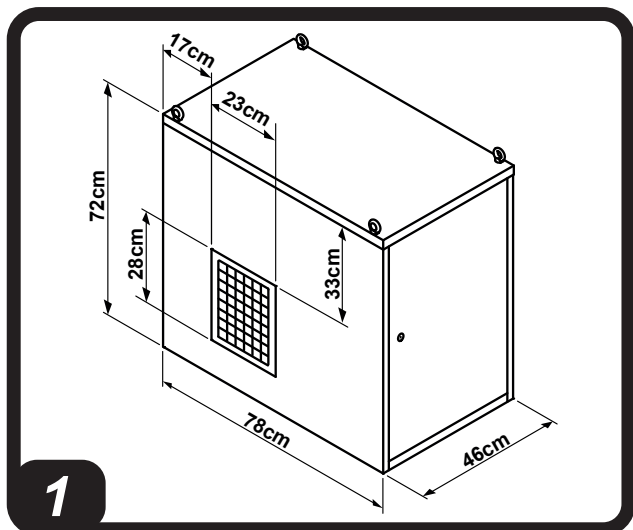
CF 75																	
	AL-BG-CZ-SI-HR-LT-MK-SK-TR-RO-AT-CH-DK-CY-EE-FI-IE-IT-SE-NO-GB-PT-ES			HU BE DE FR PL NL			DK-FI-NL-NO-SE-AL-BG-CZ-SI-HR-LT-MK-SK-TR-RO-MT-CY-EE-HU			AT-CH-DE PL		BE-CH-ES-FR-GB-IR-IT-PT		BE-ES-FR-GB-IR-PT-IE		CH-DE-NL	
	I_{2H} G 20	$I_{2E(H)B}$ G 20	I_{2ELL} G 20 / G 25	$I_{2ES1} - I_{2EF}$ G 20 / G 25	I_{2E} G 20	I_{2L} G 25	I_{3BP} G 30 / G 31	I_{3BP} G 30 / G 31	I_{3BP} G 30 / G 31	I_{3+} G 30 + G 31	I_{3P} G 31	I_{3P} G 31	I_{3P} G 31	I_{3P} G 31	I_{3P} G 31		
CAT.																	
GAS																	
P																	
P min.																	
P max.																	
P_{out}																	
NOZZLE Ø																	
Q_n																	
GAS CONS.																	
POWER SUPPLY																	
CATEGORY																	
FAN																	

ATTENTION: P_{in}: MAX 60 mbar
TEMPERATURE LIMIT: -20°C ÷ +40°C

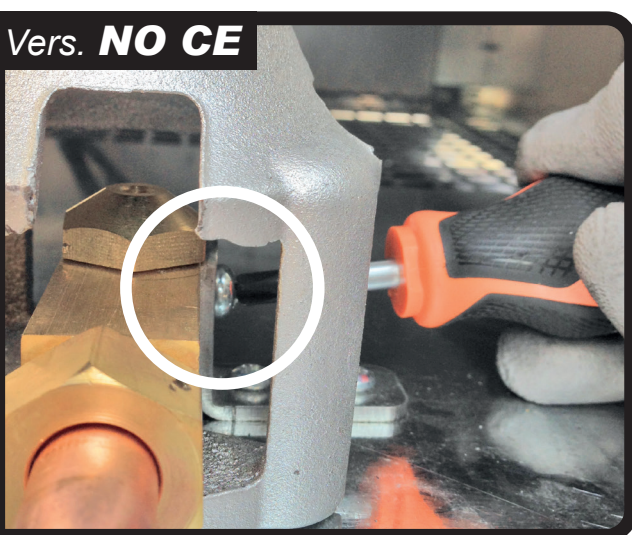
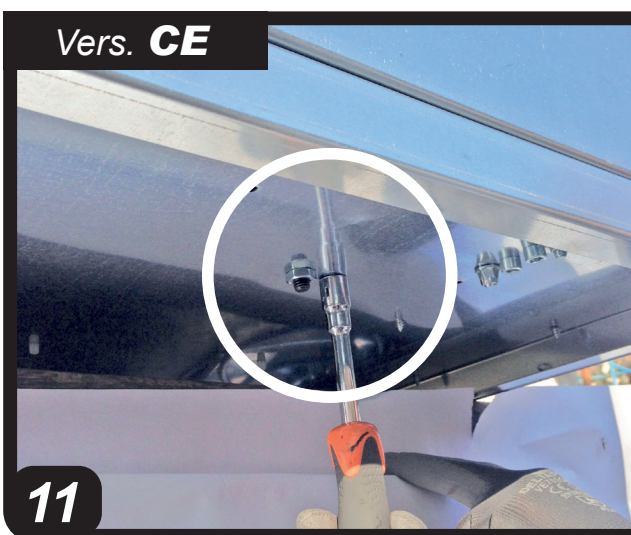
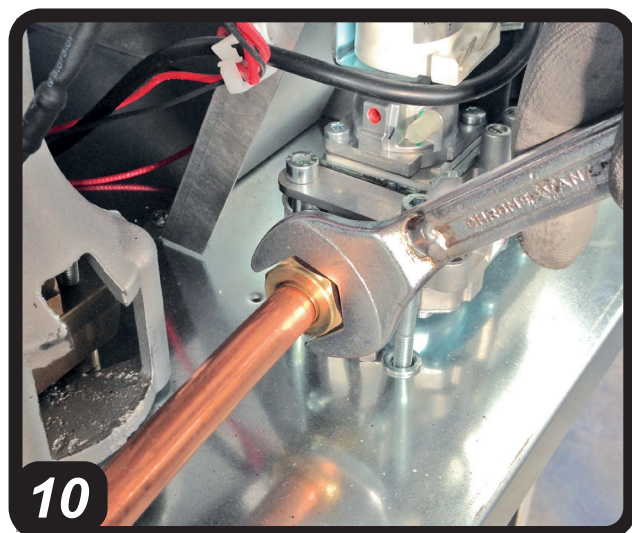
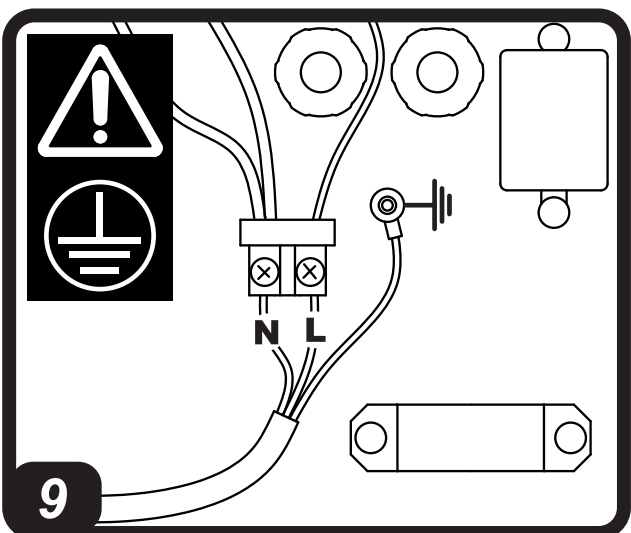
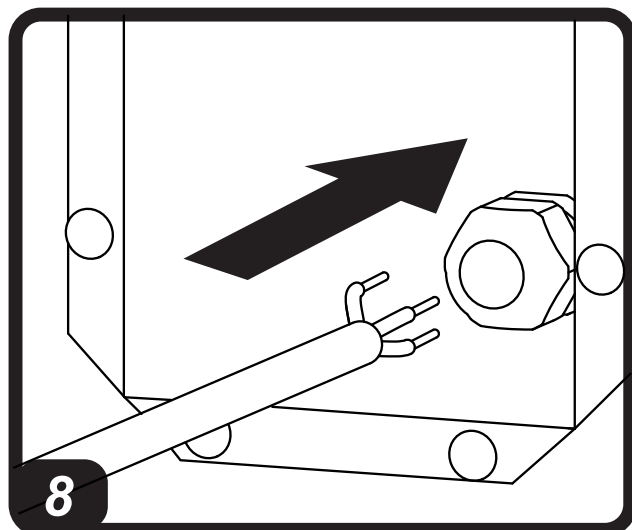
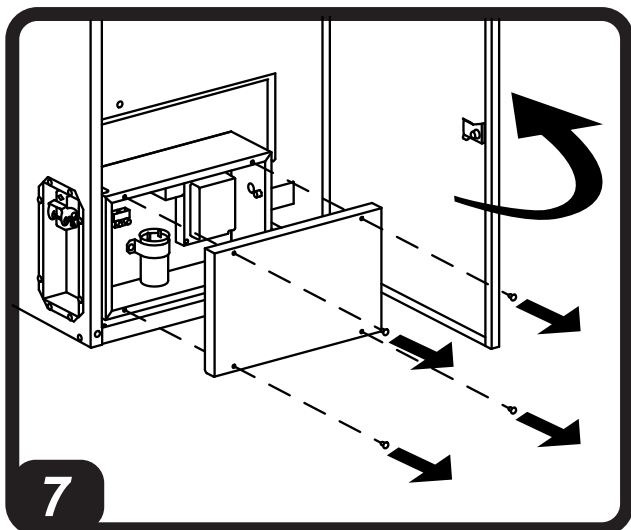
TECHNICAL DATA - DATI TECNICI - TECHNISCHE DATEN - DATOS TÉCNICOS - DONNÉES TECHNIQUES - TECHNISCHE GEGEVENS - DADOS TÉCNICOS - TEKNISKE DATA - TEKNISET TIEDOT - TEKNISKE DATA - TEKNISKA DATA - DANE TECHNICZNE - ТЕХНИЧЕСКИЕ ДАННЫЕ - TECHNICKÉ ÚDAJE - MŰSZAKI ADATOK - TEHNIČNI PODATKI - TEKNİK VERİLER - TEHNIČKI PODACI - TECHNINIAI DUOMENYS - TEHNISKIE DATI - TEHNILISED ANDMED - DATE TEHNICE - TECHNICKÉ ÚDAJE - ТЕХНИЧЕСКИ ДАННИ - ТЕХНІЧНІ ДАНІ - TEHNIČKI PODACI - ТЕХНИКА ДЕЛОМЕНА - 技术参数

CF 75A					
	I_{2H}	I_{2E}	I_{2L}	$I_{3B/P}$	I_{3P}
	G 20	G 20	G 25	G 30 / G 31	G 31
	20-55		30-55		
	[mbar]				
	7	9	20	25	
	10	5			
	75	75			
	7,7	9,2	2,3	3,1	
	~220-240 V 50 Hz 2,8 A		~220-240 V 50 Hz 2,8 A		
	A2		A2		
	2.100		2.100		
ATTENTION: P_{in}: MAX 60 mbar					
TEMPERATURE LIMIT: -20°C ÷ +40°C					

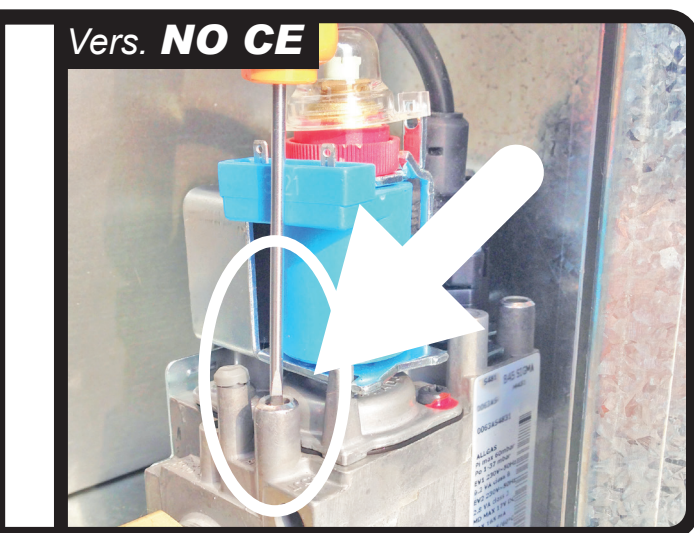
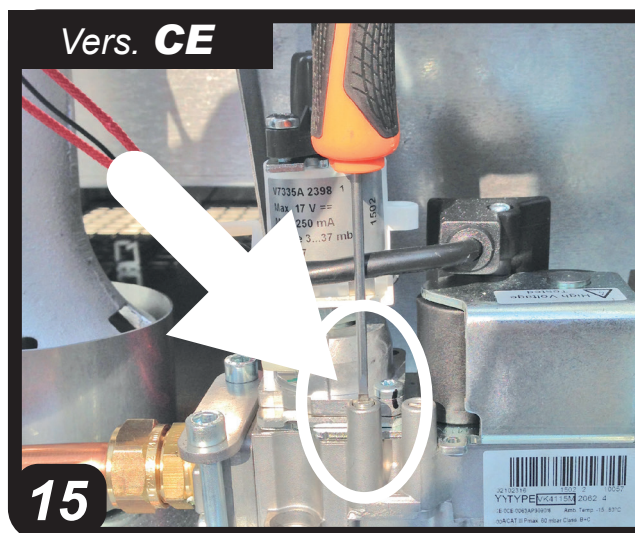
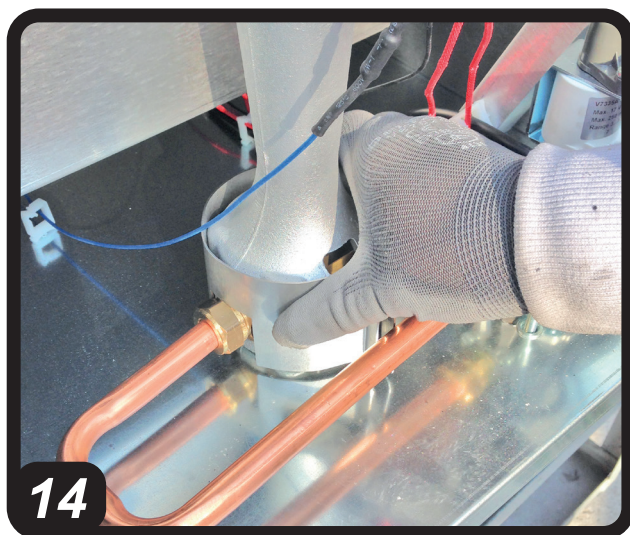
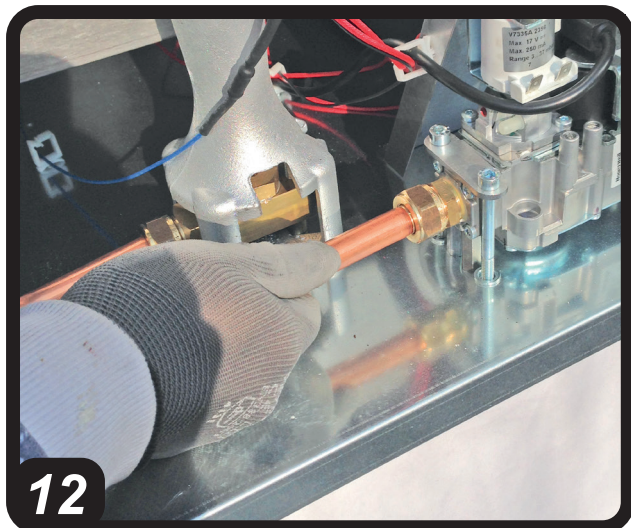
**PICTURES - FIGURE - ABBILDUNGEN - FIGURAS - FIGURES - FIGUREN
- FIGURAS - FIGURER - KUVAT - FIGURER - FIGURER - ILUSTRACJE
- ИЛЛЮСТРАЦИИ - OBRÁZKY - ÁBRÁK - SLIKE - ŞEKİLLER - SLIKE -
ILIUSTRACIJOS - ATTĒLI - JOONISED - IMAGINI - OBRÁZKY - СХЕМИ -
МАЛЮНКИ - SLIKE - EIKONEΣ - 图示**



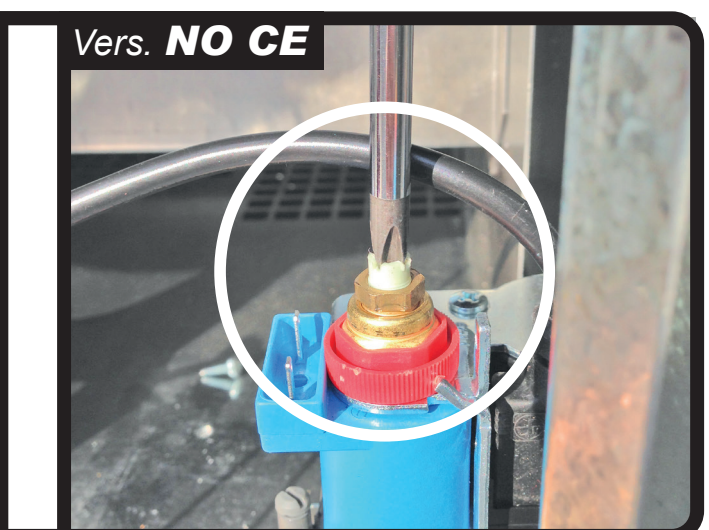
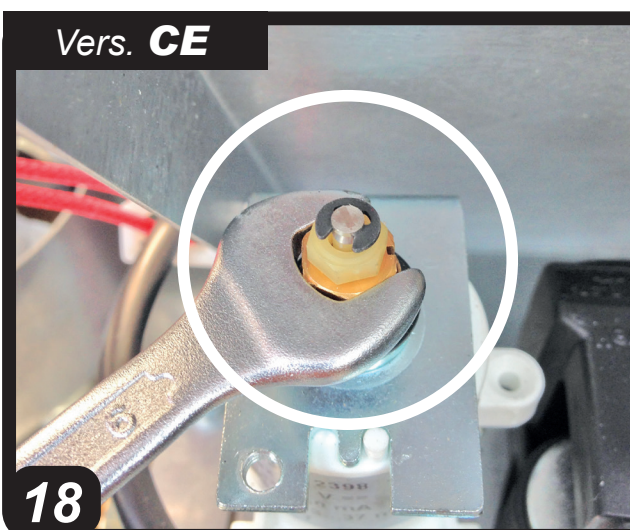
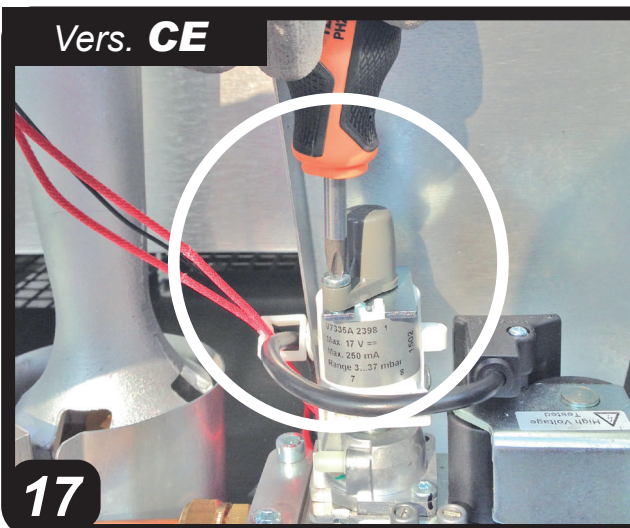
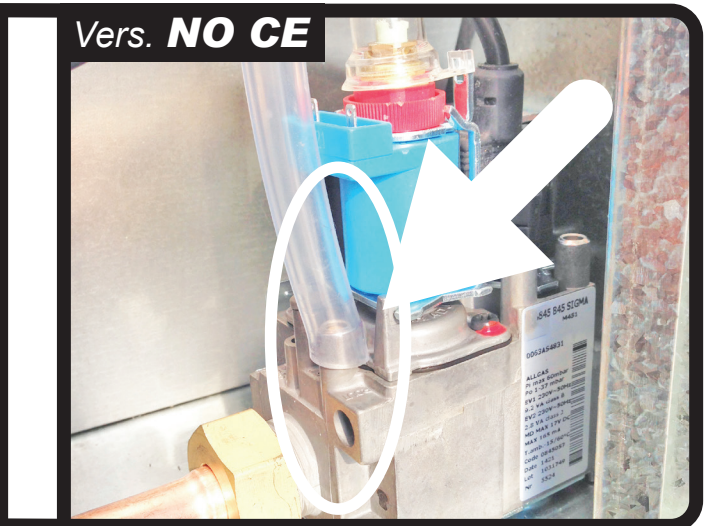
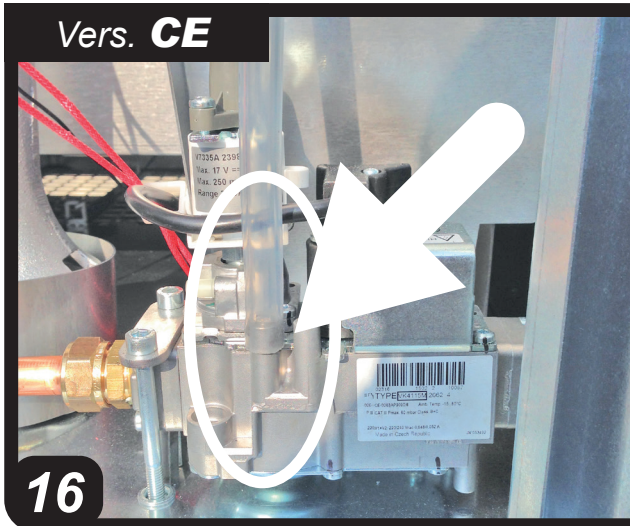
**PICTURES - FIGURE - ABBILDUNGEN - FIGURAS - FIGURES - FIGUREN
- FIGURAS - FIGURER - KUVAT - FIGURER - FIGURER - ILUSTRACJE
- ИЛЛЮСТРАЦИИ - OBRÁZKY - ÁBRÁK - SLIKE - ŞEKİLLER - SLIKE -
ILIUSTRACIJOS - ATTĒLI - JOONISED - IMAGINI - OBRÁZKY - СХЕМИ -
МАЛЮНКИ - SLIKE - EIKONES - 图示**



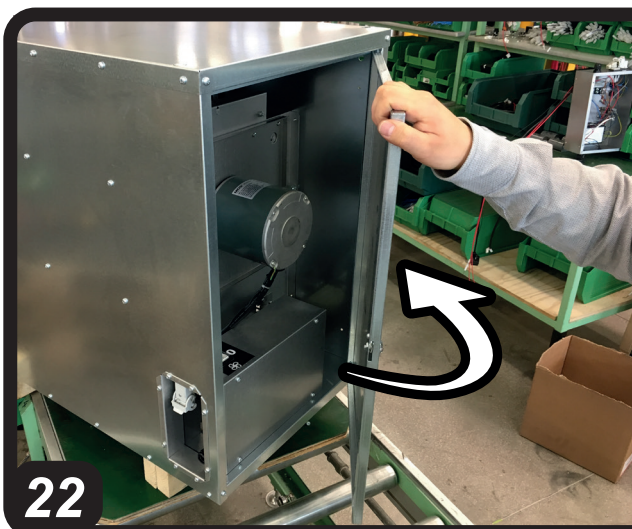
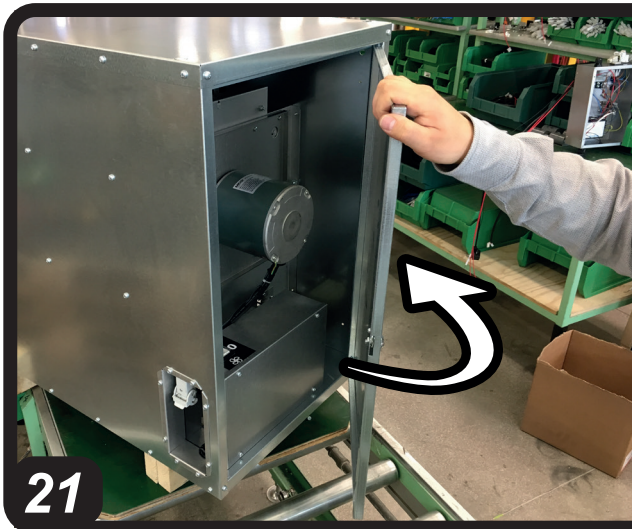
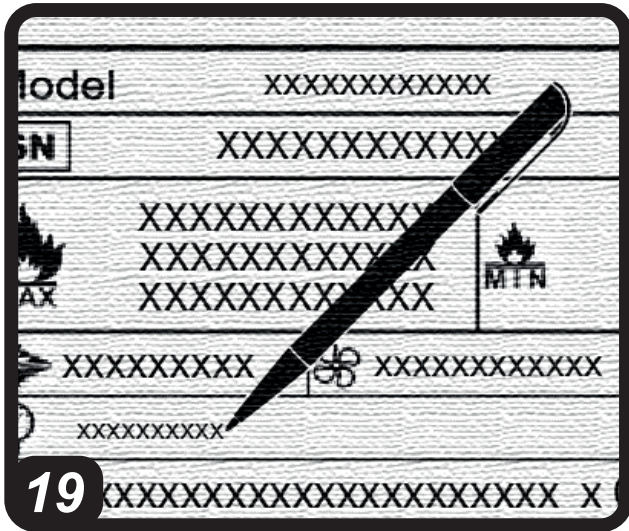
**PICTURES - FIGURE - ABBILDUNGEN - FIGURAS - FIGURES - FIGUREN
- FIGURAS - FIGURER - KUVAT - FIGURER - FIGURER - ILUSTRACJE
- ИЛЛЮСТРАЦИИ - OBRÁZKY - ÁBRÁK - SLIKE - ŞEKİLLER - SLIKE -
ILIUSTRACIJOS - ΑΤΤΕΛΙ - JOONISED - IMAGINI - OBRÁZKY - СХЕМИ -
МАЛЮНКИ - SLIKE - EIKONES - 图示**



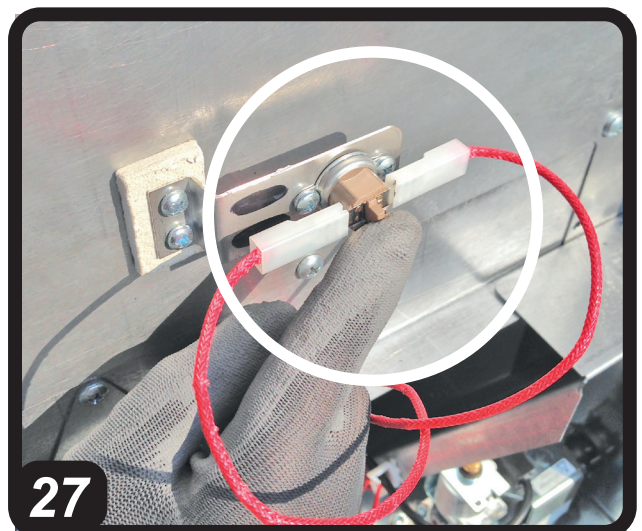
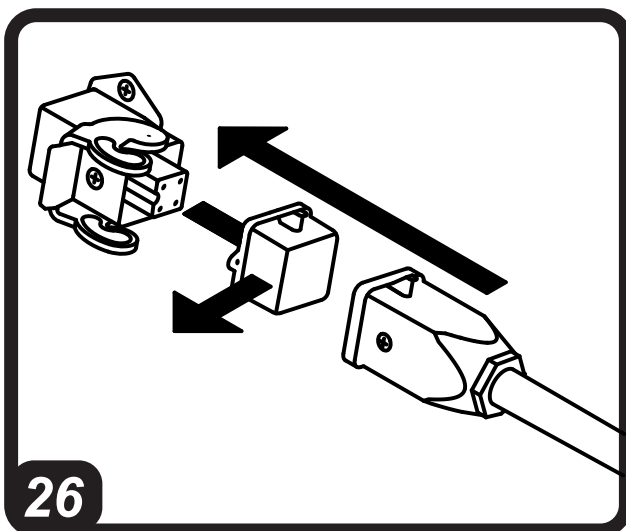
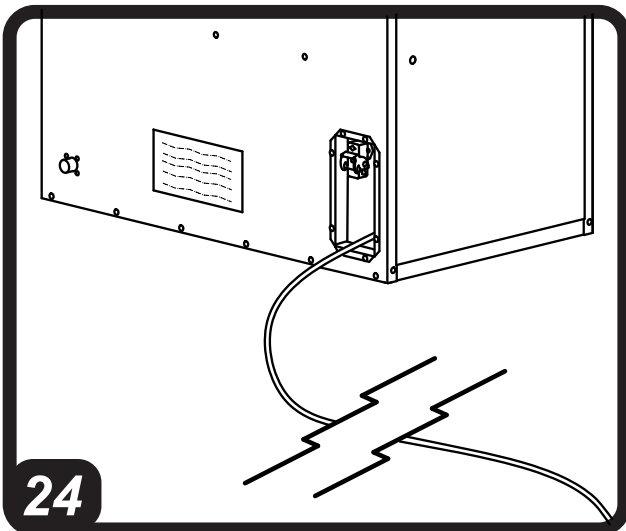
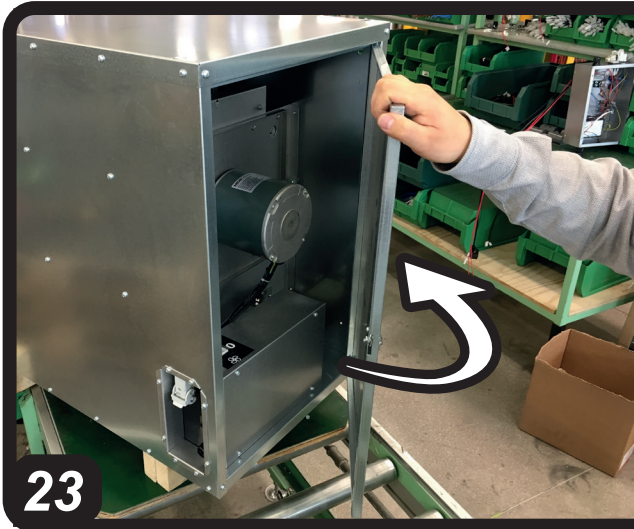
**PICTURES - FIGURE - ABBILDUNGEN - FIGURAS - FIGURES - FIGUREN
- FIGURAS - FIGURER - KUVAT - FIGURER - FIGURER - ILUSTRACJE
- ИЛЛЮСТРАЦИИ - OBRÁZKY - ÁBRÁK - SLIKE - ŞEKİLLER - SLIKE -
ILIUSTRACIJOS - ATTĒLI - JOONISED - IMAGINI - OBRÁZKY - CXEMI -
МАЛЮНКИ - SLIKE - EIKONEΣ - 图示**



**PICTURES - FIGURE - ABBILDUNGEN - FIGURAS - FIGURES - FIGUREN
- FIGURAS - FIGURER - KUVAT - FIGURER - FIGURER - ILUSTRACJE
- ИЛЛЮСТРАЦИИ - OBRÁZKY - ÁBRÁK - SLIKE - ŞEKİLLER - SLIKE -
ILIUSTRACIJOS - ATTĒLI - JOONISED - IMAGINI - OBRÁZKY - СХЕМИ -
МАЛЮНКИ - SLIKE - EIKONES - 图示**



**PICTURES - FIGURE - ABBILDUNGEN - FIGURAS - FIGURES - FIGUREN
- FIGURAS - FIGURER - KUVAT - FIGURER - FIGURER - ILUSTRACJE
- ИЛЛЮСТРАЦИИ - OBRÁZKY - ÁBRÁK - SLIKE - ŞEKİLLER - SLIKE -
ILIUSTRACIJOS - ATTĒLI - JOONISED - IMAGINI - OBRÁZKY - СХЕМИ -
МАЛЮНКИ - SLIKE - EIKONEΣ - 图示**



PARAGRAPH SUMMARY

1...	DESCRIPTION
2...	WARNINGS
3...	UNPACKING
4...	HANDLING
5...	POSITIONING
6...	CONNECTION TO THE GAS MAINS
7...	CONNECTION TO THE ELECTRICITY MAINS
8...	CONVERSION TO ANOTHER TYPE OF GAS
9...	TYPE OF FUEL
10...	SWITCH-ON
11...	FAULT LIGHT
12...	SWITCH-OFF
13...	CONNECTING THE REMOTE ROOM THERMOSTAT
14...	CLEANING THE HEATER
15...	PUTTING THE HEATER OUT OF SERVICE
16...	OPTIONAL ITEMS
17...	TROUBLESHOOTING

IMPORTANT: READ AND UNDERSTAND THIS OPERATIONAL MANUAL PRIOR TO ASSEMBLING, STARTING UP OR CONDUCTING MAINTENANCE ON THIS HEATER. USING THE HEATER INCORRECTLY CAN CAUSE SERIOUS INJURY. KEEP THIS MANUAL FOR FURTHER REFERENCE.

►► 1. DESCRIPTION

This gas heater is a product that releases heat into the air of the room it operates in by either using natural gas or liquid propane gas. It is intended for fixed installation indoors or outdoors following an assessment of the rooms and by using the designated

kits. The air drawn in by a centrifugal ventilation system is conveyed towards the burner, which controls combustion. This way the air heats up and is introduced into the room again. This direct combustion system mixes the combustion by-products with the air drawn in and releases them into the environment at a later stage. Given that the volume of air treated is greater than the actual combus-

tion needs, hot air comes out with a low concentration of carbon dioxide.

This system means one can create a heater with:

- Maximum thermal efficiency.
- Low thermal inertia.
- Small size and reduced weight.
- Simple design.
- Maximum reliability.

With a specific function, one can activate just activate the ventilation unit, thereby moving around the air.

This product can be identified via the data plate applied on the heater, which permanently reports the gaseous combustible materials that should be used, specifications and all the technical information of the heater. If the data plate or the instruc-

tion manual is damaged or lost, please request a duplicate from the authorised technical support centre.

►► 2. WARNINGS

••2.1.⚠️**IMPORTANT:** The manufacturer is responsible for compliance of the product with laws, directives or building standards in force when the product is marketed. The technician authorised by the technical support centre and the user are responsible for learning about and complying with the regulations and standards relating to the design of the system, installation, operation and maintenance.

••2.2.⚠️**IMPORTANT:** The manufacturer cannot be held liable for failure to comply with the instructions contained in the following instruction manual, for consequences to any manoeuvre performed and not specifically envisaged or for any translations that may result in erroneous interpretations.

••2.3.⚠️**IMPORTANT:** This instruction manual is an integral part of the heater and therefore must be carefully preserved. It must always remain with the appliance, even if transferred to another owner or user. If the data plate or the instruction manual is damaged or lost, please request a duplicate from the authorised technical assistance centre.

••2.4.⚠️**IMPORTANT:** This heater is not suitable for use by persons (including children) with reduced physical, sensory or mental capacities or with lack of experience or knowledge unless supervised by a person responsible for their safety. Children must be supervised to make sure they do not play with the heater. Keep animals at a safe distance from the heater.

••2.5.⚠️**IMPORTANT:** Improper use of this heater can cause damage, injuries, burns, explosions, electric shock or endanger life. The first symptoms of suffocation by carbon monoxide are similar to those of flu with headache, light-headedness and/or nausea. These symptoms could be caused by the faulty functioning of the heater. **IF THESE SYMPTOMS OCCUR, GO OUTDOORS IMMEDIATELY** and have the heater repaired by an authorised technical support centre.

••2.6.⚠️**IMPORTANT:** Any contractual and extra-contractual liability of the manufacturer for injury caused to persons, animals or damage caused to property due to incorrect installation, adjustment and maintenance or improper use is excluded.

••2.7.⚠️**IMPORTANT:** References to laws, regulations, directives and technical rules that may be mentioned in this instruction manual are intended for information purposes only and are believed to be correct at the time of printing of the manual itself. The entry into force of new regulations or amendments to existing ones will not constitute grounds for obligation for the manufacturer towards third parties.

••2.8.⚠️**IMPORTANT:** The heater must be positioned and secured by qualified personnel. The connection to the gas and electricity mains must be carried out by an authorised technician. When the work is completed, the latter will give the owner the declaration of conformity for the installation performed to a professional standard, i.e. in compliance with current standards and instructions given by the manufacturer in this instruction manual. Work involving access to dangerous areas

en (maintenance, repairs, etc.) must be carried out by the authorised technical support centre to prevent any risks.

••2.9.⚠️**IMPORTANT:** The heater does not have gas regulators or pipes to connect it to the mains. Therefore, you will need to contact an authorised technician for the installation.

••2.10.⚠️**IMPORTANT:** The heater is supplied with a specific gas setting. Any kind of change and adjustment must be performed by an authorised technician or by the authorised technical support centre. **IF ANY CHANGES AND ADJUSTMENTS ARE PERFORMED, YOU WILL NEED TO FILL IN THE NEUTRAL DATA PLATE SUPPLIED WITH THE HEATER.**

••2.11.⚠️**IMPORTANT:** The settings of the supply gas pressure values must be checked by an authorised technician.

••2.12.⚠️**IMPORTANT:** The heater must be installed exclusively in accordance with the instructions contained in this instruction manual to prevent any potential fires.

••2.13.⚠️**IMPORTANT:** Do not use to heat homes or residential buildings; for use in public buildings, refer to national regulations.

••2.14. For correct use of the heater and for preservation of the fuel, follow all local regulations and the Standard in force.

••2.15. If the heater is installed indoors, it needs an adequate supply of fresh air. It must therefore be used in rooms with a guaranteed and continuous supply of fresh air. National Standards in force are valid for installation and assessment of the supply of fresh air, including the Technical Standards and the provisions regarding accident-prevention and the prevention of fires.

••2.16. The appliance must only be used as a hot air heater (heating mode) or fan (ventilation mode). Follow these instructions scrupulously.

••2.17. Only use fuel, gas pressure values, voltage and electrical frequency clearly specified in the data plate applied on the heater.

••2.18. Make sure the heater is only connected to suitable mains with a differential switch and suitable earthing.

••2.19. It is prohibited to use the heater in basements and rooms below ground level.

••2.20. The heater must not be used in places where explosive dust, fumes, gases, fuels, solvents, paint, etc. are present.

••2.21. Whenever the heater is used near tarpaulins, awnings or similar covering materials, additional protection is recommended, such as fire-proofing. Make sure the hot parts of the generator are kept at a suitable distance from inflammable materials (fabric, paper, wood, etc.) or thermolabile materials (including the power supply cable). In any case, the distance should never be less than 3 m.

••2.22. The air vent (lower side) and/or the air outlet vent (front side) must not be totally or partially obstructed for any reason. You can use air ducting from or to the heater. The only authorised ducting is the one supplied as optional items by the manufacturer.

••2.23. If the heater does not switch on or switch-on is anomalous, please see the relative section (Paragraph on “Troubleshooting”).

••2.24. The heater must never be moved, handled or subjected to any maintenance interventions when running.

••2.25. Do not open the side inspection doors and carry out work inside when

the heater is in operation or when it is powered on and not in operation.

- 2.26.If you smell gas, switch the heater off immediately, stop the gas supply, disconnect the heater from the electricity mains, provide fresh air by opening doors and windows and then contact the authorised technical support centre.

- 2.27.When the heater is controlled by a remote room thermostat (optional item), the heater can switch back on at any time when the temperature drops below the set threshold.

- 2.28.If the heater is not used for an extended period of time, we recommend contacting the authorised technical support centre to put it back in operation.

- 2.29.The heater must only be fitted with original accessories. The manufacturer is not responsible for any damage deriving from improper user of the heater and use of non-original materials and accessories.

- 2.30.Do not modify or tamper with the heater as this may lead to hazardous situations. The manufacturer will not be held liable for any damage caused.

- 2.31.Do not place any objects on the heater.

- 2.32.Do not insert objects through the heater's grids.

- 2.33.Do not touch the air outlet grid, as during normal operation it can reach high temperatures, which may cause serious injury.

- 2.34.Do not use adapters, multi socket outlets and extensions to connect the heater to the electricity mains.

- 2.35.Do not perform any cleaning and maintenance before plugging out the heater from the electricity mains and fuel supply.

- 2.36.Ask the technical support service to check that the heater is work-

ing properly at least once a year and/or as required.

▶▶ 3.UNPACKING

DO NOT THROW AWAY THE MATERIALS (CARDBOARD, PLASTIC PACKAGING, BAGS, ETC.) OR GIVE THEM TO CHILDREN OR LEAVE THEM WITHIN THEIR REACH, AS THEY MAY REPRESENT A HAZARD.

Remove all packaging material used to deliver the heater and dispose of it in compliance with current standards. Check for any damage undergone during transport. If the heater looks damaged, inform the dealer immediately.

▶▶ 4.HANDLING

THE HEATER MUST BE HANDLED BY QUALIFIED PERSONNEL BY USING SUITABLE DEVICES AND INSTRUMENTS, IN ACCORDANCE WITH NATIONAL REGULATIONS AND CURRENT STANDARDS.

▶ 4.1.HANDLING THE HEATER WITH THE PACKAGING

It can be lifted with a forklift truck by positioning the supports under the lower base of the packaging.

▶ 4.2.HANDLING THE HEATER WITHOUT THE PACKAGING

It can be lifted with the forklift truck by positioning the supports underneath the lower base of the packaging or by using chains and suspension hooks.

►► 5.POSITIONING (Fig. 1)

READ THE WARNINGS CAREFULLY AND FOLLOW THE RECOMMENDATIONS CONTAINED IN THIS INSTRUCTION MANUAL BEFORE AND DURING INSTALLATION.

THE HEATER MUST BE POSITIONED BY QUALIFIED PERSONNEL BY USING SUITABLE DEVICES AND INSTRUMENTS, IN ACCORDANCE WITH NATIONAL REGULATIONS AND CURRENT STANDARDS.

••IMPORTANT: Do not power on the heater before the installation has been completed in order to prevent damage to property and/or injury to persons.

This heater is designed to be installed indoors or outside a building. It can be installed outdoors only with the designated original kit (Paragraph on “Optional items”). Before positioning the heater, make sure you have identified the correct position for the installation, away from flammable materials, with the right distance from the ground so as to not obstruct, not even in part, the air intake grid at the bottom of the heater. This is why you need to check the grid is at the right distance from the ground or materials that can be drawn in. The place where it is installed must be easy to access to make normal maintenance and inspection operations easier. The heater must be secured safely and permanently to the structure. Do not attach additional weight to the heater.

► 5.1.INDOOR INSTALLATION ON THE CEILING (Fig. 2-3)

Each chain and suspension hook must withstand a minimum weight of 100 kg. The surface on which the product is attached (for instance the ceiling) must

withstand a minimum weight of 200 kg. There must be a positive angle between the chains and a value that can ensure stability, in order to prevent dangerous oscillations.

► 5.2.INSTALLATION ON THE WALL (Fig. 4)

Each wall plug must withstand a minimum load of 200 kg. The masonry structure must withstand the weight of the heater placed on the brackets.

► 5.3.OUTDOOR INSTALLATION ON THE WALL (Fig. 5)

Each wall plug must withstand a minimum load of 200 kg. The masonry structure must withstand the weight of the heater placed on the brackets. The air intake and booster ducts must follow the specifications described in the original kit (Paragraph on “Optional items”).

►► 6.CONNECTION TO THE GAS MAINS (Fig. 6)

READ THE WARNINGS CAREFULLY AND FOLLOW THE RECOMMENDATIONS CONTAINED IN THIS INSTRUCTION MANUAL BEFORE AND DURING INSTALLATION.

THE GAS SUPPLY LINE AND CONNECTION MUST BE CARRIED OUT BY AN QUALIFIED TECHNICIAN BY USING SUITABLE DEVICES AND INSTRUMENTS, IN ACCORDANCE WITH NATIONAL REGULATIONS AND CURRENT STANDARDS.

The heater is designed to operate with different kinds of gas, but it is supplied with specific factory settings (see data plate applied on the heater). Never exceed the maximum supply pressure values report-

ed on the data plate in order to prevent serious damage to the heater.

The gas regulator must be installed outside the building that needs to be heated and must guarantee a supply at a pressure in line with national regulations and the heater's technical specifications. The regulator can be installed indoors only in a suitably ventilated area. National regulations will help you identify the correct installation.

Connect the heater to the gas mains by placing the utmost attention on the kind of connection (ISO 7-1:1994 thread suitable for sealing on a conical thread). The gas pipes must have a suitable size, position and anchoring. During the first start-up, use an approved device to check for any leaks due to incorrect tightening or damage to the gas supply circuit.

▶▶ 7. CONNECTION TO THE ELECTRICITY MAINS

READ THE WARNINGS CAREFULLY AND FOLLOW THE RECOMMENDATIONS CONTAINED IN THIS INSTRUCTION MANUAL BEFORE AND DURING INSTALLATION.

THE POWER SUPPLY LINE AND CONNECTION MUST BE CARRIED OUT BY AN QUALIFIED TECHNICIAN BY USING SUITABLE DEVICES AND INSTRUMENTS, IN ACCORDANCE WITH NATIONAL REGULATIONS AND CURRENT STANDARDS.

••IMPORTANT: The heater must be connected to a suitable differential and magnetothermal control system that ensures the power supply is disconnected in the event of any anomalies of the heater. For the correct functioning of the heater, it is

necessary to verify its perfect connection of the grounding.

We recommend using a 1,5 mm² (AWG 16) H07 type cable with length not exceeding 5 m. After making sure the heater is disconnected from the gas mains, open the electrical panel (Fig. 7), insert the supply cable in the cable gland (Fig. 8) and connect the cables to the suitable terminal board (Fig. 9). Upon completing connection restore the electrical panel.

▶▶ 8. CONVERSION TO ANOTHER TYPE OF GAS

READ THE WARNINGS CAREFULLY AND FOLLOW THE RECOMMENDATIONS CONTAINED IN THIS INSTRUCTION MANUAL BEFORE AND DURING INSTALLATION.

THE CONVERSION TO ANOTHER TYPE OF GAS MUST BE CARRIED OUT BY AN AUTHORISED TECHNICIAN OR BY THE AUTHORISED TECHNICAL SUPPORT CENTRE BY USING SUITABLE DEVICES AND INSTRUMENTS, IN ACCORDANCE WITH NATIONAL REGULATIONS AND CURRENT STANDARDS.

••IMPORTANT: The conversion must be carried out after closing and disconnecting the heater from the gas and electricity mains (Fig. 24).

The types of gas compatible with this kind of heater are briefly reported in the gas type label. The gas setting, before the conversion of the heater, can be identified based on the data plate applied on the heater. When the gas conversion has been completed, permanently report the parameters of the new setting on the neutral data plate supplied and then apply

en it on the heater. Here below are the steps for the conversion to another combustible gas:

► 8.1.REMOVE THE VALVE AND NOZZLE SUPPORT CONNECTION PIPE, REMOVE THE NOZZLE SUPPORT, REMOVE THE NOZZLE
PROCEDURE:

- 8.1.1.Remove the conical tip tightening ring on the valve side (Fig. 10).
 - 8.1.2.Remove the nozzle support fastening screw (Fig. 11).
 - 8.1.3.Take out the nozzle support and the gas pipe section (Fig. 12).
 - 8.1.4.Remove the gas nozzle (Fig. 13).
- CAUTION: CAREFULLY KEEP ALL THE COMPONENTS (GASKETS, CONICAL TIPS, ETC.).

► 8.2.CHOOSING THE NOZZLE

Choosing the right nozzle:

- LPG nozzle = 5 mm diameter
- G20 nozzle = 10 mm diameter
- G25 nozzle = 10 mm diameter

► 8.3.PLACE BACK THE VALVE AND NOZZLE SUPPORT CONNECTION PIPE, PLACE BACK THE NOZZLE SUPPORT, PLACE BACK THE NOZZLE

PROCEDURE:

- 8.3.1.Attach the nozzle to the nozzle support and ensure the connection is airtight. Make sure the nozzle you choose is suitable for the desired conversion (Fig. 13).
- 8.3.2.Insert the nozzle support with the pipe underneath the burner and secure it to the base with the screw (Fig. 12-11).
- 8.3.3.Tighten the conical tip tightening fitting to the gas valve (Fig. 10).
- 8.3.4.Make sure the connections are firmly attached.

CAUTION: IF USING G20-G25 GAS, INSTALL THE AIR REDUCTION COLLAR

(Fig. 14). THIS COLLAR IS ONLY REQUIRED FOR G20-G25 GAS TYPES.

► 8.4.ADJUST THE OUTLET PRESSURE FROM THE GAS VALVE

CAUTION: THE ADJUSTMENT MUST BE CONDUCTED QUICKLY AND ACCURATELY.

After assembling the duct onto the new nozzle, you need to set the heater's multipurpose gas valve at the right supply pressure. The pressure must be adjusted when the heater is in operation and the gas supply is connected. Before starting the adjustment, make sure the heater is powered on with the right type of gas for the nozzle installed.

PROCEDURE:

- 8.4.1.Identify where the gas valve outlet pressure is taken and remove the tightening screw (Fig. 15).
- 8.4.2.Connect a flexible rubber pipe, make sure it is firmly attached (Fig. 16). Considering that the pressure values are set to minimum values, use a differential manometer or, better still, a water tube manometer.
- 8.4.3.Remove the protective cover (Fig. 17) and identify the rotation screw used to adjust the pressure on the gas valve.
- 8.4.4.Prepare the specific tool to operate on the adjustment pin.
- 8.4.5.Turn on the heater and wait for a few seconds while the prewash is conducted. You can then open the gas and the flame will come on. At this exact moment you need to rotate the pin (Fig. 18) until the required outlet pressure value is reached (clockwise to increase it, anticlockwise to reduce it). After adjusting the pressure, we recommend repeating the ignition cycle three times with the inspection doors closed and by checking again the outlet pressure of the gas valve. Before

completing the gas conversion, you will need to make sure the fittings and gas pipe are firmly attached.

•8.4.6. When the gas conversion has been completed, permanently report the parameters of the new setting on the neutral data plate supplied (Fig. 19) and then apply it on the heater.

►► 9. TYPE OF FUEL

ONLY USE GAS RELATING TO THE CATEGORY REPORTED ON THE GAS TYPE STICKER TO PREVENT SERIOUS DAMAGE TO THE HEATER.

►► 10. IGNITION (Instructions for ignition, ventilation and heating) (Fig. 20)

READ THE WARNINGS CAREFULLY AND FOLLOW THE RECOMMENDATIONS CONTAINED IN THIS INSTRUCTION MANUAL WHEN USING THE PRODUCT.

THE FIRST START-UP MUST BE CONDUCTED BY AN AUTHORISED TECHNICIAN OR BY THE AUTHORISED TECHNICAL SUPPORT CENTRE.

••IMPORTANT: Before the first ignition, make sure there are no packaging residues or accessories inside the heater.

••IMPORTANT: Before turning on the product, make sure the heater is installed correctly (the gas connection, inlet pressure and electrical connection must comply with current regulations and match the values declared on the data plate). Also ensure there are no obstructions in the air circuit.

••IMPORTANT: During the first start-up, use an approved device to check for any leaks due to incorrect tightening or damage to the gas supply circuit.

The heater can operate either in ventilation or heating mode. To start the ventilating mode, set the button to the "FAN" position (Fig. 21). This way the heater only starts the motor and keeps the gas circuit closed. If you want to start the heating mode, set the button to the "FLAME" position (Fig. 22). The heater opens the gas circuit and starts the spark - thereby starting the combustion - only after activating just the fan to ensure the prewash of the combustion chamber for around 30 seconds.

If the ignition fails more than 3 times, the heater is blocked. To reset the heater, set the start button to "O" (Fig. 23). A preventive analysis of potential causes is briefly reported in the anomalies table (Paragraph on "Troubleshooting").

CAUTION: IF THE IGNITION FAILS MORE THAN THREE TIMES, THE REASON NEEDS TO BE CHECKED VIA THE AUTHORISED TECHNICAL SUPPORT CENTRE.

►► 11. WARNING LIGHT

The heater is fitted with a light to monitor the heater's operation (Fig. 25):

•LIGHT OFF (normal condition): This means the heater is off or working normally.

•LIGHT ON: This means the heater is blocked.

►► 12. TURNING OFF THE HEATER

To turn off the heater, set the button to the "O" position (Fig. 23).

CAUTION: WHEN THE PUSHBUTTON IS IN POSITION "O", THE HEATER IS OFF BUT IS STILL POWERED BY THE MAINS POWER NETWORK. FOR MAINTENANCE, CLEANING OR OTHER IT IS

en REQUIRED TO COMPLETELY ISOLATE THE HEATER FROM THE MAINS POWER NETWORK (Fig. 24).

►► 13. CONNECTING THE REMOTE ROOM THERMOSTAT

••IMPORTANT: When the heater is controlled by a remote room thermostat, the heater can switch back on at any time when the temperature drops below the set threshold.

To connect the remote room thermostat, remove the plug connected to the heater and connect the remote room thermostat (optional item) (Fig. 26).

►► 14. CLEANING THE HEATER

••IMPORTANT: Do not conduct any cleaning unless the heater has first been turned off (Fig. 23) and disconnected from the mains (Fig. 24).

The only possible cleaning steps carried out by the user are associated with the heater's outer surfaces. Only use a damp, non-abrasive cloth to clean the outer surface of the heater (do not use sponges with aggressive products or powder detergents). After cleaning the surface, dry it thoroughly.

CAUTION: IF THE HEATER NEEDS MORE THOROUGH CLEANING, CONTACT THE AUTHORISED TECHNICAL SUPPORT CENTRE.

►► 15. PUTTING THE HEATER OUT OF SERVICE

If the heater is not used on the medium/long term, disconnected it from the electricity mains (Fig. 24) and protect it from humidity and dust. When the heater is used again, check the condition of the power supply cable. If in doubt regarding its state, contact the technical support centre. In any case, have the heater checked once a year.

►► 16. OPTIONAL ITEMS

- Outdoor assembly kit (recirculation or air suction mode, depending on the external damper position).
- Remote room thermostat.
- Air outlet opening diffuser.

►► 17.TROUBLESHOOTING

FAULTS	CAUSES	SOLUTIONS
The heater doesn't work	No voltage	1.Check the mains system 2.Check the electrical connections 3.Authorised technical support centre
	Incorrect connection of the room thermostat	1.Connect the room thermostat correctly
The heater doesn't work in heating mode	Tripped room thermostat (optional item)	1.Set the room thermostat at a temperature lower than the room thermostat
	Incorrect connection of the room thermostat	1.Connect the room thermostat correctly
	Room thermostat socket cap not inserted properly	1.Insert the cap properly in the socket
	No gas supply	1.Check the gas system 2.Authorised technical support centre
	Blocked heater	1.Reset the heater by setting the power button to position "0" 2.Authorised technical support centre
	Defective electronic equipment	1.Authorised technical support centre
	Incorrect heater setting	1.Authorised technical support centre
The flame does not stay on	Defective electronic equipment	1.Authorised technical support centre
The flame turns off during normal operation	Tripped room thermostat (optional item)	1.Set the room thermostat at a temperature lower than the room thermostat
	No gas supply	1.Check the gas system 2.Authorised technical support centre
	No voltage	1.Check the mains system 2.Check the electrical connections 3.Authorised technical support centre
	The heater overheats	1.Clean the air inlet (lower side) and reset the manual security thermostat (Fig. 27) 2.The heater's limit operating temperatures are too high 3.The air intake temperatures are too high 4.Extensive exposure to sun light 5.Authorised technical support centre

SOMMARIO PARAGRAFI

1...	DESCRIZIONE
2...	AVVERTENZE
3...	DISIMBALLAGGIO
4...	MOVIMENTAZIONE
5...	POSIZIONAMENTO
6...	COLLEGAMENTO ALLA RETE GAS
7...	COLLEGAMENTO ALLA RETE ELETTRICA
8...	CONVERSIONE AD ALTRO TIPO DI GAS
9...	TIPO DI COMBUSTIBILE
10...	ACCENSIONE
11...	DIAGNOSI SPIA
12...	SPEGNIMENTO
13...	COLLEGAMENTO TERMOSTATO AMBIENTE REMOTO
14...	PULIZIA DEL RISCALDATORE
15...	MESSA FUORI SERVIZIO DEL RISCALDATORE
16...	OPTIONAL
17...	ANOMALIE, CAUSE E RIMEDI

IMPORTANTE: LEGGERE E COMPRENDERE QUESTO MANUALE OPERATIVO PRIMA DI EFFETTUARE L'ASSEMBLAGGIO, LA MESSA IN FUNZIONE O LA MANUTENZIONE DI QUESTO RISCALDATORE. L'USO ERRATO DEL RISCALDATORE PUÒ CAUSARE LESIONI GRAVI. CONSERVARE QUESTO MANUALE A TITOLO DI FUTURO RIFERIMENTO.

►► 1. DESCRIZIONE

Questo riscaldatore a gas, è un prodotto che cede calore all'aria dell'ambiente in cui lavora, utilizzando il gas naturale o il gas propano liquido. È destinato all'installazione fissa interna o esterna previa valutazione degli ambienti e l'utilizzo di appositi Kit. L'aria aspirata da un sistema di ventilazione centrifugo, viene convogliata al bruciatore che controlla la combustione. L'aria, in questo modo, si riscalda e viene reimpressa in ambiente. Questo sistema di combustione diretta, miscela i prodotti della combustione con l'aria aspirata, rilasciandoli in un secondo momento in ambiente. Dato che il volume di aria trattata è maggiore rispetto alle esigenze effettive di combustione. L'aria calda esce con una bassa concentrazione di anidride carbonica.

Questo sistema permette di realizzare un riscaldatore con:

- Massima efficienza termica.
- Bassa inerzia termica.
- Piccole dimensioni e peso.
- Design semplice.
- Massima affidabilità.

E' possibile, mediante una funzione specifica, attivare solo il gruppo di ventilazione, ottenendo la movimentazione dell'aria.

Questo prodotto è identificabile attraverso la targhetta dati applicata al riscaldatore, che riporta in modo indelebile i combustibili gassosi da utilizzare, le specifiche e tutte le informazioni tecniche del riscaldatore. Nel caso la targhetta dati o il manuale d'istruzione venga danneggiato o smarrito, richiedere un duplicato al centro di assistenza tecnica autorizzato.

►► 2. AVVERTENZE

••2.1. **⚠️ IMPORTANTE:** Il costruttore è responsabile della conformità del proprio prodotto alle leggi, direttive o norme di costruzioni vigenti al momento della commercializzazione. La conoscenza e l'osservanza delle disposizioni legislative e delle norme inerenti la progettazione degli impianti, dell'installazione, dell'esercizio e la manutenzione sono ad esclusivo carico, del tecnico abilitato, del centro di assistenza tecnica autorizzato e dell'utente.

••2.2. **⚠️ IMPORTANTE:** Il costruttore non si rende responsabile per l'inosservanza delle istruzioni contenute nel seguente manuale d'istruzione, per le conseguenze di qualsiasi manovra effettuata non specificatamente prevista, o per eventuali traduzioni dalle quali possano derivare errate interpretazioni.

••2.3. **⚠️ IMPORTANTE:** Questo manuale d'istruzione è parte integrante del riscaldatore e di conseguenza deve essere sempre conservato con cura e dovrà sempre accompagnare l'apparecchio, anche in caso di cessione ad altro proprietario o utente. Nel caso che la targhetta dati o il manuale d'istruzione venga danneggiato o smarrito, richiederne un duplicato centro di assistenza tecnica autorizzato.

••2.4. **⚠️ IMPORTANTE:** Questo riscaldatore non è adatto all'uso da parte di persone (incluse bambini) con capacità fisiche, sensoriali e mentali ridotte, o inesperte, a meno che non vengano supervisionate da una persona responsabile per la loro sicurezza. I bambini devono essere controllati, per assicurarsi che non giochino con il riscaldatore. Tenere gli animali a distanza di sicurezza dal riscaldatore.

••2.5. **⚠️ IMPORTANTE:** L'uso improprio di questo riscaldatore può provocare danni o pericolo di vita a persone, lesioni, ustioni, esplosioni, elettroshock

o avvelenamento. I primi sintomi di asfissia da ossido di carbonio assomigliano a quelli dell'influenza, con cefalee, capogiri e/o nausea. Tali sintomi potrebbero essere causati dal funzionamento difettoso del riscaldatore. **NEL CASO SI PRESENTASSERO QUESTI SINTOMI, USCIRE IMMEDIATAMENTE ALL'APERTO** e far riparare il riscaldatore dal centro di assistenza tecnica autorizzato.

••2.6. **⚠️ IMPORTANTE:** È esclusa qualsiasi responsabilità contrattuale ed extracontrattuale del costruttore per danni causati a persone, animali o cose, da errori di installazione, di regolazione e di manutenzione o da usi impropri.

••2.7. **⚠️ IMPORTANTE:** I riferimenti a leggi, normative, direttive e regole tecniche eventualmente citate nel presente manuale d'istruzione, sono da intendersi a puro titolo informativo e da ritenersi valide alla data di stampa dello stesso. L'entrata in vigore di nuove disposizioni o di modifiche a quelle vigenti, non costituirà motivo di obbligo del costruttore nei confronti di terzi.

••2.8. **⚠️ IMPORTANTE:** Il posizionamento e il fissaggio del riscaldatore, deve essere eseguito da personale qualificato. L'allacciamento alla rete gas e alla rete elettrica deve essere eseguita da un tecnico abilitato che a fine lavoro, rilascerà al proprietario la dichiarazione di conformità di installazione realizzata a regola d'arte, cioè in ottemperanza alle norme vigenti ed alle indicazioni fornite dal costruttore nel presente manuale d'istruzione. Le operazioni che prevedano l'accesso a parti pericolose (manutenzione, riparazione, ecc.) devono essere svolte dal centro di assistenza tecnica autorizzato, in modo da prevenire ogni rischio.

••2.9. **⚠️ IMPORTANTE:** Il riscaldatore è sprovvisto di regolatori gas o tubazioni di connessione alla rete fissa e pertanto

è necessario rivolgersi ad un tecnico abilitato per l'installazione.

••2.10.⚠️**IMPORTANTE:** Il riscaldatore è fornito con un settaggio gas specifico. Qualsiasi tipo di trasformazione e regolazione deve essere effettuato da un tecnico abilitato o dal centro di assistenza tecnica autorizzato. **A FRONTE DI TRASFORMAZIONI E REGOLAZIONI, DEVE ESSERE COMPILATA LA TARGHETTA DATI NEUTRA FORNITA CON IL RISCALDATORE.**

••2.11.⚠️**IMPORTANTE:** I settaggi delle pressioni gas di alimentazione, devono essere verificate da un tecnico abilitato.

••2.12.⚠️**IMPORTANTE:** Il riscaldatore deve essere installato esclusivamente secondo le istruzioni contenute in questo manuale d'istruzione, in modo da evitare rischi di incendio.

••2.13.⚠️**IMPORTANTE:** Non utilizzare per il riscaldamento delle aree abitabili di edifici residenziali; per l'uso in edifici pubblici, fare riferimento ai regolamenti nazionali.

••2.14. Per un corretto uso del riscaldatore e per la conservazione del combustibile, attenersi a tutte le ordinanze locali ed alla normativa vigente.

••2.15. Il riscaldatore, se installato all'interno, necessita di un adeguato ricambio di aria. Pertanto esso va impiegato in ambienti con ricambio d'aria assicurato e continuo. Per l'installazione e la valutazione del ricambio d'aria, valgono le norme nazionali vigenti, incluse le norme tecniche e le disposizioni in materia antinfortunistica e di prevenzione degli incendi.

••2.16. L'apparecchio deve essere usato solamente come riscaldatore d'aria calda (modalità riscaldamento), o ventilatore (modalità ventilazione). Per l'utilizzo seguire scrupolosamente le presenti istruzioni.

••2.17. Alimentare il riscaldatore solamente con combustibile, pressione gas,

tensione e frequenza elettrica espressamente specificata nella terghetta dati applicata al riscaldatore.

••2.18. Assicurarsi di collegare il riscaldatore solo a reti elettriche opportunamente dotate di interruttore differenziale e di adeguata messa a terra.

••2.19. È assolutamente vietato usare il riscaldatore in ambienti seminterrati o sotto il livello del suolo.

••2.20. Il riscaldatore non deve essere usato in ambienti in cui sono presenti polveri esplosive, fumi, gas, combustibili, solventi, vernici, ecc..

••2.21. Qualora il riscaldatore sia utilizzato in prossimità di teloni, tende o materiali simili di copertura, si consiglia di usare protezioni aggiuntive di tipo ignifugo. Avere cura di mantenere una distanza adeguata, che in nessun caso deve essere inferiore a 3 m da materiali infiammabili (stoffa, carta, legno, ecc.) o termolabili (compreso il cavo di alimentazione), dalle parti calde del riscaldatore.

••2.22. Per qualsiasi motivo è vietato ostruire completamente o parzialmente, la presa d'aria (lato inferiore) e/o la bocca d'uscita aria (lato frontale). È possibile utilizzare delle canalizzazioni dell'aria dal/al riscaldatore. Le uniche autorizzate sono quelle fornite come optional dal costruttore.

••2.23. Nel caso di mancata accensione o accensione anomala del riscaldatore, consultare l'apposita sezione (Paragrafo "Anomalie, cause e rimedi").

••2.24. Il riscaldatore quando è in funzione non deve mai essere spostato, maneggiato, né soggetto ad alcun intervento di manutenzione.

••2.25. Durante il funzionamento del riscaldatore o con riscaldatore fermo e in tensione, è vietato aprire le porte laterali di ispezione, ed eseguire operazioni al suo interno.

••2.26. Se viene percepito odore di gas, spegnere subito il riscaldatore, inter-

rompere l'alimentazione del gas, scollegare il riscaldatore dalla rete elettrica, areare il locale aprendo porte e finestre, successivamente contattare il centro di assistenza tecnica autorizzato.

••2.27. Quando il riscaldatore è controllato da un termostato ambiente remoto (optional), può riaccendersi in qualsiasi momento, quando la temperatura scende sotto la soglia impostata.

••2.28. Qualora si verificassero lunghi periodi di inattività del riscaldatore, si consiglia di consultare il centro di assistenza tecnica autorizzato per la rimessa in funzione.

••2.29. Il riscaldatore deve essere equipaggiato esclusivamente con accessori originali. Il costruttore non si rende responsabile di eventuali danni derivanti da usi impropri del riscaldatore e dall'utilizzo di materiali ed accessori non originali.

••2.30. Non modificare o manomettere il riscaldatore, in quanto si possono creare situazioni di pericolo. Il costruttore non sarà responsabile di eventuali danni provocati.

••2.31. E' vietato appoggiare oggetti sul riscaldatore.

••2.32. E' vietato inserire oggetti attraverso le griglie del riscaldatore.

••2.33. E' vietato toccare la griglia di uscita dell'aria, in quanto durante il normale funzionamento può raggiungere temperature elevate, che possono causare lesioni gravi.

••2.34. E' vietato utilizzare adattatori, prese multiple e prolunghes per collegare il riscaldatore alla rete elettrica.

••2.35. E' vietata qualsiasi operazione di pulizia e manutenzione, prima di aver scollegato il riscaldatore dalla rete elettrica e dall'alimentazione del combustibile.

••2.36. Far verificare dal centro di assistenza tecnica autorizzato almeno una volta all'anno e/o secondo l'esigenza, il corretto funzionamento del riscaldatore.

▶▶ 3. DISIMBALLAGGIO

È VIETATO GETTARE, LASCIARE IN POSA O ALLA PORTATA DEI BAMBINI I MATERIALI (CARTONE, PLASTICA DI IMBALLAGGIO, BORSE, ECC.), PERCHÉ POSSONO RAPPRESENTARE UN PERICOLO.

Rimuovere tutti i materiali di imballaggio usati per confezionare e spedire il riscaldatore e smaltirli secondo le norme vigenti. Controllare eventuali danni subiti durante il trasporto. Se il riscaldatore appare danneggiato, informare immediatamente il concessionario.

▶▶ 4. MOVIMENTAZIONE

LA MOVIMENTAZIONE DEL RISCALDATORE DEVE ESSERE EFFETTUATA DA PERSONALE QUALIFICATO UTILIZZANDO DISPOSITIVI E STRUMENTI IDONEI, SECONDO LA REGOLAMENTAZIONE NAZIONALE E IN LINEA CON LE NORME VIGENTI.

▶▶ 4.1. MOVIMENTAZIONE DEL RISCALDATORE CON IMBALLO

È possibile sollevarlo con il carrello elevatore, posizionando dei supporti sotto la base inferiore dell'imballo.

▶▶ 4.2. MOVIMENTAZIONE DEL RISCALDATORE SENZA IMBALLO

È possibile sollevarlo con il carrello elevatore, posizionando dei supporti sotto la base inferiore dell'imballo o tramite l'utilizzo di catene e di ganci di sospensione.

▶▶ 5. POSIZIONAMENTO (Fig. 1)

LEGGERE ATTENTAMENTE LE AVVERTENZE E SEGUIRE LE RACCOMANDAZIONI CONTENUTE IN QUESTO MANUALE D'ISTRUZIONE PRIMA E DURANTE L'INSTALLAZIONE.

IL POSIZIONAMENTO DEL RISCALDATORE DEVE ESSERE EFFETTUATO DA PERSONALE QUALIFICATO UTILIZZANDO DISPOSITIVI E STRUMENTI IDONEI, SECONDO LA REGOLAMENTAZIONE NAZIONALE E IN LINEA CON LE NORME VIGENTI.

••**IMPORTANTE:** Non alimentare il riscaldatore prima che l'installazione sia completata, al fine di evitare danni a cose e/o a persone.

Questo riscaldatore è stato progettato per poter essere installato internamente o esternamente all'edificio. L'installazione esterna è possibile esclusivamente utilizzando l'apposito kit originale (Paragrafo "Optional"). Prima di procedere con il posizionamento del riscaldatore, assicurarsi di aver individuato la corretta posizione per l'installazione, lontano da materiali infiammabili, mantenendo un'opportuna distanza da terra, in modo da non ostruire, neanche parzialmente, la griglia di aspirazione aria, posta sul fondo del riscaldatore. Per questo motivo verificare l'adeguata distanza della griglia dal terreno o da materiali che possano essere aspirati. Il luogo di installazione dovrà essere facilmente accessibile, per favorire le normali operazioni di manutenzione e controllo. È fondamentale che il riscaldatore sia fissato in modo sicuro e definitivo alla struttura. È vietato agganciare ulteriori pesi al riscaldatore.

► 5.1. INSTALLAZIONE INTERNA A SOFFITTO (Fig. 2-3)

Ogni catena e ogni gancio di sospensione deve supportare un peso minimo di 100 Kg. Il piano di fissaggio (per esempio il soffitto), deve supportare un peso minimo di 200 Kg. L'angolo tra le catene deve essere positivo e di un valore tale da garantire la stabilità, al fine di evitare pericolosi pendolamenti.

► 5.2. INSTALLAZIONE INTERNA A MURO (Fig. 4)

Ogni tassello a muro deve supportare un tiro di minimo 200 Kg. La struttura muraria deve supportare il peso del riscaldatore posto sulle staffe.

► 5.3. INSTALLAZIONE ESTERNA A MURO (Fig. 5)

Ogni tassello a muro deve supportare un tiro di minimo 200 Kg. La struttura muraria deve supportare il peso del riscaldatore posto sulle staffe. L'installazione dei condotti di aspirazione e rilancio dell'aria devono seguire le specifiche descritte all'interno del kit originale (Paragrafo "Optional").

►► 6. COLLEGAMENTO ALLA RETE GAS (Fig. 6)

LEGGERE ATTENTAMENTE LE AVVERTENZE E SEGUIRE LE RACCOMANDAZIONI CONTENUTE IN QUESTO MANUALE D'ISTRUZIONE PRIMA E DURANTE L'INSTALLAZIONE.

LA REALIZZAZIONE DELLA LINEA DI ALIMENTAZIONE GAS E DELL'ALLACCIAMENTO DEVE ESSERE EFFETTUATA DA UN TECNICO ABILITATO UTILIZZANDO DISPOSITIVI E STRUMENTI IDONEI, SECONDO LA REGOLAMENTAZIONE NAZIONALE E IN LINEA CON LE NORME VIGENTI.

Il riscaldatore è progettato per funzionare con diversi tipi di gas, ma viene fornito con un specifico settaggio di fabbrica (vedi targhetta dati applicata al riscaldatore). Non superare mai i valori massimi di pressione di alimentazione riportati sulla targhetta dati al fine di evitare danni gravi al riscaldatore. Il regolatore gas deve essere installato all'esterno dell'edificio da riscaldare e deve garantire la fornitura con una pressione coerente alla normativa nazionale e alle specifiche tecniche del riscaldatore. L'instal-

lazione interna del regolatore è possibile solo in area opportunamente ventilata. Le normative nazionali vi aiuteranno ad individuare la corretta installazione.

Procedere con il collegamento del riscaldatore alla rete gas facendo massima attenzione alle tipologie di connessione (filettatura ISO 7-1:1994 adatta a tenuta su filetto conico) (è fondamentale che il dimensionamento delle tubazioni gas, la loro posizione e il loro ancoraggio siano adeguate). Durante la prima accensione controllare con un cerca fughe approvato, eventuali perdite dovute ad un serraggio non corretto o ad un danno al circuito di alimentazione gas.

►► 7. COLLEGAMENTO ALLA RETE ELETTRICA

LEGGERE ATTENTAMENTE LE AVVERTENZE E SEGUIRE LE RACCOMANDAZIONI CONTENUTE IN QUESTO MANUALE D'ISTRUZIONE PRIMA E DURANTE L'INSTALLAZIONE.

LA REALIZZAZIONE DELLA LINEA DI ALIMENTAZIONE ELETTRICA E DELL'ALLACCIAMENTO DEVE ESSERE EFFETTUATA DA UN TECNICO ABILITATO UTILIZZANDO DISPOSITIVI E STRUMENTI IDONEI, SECONDO LA REGOLAMENTAZIONE NAZIONALE E IN LINEA CON LE NORME VIGENTI.

••**IMPORTANTE:** Il riscaldatore deve essere collegato ad un opportuno sistema di controllo differenziale e magnetotermico, che garantisce l'interruzione dell'alimentazione elettrica nel caso di anomalie del riscaldatore. Per il funzionamento del riscaldatore, è fondamentale verificare la perfetta connessione della messa a terra all'apparecchio.

Il riscaldatore è fornito con un connettore specifico (Fig. 7) che dopo essere stato opportunamente cablato con un cavo alla rete elettrica, permette il rapido collegamento al riscaldatore. È consigliato l'utilizzo di un cavo da 1,5 mm² (AWG 16) di tipo H07 con una lunghezza non superiore ai 5 m. Dopo essersi assicurati di aver isolato il riscaldatore dalla rete gas, aprire il connettore specifico e collegare i cavi di alimentazione (Fig. 8). Al fine di evitare gravi danni, si consiglia di verificare il completo inserimento del connettore specifico al riscaldatore, bloccandolo con la leva di sicurezza (Fig. 9).

►► 8. CONVERSIONE AD ALTRO TIPO DI GAS

LEGGERE ATTENTAMENTE LE AVVERTENZE E SEGUIRE LE RACCOMANDAZIONI CONTENUTE IN QUESTO MANUALE D'ISTRUZIONE PRIMA E DURANTE L'INSTALLAZIONE.

LA CONVERSIONE AD ALTRO TIPO DI GAS DEVE ESSERE SVOLTA DA UN TECNICO ABILITATO O DAL CENTRO DI ASSISTENZA TECNICA AUTORIZZATO UTILIZZANDO DISPOSITIVI E STRUMENTI IDONEI, SECONDO LA REGOLAMENTAZIONE NAZIONALE E IN LINEA CON LE NORME VIGENTI.

••**IMPORTANTE:** L'operazione di conversione deve essere eseguita dopo aver chiuso ed isolato il riscaldatore dalla rete gas e dalla rete elettrica (Fig. 24).

I tipi di gas compatibili con questo riscaldatore sono riassunti nell'etichetta tipologia gas. Il settaggio gas, prima della conversione del riscaldatore, è identificabile dalla targhetta dati applicata al riscaldatore. A conversione gas completata, si dovrà riportare in modo indelebile i parametri del nuovo settaggio sulla targhetta dati neutra a corredo, per

poi andarla ad applicare al riscaldatore. I passaggi per la conversione ad altro gas combustibile, si riassumono nei seguenti:

► 8.1.RIMOZIONE DEL TUBO DI COLLEGAMENTO VALVOLA E PORTA UGELLO, RIMOZIONE DEL PORTA UGELLO, RIMOZIONE DELL'UGELLO

PROCEDURA:

- 8.1.1.Rimuovere il girello stringi ogiva lato valvola (Fig. 10).
- 8.1.2.Rimuovere la vite di fissaggio porta ugello (Fig. 11).
- 8.1.3.Sfilare il porta ugello e il tratto di tubo gas (Fig. 12).
- 8.1.4.Rimuovere l'ugello gas (Fig. 13).

ATTENZIONE: SI RACCOMANDA DI CONSERVARE CON CURA TUTTI I COMPONENTI (GUARNIZIONI, OGIVE, ECC.).

► 8.2.SELEZIONE DELL'UGELLO

Selezionare il corretto ugello:

Ugello GPL = Diametro 5 mm

Ugello G20 = Diametro 10 mm

Ugello G25 = Diametro 10 mm

► 8.3.RIPRISTINO DEL TUBO DI COLLEGAMENTO VALVOLA E PORTA UGELLO, RIPRISTINO DEL PORTA UGELLO, RIPRISTINO DELL'UGELLO

PROCEDURA:

- 8.3.1.Fissare a tenuta l'ugello al porta ugello, verificando che l'ugello scelto sia corretto per la trasformazione voluta (Fig. 13).
 - 8.3.2.Inserire il porta ugello completo di tubo sotto il bruciatore, fissandolo con la vite al basamento (Fig. 12-11).
 - 8.3.3.Serrare il raccordo stringi ogiva alla valvola gas (Fig. 10).
 - 8.3.4.Verificare la tenuta delle connessioni.
- ATTENZIONE: NEL CASO DI UTILIZZO DI GAS G20-G25, INSTALLARE IL COLLARE DI RIDUZIONE ARIA (Fig. 14). QUESTO COLLARE È NECESSARIO ESCLUSIVAMENTE PER LE TIPOLOGIE GAS G20-G25.

► 8.4.REGOLAZIONE DELLA PRESSIONE IN USCITA DALLA VALVOLA GAS MULTIFUNZIONE

ATTENZIONE: L'OPERAZIONE DI REGOLAZIONE DEVE ESSERE EFFETTUATA IN MODO RAPIDO E PRECISO.

Dopo aver assemblato il condotto con il nuovo ugello è necessario settare la valvola gas multifunzione del riscaldatore, con la pressione di alimentazione corretta. La regolazione della pressione deve avvenire con il riscaldatore in funzione e il gas allacciato. Prima di iniziare le operazioni di regolazione assicurarsi di alimentare il riscaldatore con il tipo gas coerente con l'ugello installato.

PROCEDURA:

- 8.4.1.Individuare il punto di prelievo della pressione in uscita alla valvola gas e rimuovere la vite di serraggio (Fig. 15).
- 8.4.2.Collegare una tubazione in gomma flessibile assicurandosi la perfetta tenuta (Fig. 16). Considerando che le pressioni di taratura sono minime, utilizzare un manometro differenziale con elevata precisione o meglio un manometro a colonna d'acqua.
- 8.4.3.Rimuovere il coperchio a protezione (Fig. 17) e individuare la vite di rotazione che permette la regolazione della pressione sulla valvola gas.
- 8.4.4.Preparare l'utensile specifico per agire sul perno di regolazione.
- 8.4.5.Accendere il riscaldatore e attendere alcuni secondi di prelavaggio. Dopo questo tempo viene aperto il gas e si innesca la fiamma. In questo preciso momento è necessario ruotare il perno (Fig. 18), fino a raggiungere la pressione di uscita richiesta (rotazione oraria incremento, rotazione antioraria decremento). Dopo aver regolato la pressione, è consigliato ripetere il ciclo di accensione per tre volte con le porte di ispezione chiuse riverificando la pressione di uscita della valvola gas. Prima di

completare l'operazione di conversione gas, è necessario verificare che i raccordi e la tubazione gas sono a tenuta.

•8.4.6.A conversione gas completata, si dovrà riportare in modo indelebile i parametri del nuovo settaggio sulla targhetta dati neutra a corredo (Fig. 19), per poi andarla ad applicare al riscaldatore.

►► 9.TIPO DI COMBUSTIBILE

USARE SOLO GAS DELLA CATEGORIA INDICATA NELL'ADESIVO TIPOLOGIA GAS AL FINE DI EVITARE GRAVI DANNI AL RISCALDATORE.

►► 10.ACCENSIONE (Istruzioni per l'accensione, la ventilazione e il riscaldamento) (Fig. 20)

LEGGERE ATTENTAMENTE LE AVVERTENZE E SEGUIRE LE RACCOMANDAZIONI CONTENUTE IN QUESTO MANUALE D'ISTRUZIONE DURANTE L'UTILIZZO.

LA PRIMA ACCENSIONE DEVE ESSERE SVOLTA DA UN TECNICO ABILITATO O DAL CENTRO DI ASSISTENZA TECNICA AUTORIZZATO.

••IMPORTANTE: Prima della prima accensione, controllare che all'interno del riscaldatore non vi siano residui di imballo o accessori.

••IMPORTANTE: Prima dell'accensione verificare che il riscaldatore sia installato correttamente (la connessione gas, la pressione di ingresso e la connessione elettrica siano coerenti alle normative vigenti e che rispettino quanto dichiarato nella targhetta dati) e che non vi sia nulla che ostruisce il circuito dell'aria.

••IMPORTANTE: Durante la prima accensione controllare con un cerca fughe approvato, eventuali perdite dovute ad un serrag-

gio non corretto o ad un danno al circuito di alimentazione gas.

Il riscaldatore può funzionare in modalità ventilazione o in modalità riscaldamento. Per azionare la modalità ventilazione, portare il pulsante nella posizione "VENTOLA" (Fig. 21), in questo modo il riscaldatore avvia solamente il motore tenendo chiuso il circuito gas. Se si desidera avviare la modalità riscaldamento, portare il pulsante nella posizione "FIAMMA" (Fig. 22). Il riscaldatore, dopo aver azionato il solo ventilatore per garantire il pre-lavaggio della camera di combustione per circa 30 secondi, apre il circuito gas e avvia la scintilla, innescando la combustione.

Se si verifica la mancata accensione per più di tre volte, il riscaldatore va in blocco. Per resettare il riscaldatore portare il pulsante di accensione in posizione "O" (Fig. 23) e scollegare il cavo dell'alimentazione (Fig. 24). Una analisi preventiva delle possibili cause è riassunta nella tabella anomalie (Paragrafo "Anomalie, cause e rimedi").

ATTENZIONE: SE SI VERIFICA LA MANCATA ACCENSIONE PER PIÙ DI TRE VOLTE, È NECESSARIO VERIFICARE LA CAUSA TRAMITE IL CENTRO DI ASSISTENZA TECNICA AUTORIZZATO.

►► 11.DIAGNOSI SPIA

Sul riscaldatore è installata una spia per monitorare il funzionamento del riscaldatore (Fig. 25):

- SPIA SPENTA (normale condizione): Significa che il riscaldatore è spento o in regolare funzionamento.
- SPIA ACCESA IN CONTINUO: Significa che il riscaldatore è in blocco.

►► 12.SPEGNIMENTO

Se si desidera spegnere il riscaldatore portare il pulsante nella posizione "O" (Fig. 23). **ATTENZIONE: QUANDO IL PULSANTE È IN POSIZIONE "O", IL RISCALDATORE È SPENTO, MA È ANCORA ALIMENTATO DALLA RETE ELETTRICA, PER ISOLARE COMPLETAMENTE L'APPARECCHIO DALLA RETE ELETTRICA PER MANUTENZIONI, PULIZIA O ALTRO È NECESSARIO SCOLLEGARE IL CAVO DELL'ALIMENTAZIONE (Fig. 24).**

►► 13.COLLEGAMENTO TERMOSTATO AMBIENTE REMOTO

••**IMPORTANTE:** Quando il riscaldatore è controllato da un termostato ambiente remoto, può riaccendersi in qualsiasi momento, quando la temperatura scende sotto la soglia impostata.

Per collegare il termostato ambiente remoto rimuovere il tappo collegato al riscaldatore e connettere il termostato ambiente remoto (optional) (Fig. 26).

►► 14.PULIZIA DEL RISCALDATORE

••**IMPORTANTE:** È vietato effettuare qualsiasi operazione di pulizia, se il riscaldatore non viene prima spento (Fig. 23) e scollegato dall'alimentazione (Fig. 24).

Le uniche operazioni possibili di pulizia da parte dell'utente riguardano le superfici esterne del riscaldatore. Pulire la parte esterna del riscaldatore solo con un panno umido e non abrasivo (non usare spugne con prodotti aggressivi o detergenti in polvere). Dopo la pulizia, asciugare accuratamente la superficie.

ATTENZIONE: INCASO IL RISCALDATORE NECESSITI DI UNA PULIZIA PIÙ

APPROFONDIRI, RIVOLGERSI AL CENTRO DI ASSISTENZA TECNICA AUTORIZZATO.

►► 15.MESSA FUORI SERVIZIO DEL RISCALDATORE

Se il riscaldatore non viene utilizzato per un medio-lungo periodo, scollegare il riscaldatore dalla rete elettrica (Fig. 24) proteggendolo dall'umidità e dalla polvere. Quando il riscaldatore viene riutilizzato, controllare lo stato di manutenzione del cavo elettrico; se avete dubbi sulla buona conservazione fate intervenire il centro di assistenza tecnica autorizzato. In ogni caso far verificare il riscaldatore una volta l'anno.

►► 16.OPTIONAL

- Kit montaggio per esterno (con modalità ricircolo o aspirazione aria dall'esterno in base alla posizione della serranda).
- Termostato ambiente remoto.
- Diffusore bocca uscita aria.

►► 17.ANOMALIE, CAUSE E RIMEDI

ANOMALIE	CAUSE	RIMEDI
Il riscaldatore non funziona	Mancata tensione	1.Verificare l'impianto di rete 2.Verificare i collegamenti elettrici 3.Centro di assistenza tecnica autorizzato
	Errato collegamento del termostato ambiente	1.Collegare correttamente il termostato ambiente
Il riscaldatore non funziona in modalità riscaldamento	Intervento termostato ambiente (optional)	1.Impostare il termostato ambiente ad una temperatura più bassa della temperatura ambiente
	Errato collegamento del termostato ambiente	1.Collegare correttamente il termostato ambiente
	Cappuccio presa termostato ambiente inserito male	1.Inserire correttamente il cappuccio alla presa
	Mancata alimentazione gas	1.Verificare l'impianto gas 2.Centro di assistenza tecnica autorizzato
	Riscaldatore in blocco	1.Ripristinare il riscaldatore scollegandolo e ricollegandolo alla rete elettrica 2.Centro di assistenza tecnica autorizzato
	Apparecchiatura elettronica difettosa	1.Centro di assistenza tecnica autorizzato
	Errata taratura del riscaldatore	1.Centro di assistenza tecnica autorizzato
La fiamma non rimane accesa	Apparecchiatura elettronica difettosa	1.Centro di assistenza tecnica autorizzato
La fiamma si spegne durante il normale funzionamento	Intervento termostato ambiente (optional)	1.Impostare il termostato ambiente ad una temperatura più bassa della temperatura ambiente
	Mancata alimentazione gas	1.Verificare l'impianto gas 2.Centro di assistenza tecnica autorizzato
	Mancata tensione	1.Verificare l'impianto di rete 2.Verificare i collegamenti elettrici 3.Centro di assistenza tecnica autorizzato
	Surriscaldamento del riscaldatore	1.Pulire la presa d'aria (lato inferiore) e riarmare il termostato di sicurezza manuale (Fig. 27) 2.Temperature limite di utilizzo del riscaldatore troppo elevata 3.Temperature aspirazione aria troppo elevata 4.Elevata esposizione all'irraggiamento solare 5.Centro di assistenza tecnica autorizzato

ZUSAMMENFASSUNG DER ABSCHNITTE

1...	BESCHREIBUNG
2...	WARNHINWEISE
3...	AUSPACKEN
4...	HANDLING
5...	AUFSTELLUNG
6...	ANSCHLUSS AN DAS GASNETZ
7...	ANSCHLUSS AN DAS STROMNETZ
8...	UMRÜSTUNG AUF ANDERE GASSORTEN
9...	BRENNSTOFFSORTE
10...	INBETRIEBNAHME
11...	DIAGNOSE KONTROLLLAMPE
12...	ABSCHALTEN
13...	ANSCHLUSS FERNRAUMTHERMOSTAT
14...	REINIGUNG DES HEIZGERÄTS
15...	AUSSERBETRIEBNAHME DES HEIZGERÄTS
16...	OPTIONAL
17...	STÖRUNGEN, URSACHEN UND ABHILFEN

WICHTIGER HINWEIS: DIESE BEDIENUNGSANLEITUNG MUSS VOR ZUSAMMENBAU, INBETRIEBSETZUNG ODER WARTUNG DIESES HEIZGERÄTES GELESEN UND VERSTANDEN WORDEN SEIN. FALSCHER GEBRAUCH DES HEIZGERÄTES KANN ZU SCHWEREN VERLETZUNGEN FÜHREN. BEWAHREN SIE DIESE ANLEITUNG ZUM SPÄTEREN NACHSCHLAGEN GUT AUF.

►► 1. BESCHREIBUNG

Unter Verwendung von Erdgas oder Flüssigpropan gibt dieses Gasheizgerät Wärme in die Luft des Arbeitsbereichs ab. Nach Bewertung der Umgebung und unter Verwendung eigens hierfür vorgesehener Bausätze kann das Gerät in Innen- oder Außenbereichen installiert werden. Die durch ein zentrifugales Belüftungssystem angesaugte Luft wird dem Brenner zugeführt, der die Verbrennung kontrolliert. Auf diese Weise wird die Luft geheizt und dann erneut in die Umgebung eingelassen. Dieses direkte Verbrennungssystem mischt die Verbrennungsprodukte mit der angesaugten Luft und lässt sie dann in die Umgebung einströmen. Das behandelte Luftvolumen ist größer als die effektiven Anforderungen der Verbrennung. Die heiße

Luft strömt mit einer niedrigen Kohlendioxidkonzentration aus.

Dieses System gestattet die Herstellung eines Heizgeräts mit:

- Höchstem Wärmewirkungsgrad.
- Geringer Wärmeträgheit.
- Reduzierten Abmessungen und Gewicht.
- Einfachem Design.
- Maximaler Zuverlässigkeit.

Über eine spezifische Funktion ist es möglich, nur die Belüftungsgruppe zu aktivieren, die die Luft in Bewegung setzt.

Das Produkt ist durch das Typenschild am Heizgerät identifizierbar, das auf unauslöschliche Weise die zu verwendenden Gasbrennstoffe, die Spezifikationen und sämtliche technischen Informationen des Heizgeräts anführt. Falls das Typenschild oder die

Anleitung beschädigt oder verloren gehen sollten muss beim autorisierten Kundendienst eine Kopie angefordert werden.

►► 2. WARNHINWEISE

••2.1. **⚠ WICHTIGER HINWEIS:** Der Hersteller ist für die Konformität seines Produktes mit den geltenden Gesetzen, Richtlinien oder Baunormen zum Zeitpunkt der Vermarktung verantwortlich. Die Kenntnis und die Beachtung der gesetzlichen Vorschriften und der Normen bezüglich der Planung von Anlagen, der Installation, des Betriebs und der Wartung gehen ausschließlich zu Lasten des qualifizierten Technikers, des autorisierten Kundendienstes und des Benutzers.

••2.2. **⚠ WICHTIGER HINWEIS:** Der Hersteller haftet nicht für die Nichtbeachtung der in der folgenden Anleitung enthaltenen Anweisungen, für die Folgen sämtlicher, nicht ausdrücklich vorgesehener Vorgänge oder für etwaige Übersetzungen, die zu Fehlinterpretationen führen könnten.

••2.3. **⚠ WICHTIGER HINWEIS:** Die vorliegende Anleitung ist Bestandteil des Heizgeräts und muss daher immer sorgfältig und zusammen mit dem Gerät aufbewahrt werden, auch bei Übertragung auf einen anderen Besitzer oder Benutzer. Falls das Typenschild oder die Anleitung beschädigt oder verloren gehen sollten muss beim autorisierten Kundendienst eine Kopie angefordert werden.

••2.4. **⚠ WICHTIGER HINWEIS:** Dieses Gerät ist nicht geeignet für den Gebrauch durch Personen (einschließlich Kindern) mit eingeschränkten körperlichen, sensorischen und geistigen Fähigkeiten bzw. ohne ausreichende Fachkenntnis, es sei denn, sie werden durch eine für ihre Sicherheit verantwortliche Person beaufsichtigt. Kinder sind zu beaufsichtigen, damit sie nicht mit dem Gerät spielen.

Halten Sie Haustiere in einem sicheren Abstand vom Gerät.

••2.5. **⚠ WICHTIGER HINWEIS:** Unsachgemäßer Gebrauch des Heizgerätes kann zu selbst lebensgefährlichen Verletzungen an Personen führen, die durch Verbrennungen, Abschürfungen, Explosionen, Elektroschocks oder Vergiftungen hervorgerufen werden. Die ersten Anzeichen einer Kohlenmonoxidvergiftung sind denen von Grippe mit Kopfschmerzen, Schwindel bzw. Übelkeit ähnlich. Diese Symptome können auf eine Betriebsstörung des Heizgeräts zurückzuführen sein. **SOLLTEN DIESE SYMPTOME AUFTRETEN, SOFORT INS FREIE GEHEN** und das Heizgerät durch den autorisierten Kundendienst reparieren lassen.

••2.6. **⚠ WICHTIGER HINWEIS:** Jegliche vertragliche und außervertragliche Verantwortung der Hersteller für Schäden an Personen, Tieren oder Gegenständen, die durch unsachgemäße Installation, Einstellung oder Gebrauch verursacht wurden, ist ausgeschlossen.

••2.7. **⚠ WICHTIGER HINWEIS:** Die in der vorliegenden Anleitung zitierten Bezüge auf Gesetze, Normen, Richtlinien und technische Regeln sind nur informationshalber angegeben und sind am Druckdatum der Anleitung als gültig zu erachten. Das Inkrafttreten neuer Bestimmungen oder Änderungen stellt keine Verpflichtung des Herstellers gegenüber Dritten dar.

••2.8. **⚠ WICHTIGER HINWEIS:** Die Aufstellung und Befestigung des Heizgeräts muss durch qualifiziertes Personal ausgeführt werden. Der Anschluss an die Strom- und Gasnetze muss von einem qualifizierten Techniker ausgeführt werden, der nach beendeter Arbeit dem Besitzer eine Konformitätserklärung für die fachgerechte Installation ausstellt, d.h. in Übereinstimmung mit den geltenden Normen und mit den in der vorliegen-

den Anleitung enthaltenen Anweisungen des Herstellers. Um Risiken zu vermeiden müssen Eingriffe, die Zugang zu gefährlichen Teilen voraussetzen (Wartung, Reparaturen, usw.) durch den autorisierten Kundendienst ausgeführt werden.

••2.9. ⚠️ WICHTIGER HINWEIS: Das Heizgerät verfügt nicht über Gasregler oder Anschlussrohre an das feststehende Netz, es ist daher notwendig, für die Installation einen qualifizierten Techniker zu Hilfe zu ziehen.

••2.10. ⚠️ WICHTIGER HINWEIS: Das Heizgerät wird mit einer spezifischen Gaseinstellung geliefert. Jegliche Änderungen und Einstellungen müssen von einem qualifizierten Techniker oder von dem autorisierten Kundendienst ausgeführt werden. **BEI ÄNDERUNGEN UND NEUEN EINSTELLUNGEN MUSS DAS LEERE, ZUSAMMEN MIT DEM HEIZGERÄT GELIEFERTE TYPENSCHILD KOMPILIERT WERDEN.**

••2.11. ⚠️ WICHTIGER HINWEIS: Die Einstellungen des Versorgungsgasdrucks müssen von einem qualifizierten Techniker überprüft werden.

••02.12. ⚠️ WICHTIGER HINWEIS: Um Brandgefahr zu vermeiden darf das Heizgerät ausschließlich entsprechend den in der vorliegenden Anleitung enthaltenen Anweisungen installiert werden.

••02.13. ⚠️ WICHTIGER HINWEIS: Das Gerät darf nicht zum Heizen von Wohnräumen und Wohnhäusern verwendet werden. Für die Verwendung in öffentlichen Gebäuden gelten die örtlichen Bestimmungen.

••2.14. Für einen ordnungsgemäßen Gebrauch des Heizgeräts und die Aufbewahrung des Brennstoffes sind die örtlichen Bestimmungen und die geltenden Normen zu befolgen.

••2.15. Bei Installation in Innenbereichen erfordert der einwandfreie Betrieb des Heizgerätes eine zweckmäßige Luftzirkulation. Daher darf dieses nur in Bereichen

mit kontinuierlicher und sichergestellter Luftzirkulation betrieben werden. Für die Installation und die Einschätzung der Luftzirkulation gelten die örtlichen Vorschriften sowie die technischen Normen und Vorschriften zur Unfall- sowie Brandverhütung.

••2.16. Das Gerät darf ausschließlich als Warmluftheizer (Heizmodus) oder zur Ventilation (Ventilationsmodus) verwendet werden. Bei der Verwendung hat man sich genau an die vorliegenden Anweisungen zu halten.

••2.17. Das Heizgerät darf nur mit den auf dem Typenschild ausdrücklich angegebenen Daten zu Brennstoff, Gasdruck, Spannung und Stromfrequenz versorgt werden.

••2.18. Sicherstellen, dass das Gerät nur an Stromnetze mit FI-Schutzschalter und geeigneter Erdung angeschlossen ist.

••2.19. Es ist absolut verboten, das Heizgerät in einem Souterrain oder in Räumen unterhalb der Geländeebene zu verwenden.

••2.20. Das Heizgerät darf nicht in Räumen verwendet werden, in denen explosive Pulver, Rauch, Gas, Brennstoffe, Lösungsmittel, Lacke, usw. vorhanden sind.

••2.21. Wird das Heizgerät in der Nähe von Decken, Vorhängen oder ähnlichem Abdeckungsmaterial betrieben, ist es empfehlenswert, zusätzliche feuerhemmende Schutzeinrichtungen zu verwenden. Zwischen brennbaren Materialien (Stoffe, Papiere, Holz etc.) bzw. wärmeempfindlichen Stoffen (einschließlich Versorgungskabel) und den heißen Teilen des Geräts ist ein ausreichender Abstand von nicht weniger als 3 m einzuhalten.

••2.22. Die Luftaufnahme (unten) und/oder der Luftauslass (vorne) dürfen auf keinen Fall ganz oder teilweise verstopft werden. Es können Luftkanäle zum Heizgerät/vom Heizgerät weg installiert werden. Es sind ausschließlich die als optionales Zubehör vom Hersteller gelieferten Luftkanäle zulässig.

••2.23.Sollte sich das Heizgerät nicht ordnungsgemäß in Betrieb setzen oder sollten bei der Inbetriebnahme Störungen auftreten, den entsprechenden Abschnitt konsultieren (Abschnitt “Störungen, Ursachen und Abhilfen”).

••2.24.Wenn das Gerät an das Stromnetz angeschlossen oder in Betrieb ist, darf es niemals bewegt oder nachgefüllt oder gewartet werden.

••2.25.Während dem Betrieb, wenn das Heizgerät stillsteht oder unter Spannung ist, dürfen die seitlichen Sichtklappen nicht geöffnet und keine Eingriffe im Innern des Geräts ausgeführt werden.

••2.26.Bei Wahrnehmen von Gasgeruch das Heizgerät unverzüglich abschalten, die Gaszufuhr unterbrechen, das Heizgerät vom Stromnetz trennen, den Raum belüften indem Türen und Fenster geöffnet werden und hiernach der Kundendienst verständigen.

••2.27.Wird das Heizgerät über ein Fernraumthermostat (optionales Zubehör) gesteuert, kann sich dieses jeder Zeit einschalten, wenn die Temperatur unter die eingestellte Grenze fällt.

••2.28.Bei längeren Stillstandszeiten des Heizgeräts wird empfohlen, den autorisierten Kundendienst für die erneute Inbetriebsetzung zu Hilfe zu ziehen.

••2.29.Das Heizgerät darf ausschließlich mit Originalzubehör ausgestattet werden. Der Hersteller haftet nicht für etwaige Schäden, die von unsachgemäßem Gebrauch des Heizgeräts oder von Verwendung nicht originaler Materialien oder Zubehörteile herrühren.

••2.30.Um Gefahrensituationen zu vermeiden darf das Heizgerät weder geändert noch manipuliert werden. Der Hersteller haftet nicht für etwaige verursachte Schäden.

••2.31.Es dürfen keine Gegenstände auf dem Heizgerät abgelegt werden.

••2.32.Es dürfen keine Gegenstände durch die Gitter des Heizgeräts eingeführt werden.

••2.33.Das Luftaustrittsgitter darf nicht berührt werden: im normalen Betrieb erreicht es sehr hohe Temperaturen, die zu schweren Verletzungen führen könnten.

••2.34.Für die Verbindung des Heizgeräts mit dem Stromnetz dürfen keine Adapter, Mehrfachsteckdosen oder Verlängerungskabel verwendet werden.

••2.35.Jegliche Reinigungs- oder Wartungseingriffe sind verboten, solange das Heizgerät nicht vom Stromnetz und von der Gaszufuhr getrennt wurde.

••2.36.Der autorisierte Kundendienst muss den einwandfreien Betrieb des Heizgeräts mindestens einmal jährlich und/oder nach Bedarf überprüfen.

►► 3.AUSPACKEN

VERPACKUNGSMATERIALIEN (KARTON, PLASTIK, TÜTEN, USW.) DÜRFEN NICHT WEGGEWORFEN, LIEGEN GELASSEN ODER IN REICHWEITE VON KINDERN GELASSEN WERDEN, DENN SIE STELLEN EINE POTENTIELLE GEFAHR DAR.

Alle für Verpackung und Versand des Heizgeräts verwendeten Materialien müssen entfernt und vorschriftsgemäß entsorgt werden. Kontrollieren, ob Transportschäden vorliegen. Sollte das Heizgerät beschädigt sein, muss unmittelbar der Vertragshändler kontaktiert werden.

►► 4.HANDLING

DAS HANDLING DES HEIZGERÄTS MUSS DEN ÖRTLICHEN BESTIMMUNGEN UND DEN GELTENDEN VORSCHRIFTEN ENTSPRECHEND VON QUALIFIZIERTEM PERSONAL MIT ANGEMESSENEN VORRICHTUNGEN UND INSTRUMENTEN AUSGEFÜHRT WERDEN.

► 4.1. HANDLING DES HEIZGERÄTS MIT VERPACKUNG

Das Gerät kann mit einem Hubwagen angehoben werden, indem Stützen unter die untere Seite der Verpackung geschoben werden.

► 4.2. HANDLING DES HEIZGERÄTS OHNE VERPACKUNG

Das Gerät kann mit einem Hubwagen angehoben werden, indem Stützen unter die untere Seite der Verpackung geschoben werden oder unter Verwendung von Ketten und Haken.

►► 5. AUFSTELLUNG (Abb. 1)

DIE WARNHINWEISE AUFMERKSAM DURCHLESEN UND DIE EMPFEHLUNGEN DIESER ANLEITUNG VOR UND WÄHREND DER INSTALLATION BEFOLGEN.

DIE AUFSTELLUNG DES HEIZGERÄTS MUSS DEN ÖRTLICHEN BESTIMMUNGEN UND DEN GELTENDEN VORSCHRIFTEN ENTSPRECHEND VON QUALIFIZIERTEM PERSONAL MIT ANGEMESSENEN VORRICHTUNGEN UND INSTRUMENTEN AUSGEFÜHRT WERDEN.

••WICHTIGER HINWEIS: Um Sach- und/oder Personenschäden zu vermeiden darf das Heizgerät nicht angeschlossen werden, bevor die Installation ganz vervollständigt ist.

Dieses Heizgerät wurde für die Installation in Innen- sowie in Außenbereichen entwickelt. Die Installation in Außenbereichen ist nur unter Verwendung des hierfür vorgesehenen Originalsatzes möglich (Abschnitt "Optional"). Bevor mit dem Aufstellen des Heizgeräts fortgefahren wird muss sichergestellt werden, dass die korrekte Position für die Installation ausgewählt wurde: von entzündbaren Materialien entfernt, in angemessenem Abstand vom Fußboden, damit das Luftaustrittsgitter unten am Heizkörper auch nicht teilweise verstopft wird.

Aus diesem Grund muss der angemessene Abstand vom Erdboden oder von ansaugbaren Materialien überprüft werden. Der Installationsort muss leicht zugänglich sein, um Wartungseingriffe und Kontrollen zu erleichtern. Das Heizgerät muss unbedingt auf sichere und endgültige Weise an der Struktur festgemacht sein. Es dürfen keine weiteren Lasten am Heizgerät angehängt werden.

► 5.1. DECKENINSTALLATION INNEN (Abb. 2-3)

Jede Kette und jeder Haken muss ein Mindestgewicht von 100 kg tragen können. Die Befestigungsfläche (zum Beispiel die Decke) muss ein Mindestgewicht von 200 kg tragen können. Der Winkel zwischen den Ketten muss positiv sein und Stabilität gewährleisten, um gefährliches Hin- und Herschwingen zu vermeiden.

► 5.2. WANDINSTALLATION INNEN (Abb. 4)

Jeder Dübel muss einen Mindestzug von 200 kg tragen können. Die Mauerstruktur muss das Gewicht des Heizgeräts auf den Halterungen tragen können.

► 5.3. WANDINSTALLATION AUSSEN (Abb. 5)

Jeder Dübel muss einen Mindestzug von 200 kg tragen können. Die Mauerstruktur muss das Gewicht des Heizgeräts auf den Halterungen tragen können. Die Installation der Luftleitungen zum Ansaugen und Umwälzen muss die Spezifikationen des Originalbausatzes befolgen (Abschnitt "Optional").

►► 6. ANSCHLUSS AN DAS GASNETZ (Abb. 6)

DIE WARNHINWEISE AUFMERKSAM DURCHLESEN UND DIE EMPFEHLUNGEN DIESER ANLEITUNG VOR UND WÄHREND DER INSTALLATION BEFOLGEN.

DIE GASZUFUHRLEITUNG UND DER ANSCHLUSS MÜSSEN VON EINEM QUALIFIZIERTEN TECHNIKER REALISIERT WERDEN, DER DEN ÖRTLICHEN BESTIMMUNGEN UND GELTENDEN NORMEN ENTSPRECHENDE VORRICHTUNGEN UND INSTRUMENTE BENUTZT.

Das Heizgerät wurde für den Betrieb mit verschiedenen Gassorten entwickelt, wird aber mit einer bestimmten Werkeinstellung geliefert (siehe Typenschild am Gerät). Um schwere Schäden am Gerät zu verhindern dürfen die am Schild angeführten maximalen Versorgungsdruckwerte nicht überstiegen werden.

Der Gasregler muss außerhalb des zu heizenden Gebäudes installiert werden und eine Zufuhr mit einem den örtlichen Bestimmungen und technischen Spezifikationen des Heizers entsprechenden Druck liefern. Die Inneninstallation des Reglers darf nur in einem ausreichend belüfteten Bereich erfolgen. Die örtlichen Bestimmungen werden Ihnen dabei helfen, die korrekte Installation durchzuführen.

Mit dem Anschluss des Heizgeräts an das Gasnetz fortfahren, wobei auf die Art der Verbindung zu achten ist (Gewinde ISO 7-1:1994, geeignet für Dichtung auf Kegengewinde) (die Abmessungen der Gasleitungen, deren Position und Verankerung müssen unbedingt zweckmäßig sein). Während der ersten Inbetriebnahme mit einem genehmigten Lecksucher etwaige Lecks kontrollieren, die durch falsches Spannen oder durch einen Schaden am Gasversorgungskreis verursacht wurden.

►► 7. ANSCHLUSS AN DAS STROMNETZ

DIE WARNHINWEISE AUFMERKSAM DURCHLESEN UND DIE EMPFEHLUNGEN DIESER ANLEITUNG VOR UND WÄHREND DER INSTALLATION BEFOLGEN.

DIE STROMLEITUNG UND DER ANSCHLUSS MÜSSEN VON EINEM QUALIFIZIERTEN TECHNIKER REALISIERT WERDEN, DER DEN ÖRTLICHEN BESTIMMUNGEN UND GELTENDEN NORMEN ENTSPRECHENDE VORRICHTUNGEN UND INSTRUMENTE BENUTZT.

••WICHTIGER HINWEIS: Das Heizgerät muss an ein angemessenes Differential- und Leistungsschutzkontrollsystem, das die Unterbrechung der Stromzufuhr im Fall von Störungen gewährleistet, angeschlossen werden. Für den Betrieb des Heizgeräts ist es sehr wichtig, die einwandfreie Erdung des Geräts zu überprüfen.

Das Heizgerät wird mit einem spezifischen Verbinder (Abb. 7) geliefert, der nach angemessener Verkabelung an das Stromnetz die schnelle Verbindung an das Heizgerät gestattet. Es wird empfohlen, ein 1,5 mm² Kabel (AWG 16) Typ H07 mit einer Länge von nicht mehr als 5 m zu gebrauchen. Sicherstellen, dass das Heizgerät vom Gasnetz isoliert wurde und hiernach den Verbinder öffnen und die Versorgungskabel anschließen (Abb. 8). Um schwere Schäden zu vermeiden wird empfohlen, die komplette Einführung des Verbinders in das Heizgerät zu überprüfen, und den Verbinder mit dem Sicherheitshebel zu blockieren (Abb. 9).

►► 8. UMRÜSTUNG AUF ANDERE GASSORTEN

DIE WARNHINWEISE AUFMERKSAM DURCHLESEN UND DIE EMPFEHLUNGEN DIESER ANLEITUNG VOR UND WÄHREND DER INSTALLATION BEFOLGEN.

DIE UMRÜSTUNG ZU EINER ANDEREN GASSORTE MUSS VON EINEM QUALIFIZIERTEN TECHNIKER ODER VON DEM AUTORISIERTEN KUNDENDIENST IN ÜBEREINSTIMMUNG MIT DEN ÖRTLICHEN BESTIMMUNGEN UND DEN GELTENDEN VORSCHRIFTEN MIT ANGEMESSENEN VORRICHTUNGEN UND INSTRUMENTEN AUSGEFÜHRT WERDEN.

••**WICHTIGER HINWEIS:** Die Umrüstung darf erst erfolgen, nachdem das Heizgerät geschlossen und vom Gas- und Stromnetz isoliert wurde (Abb. 24).

Die mit dem vorliegenden Heizgerät kompatiblen Gassorten sind am Gasschild angeführt. Vor der Umrüstung ist die spezifische Gaseinstellung am Geräteschild erkennbar. Nach beendeter Umrüstung die Parameter der neuen Einstellung auf unauslöschliche Weise auf das leere mitgelieferte Typenschild übertragen, dann das Schild am Heizgerät anbringen. Die Eingriffe zur Umrüstung zu einem anderen Brenngas sind folgende:

► 8.1.ENTFERNUNG DES ANSCHLUSSROHRS FÜR VENTIL UND DÜSENHALTERUNG, ENTFERNUNG DER DÜSENHALTERUNG, ENTFERNUNG DER DÜSE

VORGANG:

- 8.1.1.Rad zum Spannen der Olive auf Ventillseite entfernen (Abb. 10).
- 8.1.2.Befestigungsschraube der Düsenhalterung entfernen (Abb. 11).
- 8.1.3.Düsenhalterung und das Gasrohr herausziehen (Abb. 12).
- 8.1.4.Gasdüse entfernen (Abb. 13).

ACHTUNG: SÄMTLICHE BAUTEILE MÜSSEN SORGFÄLTIG AUFBEWAHRT WERDEN (DICHTUNGEN, OLIVEN, USW.).

► 8.2.AUSWAHL DER DÜSE

Die richtige Düse auswählen:

- Düse GPL = Durchmesser 5 mm
- Düse G20 = Durchmesser 10 mm
- Düse G25 = Durchmesser 10 mm

► 8.3.WIEDERHERSTELLUNG DES ANSCHLUSSROHRS FÜR VENTIL UND DÜSENHALTERUNG, WIEDERHERSTELLUNG DER DÜSENHALTERUNG, WIEDERHERSTELLUNG DER DÜSE

VORGANG:

- 8.3.1.Die Düse dicht an der Düsenhalterung festmachen und überprüfen, dass die ausgewählte Düse die richtige für die gewünschte Änderung ist (Abb. 13).
- 8.3.2.Düsenhalterung und Rohr unter dem Brenner einfügen, mit der Schraube am Unterbau festmachen (Abb. 12-11).
- 8.3.3.Die Verschraubung zum Spannen der Olive an das Gasventil schrauben (Abb. 10).
- 8.3.4.Die Dichtheit der Verbindungen überprüfen.

ACHTUNG: BEI VERWENDUNG VON G20-G25 GASEN DEN LUFTREDUZIERRING MONTIEREN (Abb. 14). DIESER REDUZIERRING IST NUR FÜR DIE GASSORTEN G20-G25 NOTWENDIG.

► 8.4.EINSTELLUNG DES AUSGANGSDRUCKS AUS DEM MEHRZWECKGASVENTIL

ACHTUNG: DIE EINSTELLUNG MUSS SCHNELL UND GENAU ERFOLGEN.

Nachdem das Rohr und die neue Düse verbunden wurden muss am Mehrzweckgasventil des Heizgeräts der richtige Versorgungsdruck eingestellt werden. Die Druckeinstellung muss bei Heizgerät in Betrieb und angeschlossener Gasleitung erfolgen. Vor Beginn der Einstellung sicherstellen, dass das für die Versorgung des Heizgeräts verwendete Gas kompatibel mit der montierten Düse ist.

VORGANG:

- 8.4.1.Entnahmestelle des Drucks im Ausgang aus dem Gasventil ermitteln und Schraube entfernen (Abb. 15).
- 8.4.2.Eine Schlauchleitung anschließen und auf einwandfreie Dichtheit überprüfen (Abb. 16). Da der Eichdruck minimal ist muss ein sehr genauer Differentialmanometer oder besser ein Wassersäulenmanometer benutzt werden.
- 8.4.3.Schutzverschluss entfernen (Abb. 17) und die Drehschraube zur Druckeinstellung am Gasventil ermitteln.

•8.4.4. Das spezifische Werkzeug zur Betätigung des Einstellbolzens vorbereiten.

•8.4.5. Das Heizgerät einschalten und einige Sekunden die Vorspülung abwarten. Danach wird das Gas geöffnet und die Flamme angezündet. Genau zu diesem Zeitpunkt muss der Bolzen gedreht werden (Abb. 18), bis der gewünschte Ausgangsdruck erreicht wird (Drehung im Uhrzeigersinn für Steigerung, Drehung im Gegenuhrzeigersinn für Minderung). Nachdem der Druck eingestellt wurde ist es empfehlenswert, die Inbetriebnahme bei geschlossenen Sichtklappen dreimal zu wiederholen und den Ausgangsdruck des Gasventils erneut zu überprüfen. Bevor die Gasumrüstung beendet wird muss die Dichtheit der Verschraubungen und der Gasleitung überprüft werden.

•8.4.6. Nach beendeter Umrüstung die Parameter der neuen Einstellung auf unauslöschliche Weise auf das leere mitgelieferte Typenschild übertragen (Abb. 19), dann das Schild am Heizgerät anbringen.

►► 9. BRENNSTOFFSORTE

AUSSCHLIESSLICH GAS DER AUF DEM ENTSPRECHENDEN KLEBER ANGEgebenEN KATEGORIE VERWENDEN, UM SCHWERE SCHÄDEN ZU VERMEIDEN.

►► 10. INBETRIEBNAHME (Anweisungen zur Inbetriebnahme, Belüftung und Heizung) (Abb. 20)

DIE WARNHINWEISE AUFMERKSAM DURCHLESEN UND DIE EMPFEHLUNGEN DIESER ANLEITUNG WÄHREND DEM BETRIEB BEFOLGEN.

DIE ERSTE INBETRIEBNAHME MUSS VON EINEM QUALIFIZIERTEM TECHNIKER ODER VON DEM AUTORISIERTEN KUNDENDIENST AUSGEFÜHRT WERDEN.

••WICHTIGER HINWEIS: Vor der ersten Inbetriebnahme kontrollieren, dass im Innern des Heizgeräts keine Rückstände von Verpackungen oder Zubehöerteilen vorhanden sind.

••WICHTIGER HINWEIS: Vor der Inbetriebnahme überprüfen, dass das Heizgerät korrekt installiert ist (der Gasanschluss, der Eingangsdruck und der Stromanschluss müssen den geltenden Vorschriften entsprechen und die Angaben am Typenschild berücksichtigen) und dass die Luftzirkulation nicht verhindert wird.

••WICHTIGER HINWEIS: Während der ersten Inbetriebnahme mit einem genehmigten Lecksucher etwaige Lecks kontrollieren, die durch falsches Spannen oder durch einen Schaden am Gasversorgungskreis verursacht wurden.

Das Heizgerät kann im Ventilationsmodus oder im Heizmodus funktionieren. Um den Ventilationsmodus zu aktivieren muss die Taste auf die Position "GEBLÄSE" gebracht werden (Abb. 21), auf diese Weise startet das Heizgerät nur den Motor, der Gaskreis bleibt geschlossen. Um den Heizmodus zu aktivieren muss die Taste in die Position "FLAMME" gebracht werden (Abb. 22). Nachdem nur der Ventilator aktiviert wurde, um die Vorspülung der Brennkammer ca. 30 Sekunden lang zu gewährleisten, öffnet das Heizgerät den Gaskreis und aktiviert den Funken, der den Brennvorgang startet.

Falls die Inbetriebnahme mehr als dreimal fehlschlägt, wird das Gerät blockiert. Um das Heizgerät rückzustellen muss die Starttaste in Position "O" gebracht (Abb. 23) und das Versorgungskabel abgezogen werden (Abb. 24). Eine vorbeugende Auswertung der möglichen Ursachen ist in der Störtabelle zusammengefasst (Abschnitt "Störungen, Ursachen und Abhilfen").

ACHTUNG: WENN DIE INBETRIEBNAHME MEHR ALS DREIMAL FEHLSCHLÄGT MUSS DIE URSACHE DURCH DEN AUTORISIERTEN KUNDENDIENST ÜBERPRÜFT WERDEN.

►► 11. DIAGNOSE KONTROLLLAMPE

Am Heizgerät ist eine Kontrolllampe zur Betriebsüberwachung angebracht (Abb. 25):

- KONTROLLLAMPE AUSGESCHALTET (normaler Zustand): Das Heizgerät ist ausgeschaltet oder in Betrieb.
- KONTROLLLAMPE IMMER EINGESCHALTET: Das Heizgerät ist blockiert.

►► 12. ABSCHALTEN

Um das Gerät abzuschalten die Taste auf Position "O" bringen (Abb. 23).

ACHTUNG: MIT TASTE AUF "O" IST DAS HEIZGERÄT ZWAR ABGESCHALTET ABER IMMER NOCH AM STROMNETZ ANGESCHLOSSEN, UM DAS GERÄT FÜR WARTUNGSEINGRIFFE, REINIGUNG ODER ANDERES KOMPLETT ZU ISOLIEREN MUSS DAS VERSORGUNGSKABEL ABGEZOGEN WERDEN (Abb. 24).

►► 13. ANSCHLUSS FERNRAUMTHERMOSTAT

••WICHTIGER HINWEIS: Wird das Heizgerät über ein Fernraumthermostat gesteuert, kann sich dieses jeder Zeit einschalten, wenn die Temperatur unter die eingestellte Grenze fällt.

Um den Fernraumthermostat anzuschließen muss der Verschluss am Heizgerät entfernt und der Fernraumthermostat (optional) angeschlossen werden (Abb. 26).

►► 14. REINIGUNG DES HEIZGERÄTS

••WICHTIGER HINWEIS: Jegliche Reinigungseingriffe sind verboten, wenn das Heizgerät zuvor nicht ausgeschaltet (Abb. 23) und von der Stromversorgung abgezogen wurde (Abb. 24).

Der Benutzer darf nur die äußeren Oberflächen des Heizgeräts reinigen. Die Außenteile des Heizgeräts nur mit einem feuchten, nicht abrasivem Tuch reinigen (keine Schwämme mit aggressiven Produkten oder Reinigungspulver verwenden). Nach der Reinigung die Oberfläche sorgfältig abtrocknen.

ACHTUNG: SOLLTE DAS HEIZGERÄTS EINE GRÜNDLICHERE REINIGUNG ERFORDERN, MUSS DER AUTORISIERTE KUNDENDIENST ZU HILFE GEZOGEN WERDEN.

►► 15. AUSSERBETRIEBNAHME DES HEIZGERÄTS

Bei Stillstand über längere Zeit muss das Heizgerät vom Stromnetz getrennt (Abb. 24) und gegen Feuchtigkeit und Staub geschützt werden. Wenn das Heizgerät erneut benutzt wird, muss der Erhaltungszustand des Versorgungskabels kontrolliert werden; bei Zweifeln hierzu wenden Sie sich bitte an den autorisierten Kundendienst. Das Heizgerät ist in jedem Fall einmal pro Jahr überprüfen zu lassen.

►► 16. OPTIONAL

- Montagesatz für Außenbereiche (mit Umluft oder Ansaugluft von außen, je nach Lage der Luftklappen).
- Fernraumthermostat.
- Luftauslassverteiler.

►► 17. STÖRUNGEN, URSACHEN UND ABHILFEN

STÖRUNGEN	URSACHEN	ABHILFEN
Das Heizgerät funktioniert nicht	Keine Spannung vorhanden	1. Elektrische Anlage überprüfen 2. Stromanschlüsse überprüfen 3. Autorisierter Kundendienst
	Falscher Anschluss des Raumthermostats	1. Raumthermostat ordnungsgemäß anschließen
Heizgerät funktioniert nicht im Heizmodus	Raumthermostat tritt ein (optional)	1. Raumthermostat auf eine niedrigere Temperatur als die Raumtemperatur einstellen
	Falscher Anschluss des Raumthermostats	1. Raumthermostat ordnungsgemäß anschließen
	Anschlusskappe des Raumthermostatsteckers nicht richtig eingefügt	1. Anschlusskappe korrekt in den Stecker einfügen
	Keine Gaszufuhr vorhanden	1. Gasanlage überprüfen 2. Autorisierter Kundendienst
	Heizgerät blockiert	1. Durch Abziehen und erneutes Anschließen an das Stromnetz das Heizgerät wiederherstellen 2. Autorisierter Kundendienst
	Elektronische Vorrichtung defekt	1. Autorisierter Kundendienst
	Falsche Eichung des Heizgeräts	1. Autorisierter Kundendienst
Flamme erlischt nicht	Elektronische Vorrichtung defekt	1. Autorisierter Kundendienst
Flamme erlischt während des normalen Betriebs	Raumthermostat tritt ein (optional)	1. Raumthermostat auf eine niedrigere Temperatur als die Raumtemperatur einstellen
	Keine Gaszufuhr vorhanden	1. Gasanlage überprüfen 2. Autorisierter Kundendienst
	Keine Spannung vorhanden	1. Elektrische Anlage überprüfen 2. Stromanschlüsse überprüfen 3. Autorisierter Kundendienst
	Überhitzung des Heizgeräts	1. Luftaufnahme (unten) reinigen und manuellen Sicherheitsthermostat wieder einschalten (Abb. 27) 2. Betriebsgrenztemperaturen des Heizgeräts zu hoch 3. Luftansaugtemperaturen zu hoch 4. Übermäßige Aussetzung an Sonnenlicht 5. Autorisierter Kundendienst

SOMMAIRE DES PARAGRAPHES

1...	<i>DESCRIPTION</i>
2...	<i>AVERTISSEMENTS</i>
3...	<i>DÉBALLAGE</i>
4...	<i>MANUTENTION</i>
5...	<i>MISE EN PLACE</i>
6...	<i>RACCORDEMENT AU RÉSEAU DU GAZ</i>
7...	<i>RACCORDEMENT AU RÉSEAU ÉLECTRIQUE</i>
8...	<i>CONVERSION À UN AUTRE TYPE DE GAZ</i>
9...	<i>TYPE DE COMBUSTIBLE</i>
10...	<i>ALLUMAGE</i>
11...	<i>DIAGNOSTIC VOYANT</i>
12...	<i>EXTINCTION</i>
13...	<i>BRANCHEMENT DU THERMOSTAT D'AMBIANCE À DISTANCE</i>
14...	<i>NETTOYAGE DE L'APPAREIL DE CHAUFFAGE</i>
15...	<i>MISE HORS SERVICE DE L'APPAREIL DE CHAUFFAGE</i>
16...	<i>OPTIONS</i>
17...	<i>ANOMALIES, CAUSES ET SOLUTIONS</i>

IMPORTANT: VEUILLEZ LIRE ET COMPRENDRE CE MANUEL D'UTILISATION AVANT DE PROCÉDER À L'ASSEMBLAGE, À LA MISE EN SERVICE OU À L'ENTRETIEN DE CET APPAREIL DE CHAUFFAGE. L'UTILISATION ERRONÉE DE L'APPAREIL DE CHAUFFAGE PEUT PROVOQUER DES LÉSIONS GRAVES. CONSERVER CE MANUEL POUR TOUTE CONSULTATION FUTURE.

►► 1. DESCRIPTION

Cet appareil de chauffage à gaz est un appareil qui fournit de la chaleur à l'air de la pièce dans laquelle il travaille en utilisant le gaz naturel ou le gaz propane liquide. Il est prévu pour être installé de manière fixe, à l'intérieur ou à l'extérieur, après avoir évalué les pièces et avec l'utilisation de kits spécifiques. L'air aspiré par un système de ventilation centrifuge est convoyé au brûleur qui contrôle la combustion. De cette manière, l'air se réchauffe et il est réintroduit dans la pièce. Ce système de combustion directe mélange les produits de la combustion avec l'air aspiré, en les relâchant dans la pièce dans un second temps. Vu que le volume d'air traité est supérieur par rapport aux besoins effectifs de combustion. L'air chaud sort avec une faible concentration d'anhydride carbonique.


Ce système permet de réaliser un appareil de chauffage avec:


- L'efficacité thermique maximale.
- Une faible inertie thermique.
- Des dimensions et un poids réduits.
- Un design simple.
- La fiabilité maximale.


Grâce à une fonction spécifique, il est possible de n'activer que le groupe de ventilation, de manière à faire circuler l'air.


La plaque des données fixée sur l'appareil de chauffage, qui reporte de manière indélébile les combustibles gazeux à utiliser, les spécifications et l'ensemble des informations techniques de l'appareil de chauffage, permet d'identifier ce produit. Si la plaque des données ou le manuel d'instructions est endommagé ou perdu, demander un duplicata au centre d'assistance technique agréé.


►► 2. AVERTISSEMENTS

••2.1.  **IMPORTANT:** Le fabricant est responsable de la conformité de son produit aux lois, aux directives ou aux normes de fabrication en vigueur au moment de la commercialisation. La connaissance et le respect des dispositions législatives et des normes relatives à la conception, à l'installation, au fonctionnement et à l'entretien des équipements sont à la charge exclusive du technicien habilité, du centre d'assistance technique agréé et de l'utilisateur.


••2.2.  **IMPORTANT:** Le fabricant n'est pas responsable du non-respect des instructions contenues dans le manuel d'instructions suivant, des conséquences de n'importe quelle manœuvre effectuée sans être expressément prévue, ou de toute traduction pouvant donner lieu à des interprétations erronées.


••2.3.  **IMPORTANT:** Ce manuel d'instructions fait partie intégrante de l'appareil de chauffage: il doit donc toujours être conservé avec soin et il devra accompagner l'appareil même en cas de cession à un autre propriétaire ou utilisateur. Si la plaque des données ou le manuel d'instructions est endommagé ou perdu, demander un duplicata au centre d'assistance technique agréé.

••2.4.  **IMPORTANT:** Cet appareil de chauffage n'est pas prévu pour être utilisé par des personnes (y compris les enfants) dont les capacités physiques, sensorielles ou mentales sont réduites ou par des personnes manquant d'expérience ou de connaissances, à moins qu'elles ne soient surveillées par une personne responsable de leur sécurité. Il convient de surveiller les enfants pour s'assurer qu'ils ne jouent pas avec l'appareil de chauffage. Garder les animaux à une distance de sécurité de l'appareil de chauffage.

••2.5.  **IMPORTANT:** L'usage impropre de cet appareil de chauffage peut provoquer des dommages, être une source de dan-

ger mortel pour les personnes ou il peut entraîner des lésions, des brûlures, des explosions, des électrochocs, ou l'empoisonnement. Les premiers symptômes de l'asphyxie par le monoxyde de carbone ressemblent à ceux de la grippe, avec des maux de tête, des vertiges et/ou des nausées. Ces symptômes pourraient être causés par un fonctionnement défectueux de l'appareil de chauffage. **SI CES SYMPTÔMES SE MANIFESTENT, SORTIR IMMÉDIATEMENT EN PLEIN AIR** et faire réparer l'appareil de chauffage par le centre d'assistance technique agréé.

••2.6.  **IMPORTANT:** Le fabricant n'assume aucune responsabilité contractuelle ou délictuelle en cas de dommages causés à des personnes, des animaux ou des biens, par des erreurs d'installation, de réglage, d'entretien ou par des usages impropres.

••2.7.  **IMPORTANT:** Les références aux lois, normes, directives et règles techniques éventuellement citées dans ce manuel d'instructions, doivent être considérées comme figurant dans ce manuel à titre d'information et comme étant valables à la date d'impression du manuel. L'entrée en vigueur de nouvelles dispositions ou de modifications apportées à la législation en vigueur ne constitue pas un motif d'obligation du fabricant à l'égard des tiers.

••2.8.  **IMPORTANT:** La mise en place et la fixation de l'appareil de chauffage doivent être effectuées par un personnel qualifié. Le raccordement au réseau du gaz et au réseau électrique doit être exécuté par un technicien habilité qui, à la fin de son travail, remettra au propriétaire la déclaration de conformité d'installation réalisée dans les règles de l'art, c'est-à-dire conformément aux normes en vigueur et aux indications fournies par le fabricant dans ce manuel d'instructions. Les opérations qui prévoient l'accès à des parties dangereuses (entretien, réparation, etc.) doivent être effectuées par le centre d'assistance technique agréé, de manière à prévenir tout risque.

••2.9.⚠️IMPORTANT: L'appareil de chauffage est dépourvu de régulateurs de gaz ou de tuyaux de connexion au réseau fixe: il faut donc s'adresser à un technicien habilité pour l'installation.

••02.10.⚠️IMPORTANT: L'appareil de chauffage est fourni avec un réglage du gaz spécifique. Tout type de transformation et de réglage doit être effectué par un technicien habilité ou par le centre d'assistance technique agréé. **EN CAS DE TRANSFORMATIONS ET DE RÉGLAGES, IL FAUT REMPLIR LA PLAQUE NEUTRE DES DONNÉES, FOURNIE AVEC L'APPAREIL DE CHAUFFAGE.**

••2.11.⚠️IMPORTANT: Les réglages des pressions du gaz d'alimentation doivent être vérifiés par un technicien habilité.

••02.12.⚠️IMPORTANT: L'appareil de chauffage doit être installé exclusivement selon les instructions contenues dans ce manuel d'instructions de manière à éviter tout risque d'incendie.

••02.13.⚠️IMPORTANT: Ne pas utiliser pour chauffer des zones habitables de bâtiments résidentiels; pour l'emploi dans des bâtiments publics, se référer aux dispositions réglementaires nationales.

••2.14. Pour un usage correct de l'appareil de chauffage et pour le stockage du combustible, respecter les ordonnances locales ainsi que la réglementation en vigueur.

••2.15. S'il est installé à l'intérieur, l'appareil de chauffage a besoin d'un renouvellement de l'air approprié. Il doit donc être utilisé dans des pièces qui garantissent un renouvellement de l'air continu. Pour l'installation et l'évaluation du renouvellement de l'air, respecter les normes nationales en vigueur, y compris les normes techniques ainsi que les dispositions relatives à la prévention des accidents et des incendies.

••2.16. L'appareil ne doit être utilisé que comme un appareil de chauffage d'air chaud (mode chauffage) ou comme un ventilateur (mode ventilation). Pour utiliser l'appareil,

suivre attentivement les instructions présentes.

••2.17. N'alimenter l'appareil de chauffage qu'avec du combustible, respecter la pression du gaz, la tension et la fréquence électrique expressément spécifiées sur la plaque des données de l'appareil.

••2.18. S'assurer de ne brancher l'appareil de chauffage qu'à des réseaux électriques pourvus d'un interrupteur différentiel et d'une mise à la terre appropriée.

••2.19. Il est absolument interdit d'utiliser l'appareil de chauffage dans des sous-sols ou en dessous du niveau du sol.

••2.20. Ne pas utiliser l'appareil de chauffage dans des pièces en présence de poussières explosives, de fumées, de gaz, de combustibles, de solvants ou de vernis, etc..

••2.21. Lorsque l'appareil de chauffage est utilisé à proximité de bâches, de rideaux ou de matériel de couverture similaire, il est conseillé d'utiliser des protections ignifuges supplémentaires. Veiller à maintenir les matériaux inflammables (étoffe, papier, bois, etc.) ou thermolabiles (y compris le câble d'alimentation) à une distance adéquate, qui ne devra en aucun cas être inférieure à 3 m, des parties chaudes de l'appareil de chauffage.

••2.22. Il est absolument interdit, pour n'importe quelle raison, d'obstruer complètement ou partiellement la prise d'air (côté inférieur) et/ou la bouche de sortie de l'air (côté avant). Il est possible d'utiliser des canalisations de l'air en provenance ou en direction de l'appareil de chauffage. Les seules autorisées sont celles que le fabricant fournit en option.

••2.23. En cas de défaut d'allumage ou d'allumage anormal de l'appareil de chauffage, consulter le paragraphe spécifique (Para

••2.24. Ne jamais déplacer, manipuler ni effectuer toute opération d'entretien sur l'appareil de chauffage lorsque ce dernier est en marche.

••2.25. Il est interdit d'ouvrir les portes latérales d'inspection ou d'effectuer toute opération à l'intérieur lorsque l'appareil

de chauffage est en marche ou à l'arrêt et sous tension.

••2.26. Si vous sentez une odeur de gaz, éteignez immédiatement l'appareil de chauffage, interrompez l'alimentation du gaz, déconnectez l'appareil de chauffage du réseau électrique, aérez le local en ouvrant les portes et les fenêtres, puis contactez le centre d'assistance technique agréé.

••2.27. Lorsque l'appareil de chauffage est contrôlé par un thermostat d'ambiance à distance (option), il peut se rallumer à tout moment quand la température descend en dessous du seuil imposé.

••2.28. Si l'appareil de chauffage n'est pas utilisé pendant de longues périodes de temps, il est conseillé de consulter le centre d'assistance technique agréé pour le remettre en marche.

••2.29. L'appareil de chauffage ne doit être équipé qu'avec les accessoires originaux. Le fabricant n'est pas responsable des dommages possibles issus d'usages impropres de l'appareil de chauffage et de l'utilisation de matériel et d'accessoires non originaux.

••2.30. Ne pas modifier ou altérer frauduleusement l'appareil de chauffage car des situations dangereuses peuvent se créer. Le fabricant n'est pas responsable des dommages éventuellement provoqués.

••2.31. Il est interdit de poser des objets sur l'appareil de chauffage.

••2.32. Il est interdit d'introduire des objets par les grilles de l'appareil de chauffage.

••2.33. Il est interdit de toucher la grille de sortie de l'air car pendant le fonctionnement normal, elle peut atteindre des températures élevées qui peuvent causer de graves lésions.

••2.34. Il est interdit d'utiliser des adaptateurs, des prises multiples et des rallonges pour brancher l'appareil de chauffage au réseau électrique.

••2.35. Toute opération de nettoyage et d'entretien est interdite avant d'avoir débranché l'appareil de chauffage du réseau électrique et de l'alimentation du combustible.

••2.36. Faire vérifier par le centre d'assistance agréé le fonctionnement correct de l'appareil de chauffage au moins une fois par an ou selon la nécessité.

►► 3. DÉBALLAGE

IL EST INTERDIT DE JETER, DE LAISSER LES MATÉRIAUX D'EMBALLAGE (CARTON, PLASTIQUE D'EMBALLAGE, SACHETS, ETC.) POSÉS OU À LA PORTÉE DES ENFANTS CAR ILS PEUVENT REPRÉSENTER UN DANGER.

Enlever tous les matériaux d'emballage utilisés pour conditionner et expédier l'appareil et les éliminer conformément aux normes en vigueur. Contrôler les dégâts éventuellement subis pendant le transport. Si l'appareil de chauffage apparaît endommagé, informer immédiatement le revendeur.

►► 4. MANUTENTION

LA MANUTENTION DE L'APPAREIL DE CHAUFFAGE DOIT ÊTRE EFFECTUÉE PAR UN PERSONNEL QUALIFIÉ, EN UTILISANT DES DISPOSITIFS ET DES INSTRUMENTS APPROPRIÉS, CONFORMÉMENT À LA RÉGLEMENTATION NATIONALE ET AUX NORMES EN VIGUEUR.

► 4.1. MANUTENTION DE L'APPAREIL DE CHAUFFAGE AVEC SON EMBALLAGE

Il est possible de le lever avec un chariot élévateur en plaçant des supports sous la base inférieure de l'emballage.

► 4.2. MANUTENTION DE L'APPAREIL DE CHAUFFAGE SANS SON EMBALLAGE

Il est possible de le lever avec un chariot élévateur en plaçant des supports sous la base inférieure de l'emballage ou en utilisant des chaînes et des crochets de suspension.

►► 5. MISE EN PLACE (Fig. 1)

LIRE ATTENTIVEMENT LES AVERTISSEMENTS ET SUIVRE LES CONSIGNES CONTENUES DANS CE MANUEL D'INSTRUCTIONS AVANT ET PENDANT L'INSTALLATION.

fr

LA MISE EN PLACE DE L'APPAREIL DE CHAUFFAGE DOIT ÊTRE EFFECTUÉE PAR UN PERSONNEL QUALIFIÉ, EN UTILISANT DES DISPOSITIFS ET DES INSTRUMENTS APPROPRIÉS, CONFORMÉMENT À LA RÉGLEMENTATION NATIONALE ET AUX NORMES EN VIGUEUR.

••**IMPORTANT:** Ne pas alimenter l'appareil de chauffage avant que l'installation ne soit terminée, afin d'éviter tout dommage matériel ou corporel.

Cet appareil de chauffage a été conçu pour pouvoir être installé à l'intérieur ou à l'extérieur d'un bâtiment. Il est possible de l'installer à l'extérieur uniquement en utilisant le kit original spécifique (Paragraphe «Options»). Avant de procéder à la mise en place de l'appareil de chauffage, s'assurer d'avoir identifié la position correcte pour l'installation, loin des matières inflammables, en gardant une distance opportune par rapport au sol de manière à ne pas obstruer, même partiellement, la grille d'aspiration de l'air située en bas de l'appareil de chauffage. C'est la raison pour laquelle il faut vérifier la distance de la grille par rapport au sol ou aux matériaux qui peuvent être aspirés. Le lieu de l'installation doit être facilement accessible afin de favoriser les opérations d'entretien et de contrôle ordinaires. Il est fondamental que l'appareil de chauffage soit fixé de manière sûre et définitive sur la structure. Il est interdit d'accrocher des poids supplémentaires sur l'appareil de chauffage.

►► 5.1. INSTALLATION À L'INTÉRIEUR, À UN PLAFOND (Fig. 2-3)

Chaque chaîne et chaque crochet de suspension doit supporter un poids minimum

de 100 kg. Le plan de fixation (le plafond par exemple) doit supporter un poids minimum de 200 kg. L'angle entre les chaînes doit être positif et doit posséder une valeur qui permette la stabilité afin d'éviter toute oscillation dangereuse.

►► 5.2. INSTALLATION À L'INTÉRIEUR, SUR UN MUR (Fig. 4)

Chaque cheville au mur doit supporter une traction minimale de 200 Kg. La structure de maçonnerie doit supporter le poids de l'appareil de chauffage placé sur les étriers.

►► 5.3. INSTALLATION À L'EXTÉRIEUR, SUR UN MUR (Fig. 5)

Chaque cheville au mur doit supporter une traction minimale de 200 Kg. La structure de maçonnerie doit supporter le poids de l'appareil de chauffage placé sur les étriers. L'installation des conduits d'aspiration et de redistribution de l'air doivent suivre les spécifications décrites dans le kit original (Paragraphe «Options»).

►► 6. RACCORDEMENT AU RÉSEAU DE GAZ (Fig. 6)

LIRE ATTENTIVEMENT LES AVERTISSEMENTS ET SUIVRE LES CONSIGNES CONTENUES DANS CE MANUEL D'INSTRUCTIONS AVANT ET PENDANT L'INSTALLATION.

LA RÉALISATION DE LA LIGNE D'ALIMENTATION DU GAZ ET DU RACCORDEMENT DOIT ÊTRE EFFECTUÉE PAR UN TECHNICIEN HABILITÉ EN UTILISANT DES DISPOSITIFS ET DES INSTRUMENTS APPROPRIÉS, CONFORMÉMENT À LA RÉGLEMENTATION NATIONALE ET AUX NORMES EN VIGUEUR.

L'appareil de chauffage est conçu pour fonctionner avec plusieurs types de gaz mais il est fourni avec un réglage spécifique d'usine (voir la plaque des données fixées sur l'appareil).

reil). Ne jamais dépasser les valeurs maximales de pression d'alimentation reportées sur la plaque des données afin d'éviter de graves dommages à l'appareil de chauffage. Le régulateur de gaz doit être installé à l'extérieur du bâtiment à chauffer et il doit garantir la fourniture avec une pression conforme aux normes nationales et aux spécifications techniques de l'appareil de chauffage. Il est possible d'installer le régulateur à l'intérieur, uniquement dans une pièce bien ventilée. Les normes nationales vous aideront à identifier l'installation correcte.

Procéder au raccordement de l'appareil de chauffage au réseau de gaz en faisant extrêmement attention aux types de connexion (filetage ISO 7-1:1994 adapté à l'étanchéité sur un filet conique). Il est fondamental que le dimensionnement des tuyaux de gaz, leur emplacement et leur ancrage soient appropriés. Lors du premier allumage, contrôler, à l'aide d'un détecteur de fuites approuvé, toute fuite due à un serrage incorrect ou à un dommage au circuit d'alimentation du gaz.

►► 7. RACCORDEMENT AU RÉSEAU ÉLECTRIQUE

LIRE ATTENTIVEMENT LES AVERTISSEMENTS ET SUIVRE LES CONSIGNES CONTENUES DANS CE MANUEL D'INSTRUCTIONS AVANT ET PENDANT L'INSTALLATION.

LA RÉALISATION DE LA LIGNE D'ALIMENTATION ÉLECTRIQUE ET DU RACCORDEMENT DOIT ÊTRE EFFECTUÉE PAR UN TECHNICIEN HABILITÉ EN UTILISANT DES DISPOSITIFS ET DES INSTRUMENTS APPROPRIÉS, CONFORMÉMENT À LA RÉGLEMENTATION NATIONALE ET AUX NORMES EN VIGUEUR.

••IMPORTANT: L'appareil de chauffage doit être connecté à un système de contrôle dif-

férentiel et magnétothermique opportun qui garantit l'interruption de l'alimentation électrique en cas d'anomalies de l'appareil de chauffage. Afin que le chauffage fonctionne correctement, il est nécessaire de vérifier que la connexion à la terre soit correcte.

Il est conseillé d'utiliser un câble de 1,5 mm² (AWG 16) de type H07 qui ne dépasse pas 5 m de long. Après s'être assuré d'avoir isolé l'appareil de chauffage du réseau de gaz, ouvrir le tableau électrique (Fig. 7), insérer le câble d'alimentation dans le passe-câbles (Fig. 8) et raccorder les câbles dans le bornier spécifique (Fig. 9). Lorsque le raccordement est effectué, rétablir le tableau électrique.

►► 8. CONVERSION À UN AUTRE TYPE DE GAZ

LIRE ATTENTIVEMENT LES AVERTISSEMENTS ET SUIVRE LES CONSIGNES CONTENUES DANS CE MANUEL D'INSTRUCTIONS AVANT ET PENDANT L'INSTALLATION.

LA CONVERSION À UN AUTRE TYPE DE GAZ DOIT ÊTRE EFFECTUÉE PAR UN TECHNICIEN HABILITÉ OU PAR LE CENTRE D'ASSISTANCE TECHNIQUE AGRÉÉ, EN UTILISANT DES DISPOSITIFS ET DES INSTRUMENTS ADÉQUATS, CONFORMÉMENT À LA RÉGLEMENTATION NATIONALE ET AUX NORMES EN VIGUEUR.

••IMPORTANT: L'opération de conversion doit être effectuée après avoir fermé et isolé l'appareil de chauffage du réseau de gaz et du réseau électrique (Fig. 24).

Les types de gaz compatibles avec cet appareil de chauffage sont résumés sur l'étiquette «types de gaz». Le réglage du gaz, avant la conversion de l'appareil de chauffage, est identifiable grâce à la plaque des données fixée sur l'appareil de chauffage. Une fois la

conversion du gaz terminée, il faut reporter de manière indélébile les paramètres du nouveau réglage sur la plaque neutre des données fournie en équipement et la fixer sur l'appareil de chauffage. Les opérations à suivre pour la conversion à un autre gaz combustible se résument comme ci-après:

► 8.1. SUPPRESSION DU TUYAU DE RACCORDEMENT DE LA VANNE ET DU PORTE-BUSE, ÉLIMINATION DU PORTE-BUSE, ÉLIMINATION DE LA BUSE

PROCÉDURE:

- 8.1.1. Retirer la roulure de serrement du nez d'entrée côté vanne (Fig. 10).
- 8.1.2. Enlever la vis de fixation du porte-buse (Fig. 11).
- 8.1.3. Retirer le porte-buse et le morceau de tuyau à gaz (Fig. 12).
- 8.1.4. Enlever la buse à gaz (Fig. 13).

ATTENTION: IL EST RECOMMANDÉ DE CONSERVER SOIGNEUSEMENT TOUS LES COMPOSANTS (GARNITURES, ETC.).

► 8.2. SÉLECTION DE LA BUSE

Sélectionner la buse correcte:

Buse GPL = Diamètre 5 mm

Buse G20 = Diamètre 10 mm

Buse G25 = Diamètre 10 mm

► 8.3. RÉTABLISSEMENT DU TUYAU DE RACCORDEMENT DE LA VANNE ET DU PORTE-BUSE, RÉTABLISSEMENT DU PORTE-BUSE, RÉTABLISSEMENT DE LA BUSE

PROCÉDURE:

- 8.3.1. Fixer solidement la buse au porte-buse en vérifiant que la buse choisie soit correcte pour la transformation souhaitée (Fig. 13).
- 8.3.2. Insérer le porte-buse doté d'un tuyau en dessous du brûleur, en le fixant à la base à l'aide de la vis (Fig. 12-11).
- 8.3.3. Serrer le raccord de serrage du nez d'entrée à la vanne de gaz (Fig. 10).
- 8.3.4. Vérifier l'étanchéité des connexions.

ATTENTION: EN CAS D'UTILISATION DU GAZ G20-G25, INSTALLER LE COLLIER DE RÉDUCTION DE L'AIR (Fig. 14). CE COLLIER N'EST NÉCESSAIRE QUE POUR LES TYPES DE GAZ G20-G25.

► 8.4. RÉGLAGE DE LA PRESSION À LA SORTIE DE LA VANNE DE GAZ MULTIFONCTION

ATTENTION: L'OPÉRATION DE RÉGLAGE DOIT ÊTRE EFFECTUÉE DE MANIÈRE RAPIDE ET PRÉCISE.

Après avoir assemblé le conduit avec la nouvelle buse, il faut régler la vanne de gaz multifonction de l'appareil de chauffage avec la pression d'alimentation correcte. Le réglage de la pression doit advenir avec l'appareil de chauffage en marche et le gaz raccordé. Avant de commencer les opérations de réglage, s'assurer d'alimenter l'appareil de chauffage avec le type de gaz cohérent avec la buse installée.

PROCÉDURE:

- 8.4.1. Identifier le point de prélèvement de la pression à la sortie de la vanne de gaz et enlever la vis de serrage (Fig. 15).
- 8.4.2. Connecter un tuyau en caoutchouc flexible en s'assurant qu'il est parfaitement étanche (Fig. 16). Vu que les pressions d'étalonnage sont minimales, utiliser un manomètre différentiel avec une grande précision ou mieux encore, un manomètre à colonne d'eau.
- 8.4.3. Retirer le couvercle de protection (Fig. 17) et identifier la vis de rotation qui permet de régler la pression sur la vanne de gaz.
- 8.4.4. Préparer l'outil spécifique pour intervenir sur le goujon de réglage.
- 8.4.5. Allumer l'appareil de chauffage et attendre quelques secondes de pré-lavage. Après ce laps de temps, le gaz s'ouvre et la flamme se déclenche. C'est à cet instant précis qu'il faut tourner le goujon (Fig. 18), jusqu'à atteindre la pression de sortie requise (dans le sens des aiguilles d'une montre

pour augmenter, dans le sens contraire des aiguilles d'une montre pour diminuer). Après avoir réglé la pression, il est conseillé de refaire le cycle d'allumage trois fois avec les portes d'inspection fermées en revérifiant la pression de sortie de la vanne de gaz. Avant de terminer l'opération de conversion du gaz, il faut vérifier que les raccords et les tuyaux du gaz soient étanches.

•8.4.6. Une fois la conversion du gaz terminée, il faut reporter de manière indélébile les paramètres du nouveau réglage sur la plaque neutre des données fournie en équipement et la fixer sur l'appareil de chauffage (Fig. 19).

►► 9. TYPE DE COMBUSTIBLE

N'UTILISER QUE DU GAZ DE LA CATÉGORIE INDIQUÉE SUR L'ADHÉSIF DES TYPES DE GAZ AFIN D'ÉVITER DE GRAVES DOMMAGES À L'APPAREIL DE CHAUFFAGE.

►► 10. ALLUMAGE (Instructions pour l'allumage, la ventilation et le chauffage) (Fig. 20)

LIRE ATTENTIVEMENT LES AVERTISSEMENTS ET SUIVRE LES CONSIGNES CONTENUES DANS CE MANUEL D'INSTRUCTIONS PENDANT L'UTILISATION DE L'APPAREIL DE CHAUFFAGE.

LE PREMIER ALLUMAGE DOIT ÊTRE EFFECTUÉ PAR UN TECHNICIEN HABILITÉ OU PAR LE CENTRE D'ASSISTANCE TECHNIQUE AGRÉÉ.

••IMPORTANT: Avant le premier allumage, contrôler qu'il n'y ait pas de résidus d'emballage ou d'accessoires sur l'appareil.

••IMPORTANT: Avant l'allumage, vérifier que l'appareil de chauffage soit installé correctement (la connexion du gaz, la pression d'entrée et la connexion électrique doivent

être conformes aux normes en vigueur et aux déclarations de la plaque des données) et que rien n'obstrue le circuit de l'air.

••IMPORTANT: Lors du premier allumage, contrôler, à l'aide d'un détecteur de fuites approuvé, toute fuite due à un serrage incorrect ou à un dommage au circuit d'alimentation du gaz.

L'appareil de chauffage peut fonctionner en mode ventilation ou en mode chauffage. Pour activer le mode ventilation, placer le bouton sur «VENTILATEUR» (Fig. 21), ainsi, l'appareil de chauffage allume seulement le moteur en laissant le circuit du gaz fermé. Si vous souhaitez lancer le mode chauffage, placer le bouton sur «FLAMME» (Fig. 22). L'appareil de chauffage, après n'avoir activé que le ventilateur pour garantir le prélevage de la chambre de combustion pendant 30 secondes environ, ouvre le circuit du gaz et lance l'étincelle, en déclenchant la combustion.

S'il y a plus de trois défauts d'allumage, l'appareil de chauffage se bloque. Pour réinitialiser l'appareil de chauffage, placer le bouton sur «O» (Fig. 23). Une analyse préventive des causes possibles est résumée dans le tableau des anomalies (Paragraphe «Anomalies, causes et solutions»).

ATTENTION: SI UN DÉFAUT D'ALLUMAGE SE PRODUIT PLUS DE TROIS FOIS, IL FAUT VÉRIFIER LA CAUSE EN CONTACTANT LE CENTRE D'ASSISTANCE TECHNIQUE AGRÉÉ.

►► 11. DIAGNOSTIC DU VOYANT

Un voyant est installé sur l'appareil de chauffage pour monitorer le fonctionnement de l'appareil (Fig. 25):

•VOYANT ÉTEINT (condition normale): Cela signifie que l'appareil de chauffage est éteint ou qu'il fonctionne normalement.

•VOYANT ALLUMÉ EN CONTINU: Cela signifie que l'appareil de chauffage est bloqué.

►► 12.EXTINCTION

Si vous souhaitez éteindre l'appareil de chauffage, placer le bouton sur «O» (Fig. 23).

ATTENTION: LORSQUE LE BOUTON EST SUR LA POSITION «O», L'APPAREIL DE CHAUFFAGE EST ÉTEINT, MAIS IL EST ENCORE ALIMENTÉ PAR LE RÉSEAU ÉLECTRIQUE. POUR LES ENTRETIENS, NETTOYAGE OU AUTRE, IL FAUT ISOLER COMPLÈTEMENT L'APPAREIL DE CHAUFFAGE DU RÉSEAU ÉLECTRIQUE (Fig. 24).

►► 13.RACCORDEMENT DU THERMOSTAT D'AMBIANCE À DISTANCE

••IMPORTANT: Lorsque l'appareil de chauffage est contrôlé par un thermostat d'ambiance à distance, il peut se rallumer à tout moment quand la température descend en dessous du seuil imposé.

Pour raccorder le thermostat d'ambiance à distance, enlever le bouchon relié à l'appareil de chauffage et connecter le thermostat d'ambiance à distance (option) (Fig. 26).

►► 14.NETTOYAGE DE L'APPAREIL DE CHAUFFAGE

••IMPORTANT: Il est interdit d'effectuer toute opération de nettoyage sans avoir éteint l'appareil de chauffage (Fig. 23) et sans l'avoir coupé de l'alimentation (Fig. 24).

Les seules opérations de nettoyage que l'utilisateur peut effectuer concernent les surfaces extérieures de l'appareil de chauffage. Nettoyer la partie extérieure de l'appareil de chauffage uniquement à l'aide d'un chiffon humide non abrasif (ne pas utiliser d'éponges avec des produits agressifs ou des détergents en poudre). Après avoir nettoyé la surface, l'essuyer soigneusement.

ATTENTION: SI L'APPAREIL DE CHAUFFAGE NÉCESSITE D'UN NETTOYAGE EN PROFONDEUR, S'ADRESSER AU CENTRE D'ASSISTANCE AGRÉÉ.

►► 15.MISE HORS SERVICE DE L'APPAREIL DE CHAUFFAGE

Si l'appareil de chauffage n'est pas utilisé pendant une période de temps de moyenne à longue, débrancher l'appareil du réseau électrique (Fig. 24) en le protégeant de l'humidité et de la poussière. Lorsque vous réutilisez l'appareil, contrôlez l'état d'entretien du câble électrique; si vous avez des doutes quant à son état de conservation, faites intervenir le centre d'assistance technique agréé. Dans tous les cas, faire vérifier l'appareil une fois par an.

►► 16.OPTIONS

- Kit de montage pour l'extérieur (mode de recirculation d'air ou d'aspiration, selon la position du volet externe).
- Thermostat d'ambiance à distance.
- Diffuseur bouche de sortie de l'air.

►► 17. ANOMALIES, CAUSES ET SOLUTIONS

ANOMALIES	CAUSES	SOLUTIONS
L'appareil de chauffage ne fonctionne pas	Défaut de tension	1. Vérifier l'installation du réseau 2. Vérifier les branchements électriques 3. Centre d'assistance technique agréé
	Raccordement erroné du thermostat d'ambiance	1. Raccorder correctement le thermostat d'ambiance
L'appareil de chauffage ne fonctionne pas en mode chauffage	Intervention du thermostat d'ambiance (option)	1. Configurer le thermostat d'ambiance à une température inférieure à la température ambiante
	Raccordement erroné du thermostat d'ambiance	1. Raccorder correctement le thermostat d'ambiance
	Capuchon de la prise du thermostat d'ambiance mal inséré	1. Insérer correctement le capuchon sur la prise
	Défaut d'alimentation du gaz	1. Vérifier l'installation de gaz 2. Centre d'assistance technique agréé
	Appareil de chauffage bloqué	1. Rétablir l'appareil de chauffage en portant le sélecteur d'allumage sur la position «0» 2. Centre d'assistance technique agréé
	Appareils électroniques défectueux	1. Centre d'assistance technique agréé
	Étalonnage erroné de l'appareil de chauffage	1. Centre d'assistance technique agréé
La flamme ne reste pas allumée	Appareils électroniques défectueux	1. Centre d'assistance technique agréé
La flamme s'éteint pendant le fonctionnement	Intervention du thermostat d'ambiance (option)	1. Configurer le thermostat d'ambiance à une température inférieure à la température ambiante
	Défaut d'alimentation du gaz	1. Vérifier l'installation de gaz 2. Centre d'assistance technique agréé
	Défaut de tension	1. Vérifier l'installation du réseau 2. Vérifier les branchements électriques 3. Centre d'assistance technique agréé
	Surchauffe de l'appareil de chauffage	1. Nettoyer la prise d'air (coté inférieur) et réarmer le thermostat de sécurité manuel (Fig. 27) 2. Température limite d'utilisation de l'appareil de chauffage trop élevée 3. Température d'aspiration de l'air trop élevée 4. Exposition élevée au rayons du soleil 5. Centre d'assistance technique agréé

SPIS ROZDZIAŁÓW

1...	<i>OPIS</i>
2...	<i>OSTRZEŻENIA</i>
3...	<i>ROZPAKOWYWANIE</i>
4...	<i>PRZEMIESZCZANIE</i>
5...	<i>USTAWIANIE</i>
6...	<i>PODŁĄCZENIE DO SIECI GAZOWEJ</i>
7...	<i>PODŁĄCZENIE DO SIECI ELEKTRYCZNEJ</i>
8...	<i>KONWERSJA NA INNY RODZAJU GAZU</i>
9...	<i>RODZAJ PALIWA</i>
10...	<i>WŁĄCZANIE</i>
11...	<i>KONTROLKA DIAGNOSTYCZNA</i>
12...	<i>WYŁĄCZANIE</i>
13...	<i>PRZYŁĄCZANIE ZDALNEGO TERMOSTATU OTOCZENIA</i>
14...	<i>CZYSZCZENIE NAGRZEWNICY</i>
15...	<i>WYŁĄCZENIE NAGRZEWNICY Z EKSPLOATACJI</i>
16...	<i>OPCJE</i>
17...	<i>PROBLEMY, PRZYCZYNY I ŚRODKI ZARADCZE</i>

UWAGA: PRZED PRYZYSTAPIENIEM DO MONTAŻU, URUCHOMIENIA LUB KONSERWACJI TEGO NALEŻY PRZECZYTAĆ I ZROZUMIEĆ NINIEJSZĄ INSTRUKCJĘ. NIEPOPRAWNE UŻYCIĘ NAGRZEWNICY MOŻE BYĆ PRZYCZYNĄ POWAŻNYCH OBRAŻEŃ. NINIEJSZĄ INSTRUKCJĘ NALEŻY ZACHOWAĆ NA PRZYSZŁOŚĆ.

►► 1.OPIS

Prezentowana nagrzewnica gazowa to produkt emitujący ciepło do powietrza w otoczeniu, w którym pracuje, wykorzystując naturalny gaz lub ciekły propan. Jest przeznaczona do instalacji stałej wewnątrz lub na zewnątrz, po uprzedniej ocenie pomieszczeń. Do montażu są wykorzystywane specjalne zestawy. Powietrze pochłaniane przez odśrodkowy system wentylacyjny jest przesyłane do palnika, w którym następuje spalanie. Tam powietrze ulega nagrzaniu i jest przesyłane z powrotem do otoczenia. System bezpośredniego spalania miesza produkty spalania z pochłanianym powietrzem, a następnie uwalnia je do otoczenia. Ponieważ objętość podgrzewanego powietrza jest większa od faktycznego zapotrzebowania w procesie spalania. Ciepłe powietrze wychodzi z niewielką zawartością dwutlenku węgla.

Dzięki takiemu systemowi nagrzewnica charakteryzuje się:

- Maksymalną skutecznością cieplną.
- Niską inercją termiczną.
- Niewielkimi wymiarami i masą.
- Prostym wzornictwem.
- Wysokim poziomem niezawodności.

Dzięki specjalnej funkcji istnieje możliwość aktywowania tylko zespołu wentylującego, uzyskując w ten sposób urządzenie do wymiany powietrza.

Produkt jest identyfikowany dzięki tabliczce znamionowej, znajdującej się na nagrzewnicy, na której umieszczono w sposób trwały rodzaje paliw gazowych, dopuszczonych do zastosowania, oraz specyfikację i wszystkie informacje techniczne o nagrzewnicy. W przypadku uszkodzenia lub zgubienia tabliczki znamionowej, należy zwrócić się do autoryzowanego punktu pomocy technicznej z prośbą o jej duplikat.

►► 2. OSTRZEŻENIA

••2.1. ⚠️ **WAŻNE:** Producent odpowiada za zgodność swojego produktu z przepisami, dyrektywami i normami konstrukcyjnymi, obowiązującymi w momencie wprowadzenia produktu na rynek. Znajomość i przestrzeganie zaleceń zawartych w regulacjach prawnych oraz w normach dotyczących projektowania instalacji, montażu i eksploatacji oraz konserwacji leżą wyłącznie w zakresie upoważnionego techniczka, punktu pomocy technicznej i użytkownika.

••2.2. ⚠️ **WAŻNE:** Producent nie ponosi odpowiedzialności za nieprzestrzeganie zaleceń zawartych w niniejszej instrukcji obsługi oraz za wszelkiego rodzaju konsekwencje operacji, do których urządzenie nie zostało przeznaczone; nie odpowiada także za ewentualne tłumaczenia stanowiące źródło błędnych interpretacji.

••2.3. ⚠️ **WAŻNE:** Niniejsza instrukcja obsługi stanowi część integralną części nagrzewnicy, w związku z czym należy ją stale przechowywać z należytą dbałością, w pobliżu urządzenia, także w razie przekazania go innemu użytkownikowi lub właścicielowi. W przypadku uszkodzenia lub zgubienia tabliczki znamionowej lub instrukcji obsługi, należy zwrócić się do autoryzowanego punktu pomocy technicznej z prośbą o duplikat.

••2.4. ⚠️ **WAŻNE:** Niniejsza nagrzewnica nie może być używana przez osoby (w tym dzieci) o ograniczonych zdolnościach fizycznych, sensorycznych i umysłowych lub przez osoby niedoświadczone, chyba że będą one nadzorowane przez osobę odpowiedzialną za ich bezpieczeństwo. Należy nadzorować dzieci, aby upewnić się, że nie bawią się one nagrzewnicą. Trzymać zwierzęta w bezpiecznej odległości od nagrzewnicy.

••2.5. ⚠️ **WAŻNE:** Nieprawidłowe posługiwanie się nagrzewnicą może doprowadzić do szkód lub do zagrożenia życia, zranień, oparzeń, wybuchów, wstrząsów elektrycznych lub zatrucia.

Pierwsze objawy zatrucia tlenkiem węgla przypominają objawy grypy i towarzyszy im ból głowy, zawroty głowy i/lub nudności. Takie objawy mogą być spowodowane wadliwym funkcjonowaniem nagrzewnicy. **W RAZIE POJAWIENIA SIĘ WYMIENIONYCH OBJAWÓW, NALEŻY NATYCHMIAST WYJŚĆ NA OTWARTĄ PRZESTRZEŃ;** należy również zlecić naprawę nagrzewnicy autoryzowanemu punktowi obsługi technicznej.

••2.6. ⚠️ **WAŻNE:** Odpowiedzialność producenta, czy to umowna czy regulowana poza umową, nie obejmuje szkód spowodowanych na ludziach, zwierzętach lub mieniu, będących konsekwencją błędów instalacyjnych, regulacyjnych i konserwacyjnych, bądź nieprawidłowej obsługi.

••2.7. ⚠️ **WAŻNE:** Odniesienia do przepisów prawnych, norm, dyrektyw i zasad technicznych, przywoływanych ewentualnie w niniejszej instrukcji, mają wyłącznie charakter informacyjny i dotyczą stanu faktycznego obowiązującego w dniu druku niniejszego dokumentu. Wejście w życie nowych przepisów lub zmiany wprowadzane do przepisów obowiązujących nie stanowią podstawy do powstania jakiegokolwiek obowiązku ze strony producenta wobec podmiotów trzecich.

••2.8. ⚠️ **WAŻNE:** Ustawienie i zamocowanie nagrzewnicy musi być przeprowadzone przez wykwalifikowanych pracowników. Podłączenie do sieci gazowej i do sieci elektrycznej należy powierzyć doświadczonemu technikowi, który po zakończeniu pracy wystawi właścicielowi zaświadczenie o zgodności wykonanej instalacji z zasadami sztuki, czyli z zaleceniami obowiązujących zasad oraz ze wskazówkami przedstawionymi przez producenta w niniejszej instrukcji. Prace wymagające dostępu do części niebezpiecznych (konserwacja, naprawy itp.) muszą być przeprowadzane przez autoryzowany punkt obsługi technicznej, aby nie dopuścić do jakichkolwiek zagrożeń.

••2.9. **⚠WAŻNE:** Nagrzewnica nie jest wyposażona w regulatory gazu i przewody podłączeniowe do sieci, w związku z czym należy zwrócić się do wykwalifikowanego technika, który przeprowadzi instalację.

••2.10. **⚠WAŻNE:** Nagrzewnica jest dostarczana z ustawieniami pod konkretny typ gazu. Wszelkiego rodzaju przekształcenia i regulacje muszą być wykonywane przez wykwalifikowanego technika lub przez autoryzowany punkt obsługi technicznej. **W RAZIE PRZEKSZTAŁCEN LUB REGULACJI NALEŻY WYPEŁNIĆ PUSTĄ TABLICZKĘ ZNAMIONOWĄ DOSTARCZONĄ WRAZ Z NAGRZEWNICĄ.**

pl ••2.11. **⚠WAŻNE:** Wykwalifikowany technik musi sprawdzić ustawienia ciśnienia doprowadzanego gazu.

••2.12. **⚠WAŻNE:** Nagrzewnicę można instalować wyłącznie według zaleceń zawartych w niniejszej instrukcji, co pozwoli uniknąć zagrożenia pożarem.

••2.13. **⚠WAŻNE:** Nie stosować do nagrzewania pomieszczeń i budynków mieszkalnych; w przypadku zastosowań w budynkach użyteczności publicznej należy zastosować się do rozporządzeń krajowych.

••2.14. Aby zapewnić prawidłową obsługę nagrzewnicy i prawidłowe przechowywanie paliwa, należy stosować się do wszystkich lokalnych rozporządzeń i obowiązujących norm.

••2.15. W przypadku, gdy nagrzewnica jest instalowana wewnątrz pomieszczenia, należy zapewnić prawidłową wymianę powietrza. Dlatego należy ją stosować na w pomieszczeniach z zapewnioną ciągłą wymianą powietrza. Instalację i ocenę jakości wymiany powietrza należy przeprowadzić zgodnie z obowiązującymi normami krajowymi, z uwzględnieniem norm technicznych i zaleceń dotyczących zapobiegania nieszczęśliwym wypadkom i przepisów przeciwpożarowych.

••2.16. Urządzenie można używać wyłącznie jako nagrzewnicę ciepłego powietrza

(tryb nagrzewania) lub jako wentylator (tryb wentylacja). Obsługując nagrzewnicę należy ściśle stosować się do przedstawionych zaleceń.

••2.17. Wartości doprowadzanego do nagrzewnicy paliwa, gazu pod ciśnieniem, napięcia i częstotliwości elektrycznej muszą być bezwzględnie zgodne z danymi umieszczonymi na tabliczce znamionowej znajdującej się na nagrzewnicy.

••2.18. Upewnić się, że nagrzewnica została podłączona do sieci elektrycznej prawidłowo wyposażonej w wyłącznik różnicowy z odpowiednim uziemieniem.

••2.19. Bezwzględnie zabrania się stosowania nagrzewnicy w piwnicach, suterenach i pomieszczeniach pod poziomem gruntu.

••2.20. Nagrzewnicy nie wolno używać w pomieszczeniach, w których znajdują się wybuchowe pyły, spaliny, gazy, paliwa, rozpuszczalniki i lakiery itp.

••2.21. W przypadku używania nagrzewnicy w pobliżu namiotów, kurtyn i podobnych osłon, zalecamy używanie dodatkowych niepalnych zabezpieczeń. Należy dbać o zachowanie odpowiedniej odległości gorącej części urządzenia, która bezwzględnie nie może być mniejsza niż 3 m, od materiałów łatwopalnych (tkaniny, papier, drewno itp.) lub nietrwałych termicznie (w tym kabel zasilacza).

••2.22. Zakaz zastawiania znajdującego się z tyłu wlotu powietrza oraz umiejscowionego z przodu wylotu powietrza (czy to całości, czy częściowo). Na wejściu do nagrzewnicy i na wyjściu z niej mogą być używane kanały powietrza. Dopuszcza się wyłącznie stosowanie akcesoriów dostarczanych przez producenta w ramach wyposażenia dodatkowego.

••2.23. W przypadku braku zapłonu lub nieprawidłowego zapłonu nagrzewnicy, należy zapoznać się z treścią odpowiedniego rozdziału (Paragraf „Problemy, przyczyny i środki zaradcze”).

••2.24. Nie wolno przestawiać, naruszać ani poddawać jakimkolwiek pracom konserwacyjnym pracującej nagrzewnicy.

••2.25.W czasie działania nagrzewnicy lub po jej zatrzymaniu, ale przy doprowadzonym napięciu, obowiązuje zakaz otwierania bocznych drzwiczek rewizyjnych i przeprowadzania jakichkolwiek prac wewnątrz urządzenia.

••2.26.W razie wyczucia zapachu ulatniającego się gazu, należy niezwłocznie wyłączyć nagrzewnicę, odciąć dopływ gazu, odłączyć nagrzewnicę od sieci, otworzyć drzwi i okna, aby przewietrzyć pomieszczenie, a następnie skontaktować się z autoryzowanym serwisem technicznym.

••2.27.Jeżeli nagrzewnica jest kontrolowana przez zdalny termostat otoczenia (opcja), może włączyć się ponownie w dowolnym momencie, o ile temperatura spadnie poniżej ustawionego progu.

••2.28.W przypadku długotrwałych okresów nieaktywności nagrzewnicy zalecamy kontakt z autoryzowanym punktem pomocy technicznej, który zajmie się jej ponownym uruchomieniem.

••2.29.Do nagrzewnicy można dołączać tylko oryginalne akcesoria. Producent nie odpowiada za ewentualne szkody powstałe na skutek niewłaściwej obsługi nagrzewnicy i stosowania nieoryginalnych materiałów i akcesoriów.

••2.30.Nie wolno modyfikować ani naruszać nagrzewnicy, ponieważ mogłoby to doprowadzić do niebezpiecznych sytuacji. Producent nie odpowiada za ewentualne szkody.

••2.31.Zakaz ustawiania przedmiotów na nagrzewnicy.

••2.32.Zakaz wkładania przedmiotów przez kratki nagrzewnicy.

••2.33.Zakaz dotykania kratki wylotowej powietrza, ponieważ w trakcie normalnego działania może ona osiągać wysoką temperaturę, grożącą poważnymi obrażeniami.

••2.34.Zakaz stosowania przejściówek, rozgałęźników i przedłużaczy do podłączania nagrzewnicy do sieci elektrycznej.

••2.35.Zakaz przeprowadzania jakiegokolwiek czyszczenia i konserwacji na

nagrzewnicy nieodłączonej od sieci elektrycznej i od doprowadzenia paliwa.

••2.36.Co najmniej raz w roku i zawsze w razie potrzeby należy zlecać autoryzowanemu punktowi obsługi technicznej kontrolę prawidłowego działania nagrzewnicy.

▶▶3.ROZPAKOWYWANIE ZAKAZ WYRZUCANIA, POZOSTAWIANIA BEZ NADZORU LUB W ZASIĘGU DZIE- CI MATERIAŁÓW TAKICH JAK KARTON, FOLIA PO OPAKOWANIU, TORBY ITP., PONIEWAŻ MOGĄ ONE STANOWIĆ ŹRÓ- DŁO ZAGROŻENIA.

Należy usunąć wszystkie materiały użyte do pakowania i wysyłki nagrzewnicy, i zlikwidować je zgodnie z obowiązującymi przepisami. Należy sprawdzić ewentualne uszkodzenia powstałe podczas transportu. W razie stwierdzenia oznak uszkodzenia nagrzewnicy, należy niezwłocznie poinformować autoryzowanego sprzedawcę.

▶▶4.PRZEMIESZCZANIE NAGRZEWNICA MOŻE BYĆ PRZEMIESZ- CZANA PRZEZ WYKWALIFIKOWANYCH PRACOWNIKÓW, KORZYSTAJĄCYCH Z ODPOWIEDNICH URZĄDZEŃ I SPRZĘTU, ZGODNIE Z UREGULOWANIAMİ OBO- WIĄZUJĄCYMI W DANYM KRAJU ORAZ OGÓLNIE PRZYJĘTYMI NORMAMI.

▶4.1.PRZEMIESZCZANIE NAGRZEWNICY Z OPAKOWANIEM

Nagrzewnicę można podnosić przy pomocy wózka podnośnikowego, umieszczając jego wsporniki pod dolną podstawą opakowania.

▶4.2.PRZEMIESZCZANIE NAGRZEWNICY BEZ OPAKOWANIA

Można ją podnosić przy pomocy wózka podnośnikowego, umieszczając jego wsporniki pod dolną podstawą opakowania, lub używając łańcuchów i haków do podczepienia.

►► 5. USTAWIANIE (Rys. 1)

PRZED PRZYSTĄPIENIEM DO INSTALACJI NALEŻY UWAŻNIE ZAPOZNAĆ SIĘ Z OSTRZEŻENIAMI, A NASTĘPNIE, W TRAKCIE WYKONYWANIA PRAC, PRZESTRZEGAĆ ZALECEŃ ZAWARTYCH W NINIEJSZEJ INSTRUKCJI.

NAGRZEWNICA MOŻE BYĆ USTAWIANA PRZEZ WYKWALIFIKOWANYCH PRACOWNIKÓW, KORZYSTAJĄCYCH Z ODPOWIEDNICH URZĄDZEŃ I SPRZĘTU, ZGODNIE Z UREGULOWANIAMI OBOWIĄZUJĄCYMI W DANYM KRAJU ORAZ OGÓLNIE PRZYJĘTYMI NORMAMI.

pl ••WAŻNE: Aby nie doszło do szkód na mieniu i/lub osobach, nie wolno doprowadzać zasilania do nagrzewnicy, dopóki nie zostanie zakończony montaż.

Nagrzewnica została zaprojektowana w sposób umożliwiający jej montowanie wewnątrz i na zewnątrz budynku. Montaż zewnętrzny jest możliwy wyłącznie przy zastosowaniu specjalnego oryginalnego zestawu (Paragraf „Opcje”). Przed przystąpieniem do ustawiania nagrzewnicy, należy się upewnić, że wybrano prawidłowe miejsce do montażu, z dala od materiałów łatwopalnych, w odpowiedniej odległości od ziemi, w taki sposób, aby kratka wentylacyjna, znajdująca się na dole nagrzewnicy, nie była zasłonięta nawet częściowo. Z tego względu należy sprawdzić czy kratka znajduje się w odpowiedniej odległości od gruntu i materiałów, które mogłyby być zassane. Miejsce instalacji musi być łatwo dostępne, dające dobre warunki do przeprowadzania standardowych czynności konserwacyjnych i kontrolnych. Kwestią zasadniczą jest bezpieczne i solidne zamocowanie nagrzewnicy do struktury. Zakaz podczepiania dodatkowych obciążeń do nagrzewnicy.

► 5.1. INSTALACJA WEWNĄTRZ, PRZYSUFITOWA (Rys. 2-3)

Każdy łańcuch i każdy hak do zawieszania muszą wytrzymywać minimalne obciążenie

100 kg. Podłoże, na którym ma być zamocowane urządzenie (np. sufit), musi wytrzymywać minimalne obciążenie 200 kg. Kąt między łańcuchami musi być dodatni i musi gwarantować stabilność, aby nie doszło do niebezpiecznych wahań.

► 5.2. INSTALACJA WEWNĄTRZ, NAŚCIENNA (Rys. 4)

Każdy kołek wbijany do muru musi wytrzymywać minimalną siłę ciągnięcia o wartości 200 kg. Struktura murowana musi wytrzymać obciążenie masą nagrzewnicy umieszczonej na wspornikach.

► 5.3. INSTALACJA NA ZEWNĄTRZ, NAŚCIENNA (Rys. 5)

Każdy kołek wbijany do muru musi wytrzymywać minimalną siłę ciągnięcia o wartości 200 kg. Struktura murowana musi wytrzymać obciążenie masą nagrzewnicy umieszczonej na wspornikach. Instalacja przewodów pochłaniania i nadmuchowych powietrza musi być zgodna z parametrami podanymi w oryginalnym zestawie (Paragraf „Opcje”).

►► 6. PODŁĄCZENIE DO SIECI GAZOWEJ (Rys. 6)

PRZED PRZYSTĄPIENIEM DO INSTALACJI NALEŻY UWAŻNIE ZAPOZNAĆ SIĘ Z OSTRZEŻENIAMI, A NASTĘPNIE, W TRAKCIE WYKONYWANIA PRAC, PRZESTRZEGAĆ ZALECEŃ ZAWARTYCH W NINIEJSZEJ INSTRUKCJI.

LINIA DOPROWADZENIA GAZU ORAZ PODŁĄCZENIE MUSZĄ BYĆ WYKONANE PRZEZ UPOWAŻNIONEGO TECHNIKA POSŁUGUJĄCEGO SIĘ ODPOWIEDNIMI URZĄDZENIAMI I NARZĘDZIAMI, ZGODNIE Z PRZEPISAMI KRAJOWYMI I OBOWIĄZUJĄCYMI NORMAMI.

Nagrzewnica została zaprojektowana do pracy z różnymi rodzajami gazów, lecz jest dostarczana z ustawieniem fabrycznym dla konkretnego gazu (patrz tabliczka znamio-

nowa na nagrzewnicy). Aby nie doszło do poważnych uszkodzeń nagrzewnicy, nie wolno przekraczać maksymalnych wartości ciśnienia zasilania podanych na tabliczce znamionowej.

Regulator gazu należy zainstalować na zewnątrz ogrzewanego budynku; musi on gwarantować doprowadzenie gazu pod ciśnieniem zgodnym z normami krajowymi oraz ze specyfikacją techniczną nagrzewnicy. Montaż regulatora wewnątrz budynku jest możliwy wyłącznie w odpowiednio wentylowanym pomieszczeniu. Normy krajowe stanowią pomocny punkt odniesienia przy ustalaniu prawidłowego sposobu montażu.

Przystąpić do podłączenia nagrzewnicy do sieci gazowej, zwracając szczególną uwagę na rodzaje połączeń (gwintowanie ISO 7-1:1994 odpowiednie do połączeń gwintowanych stożkowych) (jest bardzo istotne, aby parametry przewodów gazowych, ich ułożenie i zakotwienie były odpowiednie). W trakcie pierwszego uruchomienia należy sprawdzić przy pomocy atestowanego detektora gazu czy nie występują żadne nieszczelności, spowodowane niedokładnym dokręceniem lub uszkodzeniem obwodu doprowadzenia gazu.

▶▶ 7. PODŁĄCZENIE DO SIECI ELEKTRYCZNEJ

PRZED PRYZYSTĄPIENIEM DO INSTALACJI NALEŻY UWAŻNIE ZAPOZNAĆ SIĘ Z OSTRZEŻENIAMI, A NASTĘPNIE, W TRAKCIE WYKONYWANIA PRAC, PRZESTRZEGAĆ ZALECEŃ ZAWARTYCH W NINIEJSZEJ INSTRUKCJI.

LINIA ZASILANIA ELEKTRYCZNEGO ORAZ PODŁĄCZENIE MUSZĄ BYĆ WYKONANE PRZEZ UPOWAŻNIONEGO TECHNIKA POSŁUGUJĄCEGO SIĘ ODPOWIEDNIMI URZĄDZENIAMI I NARZĘDZIAMI, ZGODNIE Z PRZEPISAMI KRAJOWYMI I OBOWIĄZUJĄCYMI NORMAMI.

••WAŻNE: Nagrzewnicę należy podłączyć do odpowiedniego systemu kontroli różnicowej i nadmiarowej, gwarantującego odcięcie zasilania elektrycznego w przypadku wystąpienia nieprawidłowości w nagrzewnicy. By zapewnić prawidłową pracę nagrzewnicy niezbędne jest prawidłowe uziemienie połączeń.

Zaleca się stosowanie kabla o przekroju 1,5 mm² (AWG 16) typu H07 o długości nieprzekraczającej 5 m. Po upewnieniu się, że nagrzewnica została odcięta od sieci gazowej należy otworzyć odpowiednią tablicę elektryczną (Rys. 7), włożyć kabel zasilający do przepustu kablowego (Rys. 8) i przyłączyć kable do odpowiedniej tabliczki zaciskowej (Rys. 9). Po przyłączeniu należy ponownie uruchomić tablicę elektryczną.

▶▶ 8. KONWERSJA NA INNY RODZAJU GAZU

PRZED PRYZYSTĄPIENIEM DO INSTALACJI NALEŻY UWAŻNIE ZAPOZNAĆ SIĘ Z OSTRZEŻENIAMI, A NASTĘPNIE, W TRAKCIE WYKONYWANIA PRAC, PRZESTRZEGAĆ ZALECEŃ ZAWARTYCH W NINIEJSZEJ INSTRUKCJI.

KONWERSJA NA INNY RODZAJU GAZU TO OPERACJA, KTÓRĄ MOŻE PRZEPROWADZIĆ TYLKO UPOWAŻNIONY TECHNIK AUTORYZOWANEGO PUNKTU OBSŁUGI TECHNICZNEJ, POSŁUGUJĄCY SIĘ ODPOWIEDNIMI NARZĘDZIAMI I SPRZĘTEM, ZGODNIE Z PRZEPISAMI KRAJOWYMI I OBOWIĄZUJĄCYMI NORMAMI.

••WAŻNE: Konwersję można przeprowadzić po zamknięciu i odcięciu nagrzewnicy od sieci gazowej i elektrycznej (Rys. 24).

Typu gazu, do których została dostosowana przedmiotowa nagrzewnica, zostały umieszczone na tabliczce z rodzajami gazów. Ustawienia gazu, przed dokonaniem

konwersji, zostały oznakowane na tabliczce znamionowej, umieszczonej na nagrzewnicy. Po zakończeniu konwersji należy nanieść w sposób trwały, parametry nowych ustawień na pustej tabliczce znamionowej, dołączonej do zestawu, a następnie umieścić ją na urządzeniu. Konwersja na nowy rodzaj gazu przebiega w następujących etapach:

► 8.1. ZDEJMOWANIE RURY ŁĄCZĄCEJ ZAWÓR Z UCHWYTEM DYSZY, ZDEJMOWANIE UCHWYTU DYSZY, ZDEJMOWANIE DYSZY

PROCEDURA:

- 8.1.1. Zdjąć nakrętkę rowkową blokującą stożek od strony zaworu (Rys. 10).
- 8.1.2. Odkręcić śrubę mocującą uchwyt dyszy (Rys. 11).
- 8.1.3. Wysunąć uchwyt dyszy i odcinek rury gazowej (Rys. 12).
- 8.1.4. Zdjąć dyszę gazową (Rys. 13).

UWAGA: ZALECAMY PRZECHOWYWANIE Z DBAŁOŚCIĄ WSZYSTKICH KOMPONENTÓW (USZCZELEK, STOŻKÓW ITP.).

► 8.2. DOBÓR DYSZY

Dobrać odpowiedni rodzaj dyszy:

Dysza GPL = Średnica 5 mm

Dysza G20 = Średnica 10 mm

Dysza G25 = Średnica 10 mm

► 8.3. ZAKŁADANIE RURY ŁĄCZĄCEJ ZAWÓR Z UCHWYTEM DYSZY, ZAKŁADANIE UCHWYTU DYSZY, ZAKŁADANIE DYSZY

PROCEDURA:

- 8.3.1. Zamocować szczelnie dyszę do uchwytu dyszy i sprawdzić czy wybrana dysza odpowiada wybranemu rodzajowi konwersji (Rys. 13).
- 8.3.2. Włożyć uchwyt dyszy z rurą pod palnik i zamocować śrubą do podstawy (Rys. 12-11).
- 8.3.3. Dokręcić złączkę blokującą stożek do zaworu gazu (Rys. 10).
- 8.3.4. Sprawdzić szczelność połączeń.

UWAGA: W PRZYPADKU STOSOWANIA GAZU G20-G25 NALEŻY ZAINSTALOWAĆ KOŁNIERZ REDUKCYJNY NA

PRZEWODACH POWIETRZA (Rys. 14). KOŁNIERZ JEST NIEZBĘDNY WYŁĄCZNIE W PRZYPADKU GAZU TYPU G20-G25.

► 8.4. REGULACJA CIŚNIENIA NA WYLOCIE Z WIELOFUNKCYJNEGO ZAWORU GAZU

UWAGA: REGULACJĘ NALEŻY PRZEPROWADZIĆ SZYBKO I PRECYZYJNIE.

Po zmontowaniu przewodu z nową dyszą należy ustawić wielofunkcyjny zawór gazu w nagrzewnicy na ciśnienie zasilania o prawidłowej wartości. Regulację ciśnienia trzeba przeprowadzić na działającej nagrzewnicy z podłączonym gazem. Przed przystąpieniem do wykonywania tych prac należy się upewnić, że nagrzewnica jest zasilana prawidłowym rodzajem gazu, odpowiadającym zainstalowanej dyszy.

PROCEDURA:

- 8.4.1. Znaleźć miejsce pomiaru ciśnienia na wylocie do zaworu gazu i zdjąć śrubę mocującą (Rys. 15).
- 8.4.2. Podłączyć giętkie gumowe węże i upewnić się, że połączenie jest szczelne (Rys. 16). Z uwagi na fakt, że ciśnienie kalibracji ma niewielkie wartości, należy użyć wysokoprecyzyjnego manometru różnicowego lub, najlepiej, manometru wodnego.
- 8.4.3. Zdjąć pokrywę ochronną (Rys. 17) i znaleźć śrubę regulującą, służącą do ustawiania ciśnienia w zaworze gazu.
- 8.4.4. Przygotować odpowiedni przyrząd do przestawienia trzpienia regulującego.
- 8.4.5. Włączyć nagrzewnicę i poczekać kilka sekund, w czasie których następuje wstępne mycie. Po upływie tego czasu zostaje otwarty gaz i zapala się płomień. Dokładnie w tym momencie należy przekręcić trzpień (Rys. 18), do osiągnięcia wymaganego ciśnienia na wyjściu (obrót w prawą stronę zwiększa wartość ciśnienia, w lewą - zmniejsza). Po ustawieniu ciśnienia zalecamy powtórzenie cyklu włączania trzykrotnie, z zamkniętymi drzwiczkami rewizyjnymi, sprawdzając

wartość ciśnienia na wyjściu z zaworu gazu. Przed zakończeniem konwersji należy sprawdzić czy złącza i przewody gazowe są szczelne.

•8.4.6. Po zakończeniu konwersji należy nanieść w sposób trwały, parametry nowych ustawień na pustej tabliczce znamionowej, dołączonej do zestawu, a następnie umieścić ją na urządzeniu (Rys. 19).

►► 9. RODZAJ PALIWA

ABY NIE DOSZŁO DO POWAŻNEGO USZKODZENIA NAGRZEWNICY, NALEŻY UŻYWAĆ WYŁĄCZNIE GAZU W KATEGORII PODANEJ NA NAKLEJCE Z TYPAMI GAZÓW.

►► 10. WŁĄCZANIE (Objaśnienia dotyczące włączania, wentylacji i ogrzewania) (Rys. 20)

W TRAKCIE WYKONYWANIA PRAC NALEŻY UWAŻNIE ZAPOZNAĆ SIĘ Z OSTRZEŻENIAMI I PRZESTRZEGAĆ ZALECEŃ ZAWARTYCH W NINIEJSZEJ INSTRUKCJI.

ROZRUCH MUSI BYĆ PRZEPROWADZONY PRZEZ WYKWALIFIKOWANEGO TECHNIKA LUB PRZEZ AUTORYZOWANY PUNKT OBSŁUGI TECHNICZNEJ.

••WAŻNE: Przed rozruchem należy sprawdzić czy wewnątrz nagrzewnicy nie pozostały fragmenty opakowania lub akcesoria.

••WAŻNE: Przed włączeniem należy sprawdzić czy nagrzewnica została prawidłowo zainstalowana (podłączenie gazu, czy ciśnienie na wejściu i podłączenie elektryczne odpowiadają obowiązującym normom i czy są zgodne z danymi na tabliczce znamionowej), tak aby nic nie torowało przepływu powietrza.

••WAŻNE: W trakcie pierwszego uruchomienia należy sprawdzić przy pomocy atestowanego detektora gazu czy nie występują żadne nieszczelności, spowodowane nie-

dokładnym dokręceniem lub uszkodzeniem obwodu doprowadzenia gazu.

Nagrzewnica może pracować w trybie wentylacji lub w trybie nagrzewania. Aby uruchomić tryb wentylacji, należy przestawić przycisk do pozycji "WIATRAK" (Rys. 21), w ten sposób w nagrzewnicy zostanie uruchomiony tylko silnik, a obwód gazu pozostanie zamknięty. Jeżeli zamierza się uruchomić tryb nagrzewania, należy ustawić przycisk w pozycji "PŁOMIEŃ" (Rys. 22). Nagrzewnica, po uruchomieniu samego wentylatora, w celu przeprowadzenia wstępnego mycia komory spalania, trwającego około 30 sekund, otwiera obwód gazu i wznieca płomień, po czym rozpoczyna się spalanie.

Jeżeli zapłon nie nastąpi trzy razy z rzędu, nagrzewnica blokuje się. Aby zresetować nagrzewnicę, należy ustawić przycisk zapłonu do pozycji "O" (Rys. 23). Zapobiegawcza analiza ewentualnych przyczyn została przedstawiona w formie tabeli z nieprawidłowościami (Paragraf „Nieprawidłowości, przyczyny i środki zaradcze”).

UWAGA: JEŻELI ZAPŁON NIE NASTĄPI TRZY RAZY Z RZĘDU, NALEŻY SPRAWDZIĆ PRZYCZYNĘ TAKIEGO ZJAWISKA, ZLECAJĄC KONTROLĘ AUTORYZOWANEMU PUNKTOWI POMOCY TECHNICZNEJ.

►► 11. KONTROLKA DIAGNOSTYCZNA

Na nagrzewnicy została zainstalowana kontrolka do monitorowania działania urządzenia (Rys. 25):

•KONTROLKA WYŁĄCZONA (normalny stan): Oznacza, że nagrzewnica jest wyłączona lub działa prawidłowo.

•KONTROLKA ŚWIECĄCA ŚWIATŁEM CIĄGŁYM: Sygnalizuje blokadę nagrzewnicy.

▶▶ 12. WYŁĄCZANIE

Jeżeli zamierza się wyłączyć nagrzewnicę, należy ustawić przycisk w pozycji "O" (Rys. 23).

UWAGA: GDY PRZYCISK JEST W POŁOŻENIU "O", NAGRZEWNICA JEST WYŁĄCZONA, ALE NADAL ZASILANA Z SIECI ELEKTRYCZNEJ. NA CZAS KONSERWACJI, CZYSZCZENIA LUB INNYCH PRAC, NALEŻY CAŁKOWICIE ODŁĄCZYĆ NAGRZEWNICĘ OD SIECI ELEKTRYCZNEJ (Rys. 24).

▶▶ 13. PRZYŁĄCZANIE ZDALNEGO TERMOSTATU OTOCZENIA

pl ••WAŻNE: Jeżeli nagrzewnica jest kontrolowana przez zdalny termostat otoczenia, może włączyć się ponownie w dowolnym momencie, o ile temperatura spadnie poniżej ustawionego progu.

Aby podłączyć zdalny termostat otoczenia, należy zdjąć nakrętkę połączoną z nagrzewnicą i przyłączyć zdalny termostat otoczenia (opcja) (Rys. 26).

▶▶ 14. CZYSZCZENIE NAGRZEWNICY

••WAŻNE: Zakaz wykonywania jakiegokolwiek czyszczenia na niewyłączonej wcześniej nagrzewnicy (Rys. 23) i bez odłączenia od niej kabla zasilającego (Rys. 24).

Użytkownik może we własnym zakresie czyścić wyłącznie zewnętrzne powierzchnie nagrzewnicy. Zewnętrzne części nagrzewnicy należy czyścić tylko wilgotną, nieszorstką ściereczką (nie używać gąbek z produktami o agresywnym działaniu ani ze środkami czyszczącymi w proszku). Po wyczyszczeniu dokładnie wysuszyć powierzchnię.

UWAGA: JEŻELI NAGRZEWNICA WYMAGA DOKŁADNIEJSZEGO WYCZYSZCZENIA, NALEŻY SIĘ ZWRÓCIĆ DO AUTORYZOWANEGO PUNKTU POMOCY TECHNICZNEJ.

▶▶ 15. WYŁĄCZENIE NAGRZEWNICY Z EKSPLOATACJI

Jeżeli nagrzewnica jest nieużywana przez średnio-długi okres, należy ją odłączyć od sieci elektrycznej (Rys. 24) i zabezpieczyć przed wilgocią i kurzem. W przypadku ponownego korzystania z nagrzewnicy należy sprawdzić stan techniczny kabla elektrycznego; w razie wątpliwości, co do jego prawidłowego stanu należy zwrócić się do autoryzowanego punktu obsługi technicznej. Nagrzewnicę należy bezwzględnie kontrolować raz w roku.

▶▶ 16. OPCJE

- Zestaw do montażu zewnętrznego (recyrkulacja lub tryb ssania powietrza uzależniony jest od położenia zewnętrznej przepustnicy).
- Zdalny termostat otoczenia.
- Dyfuzor na wylocie powietrza.

►► 17. PROBLEMY, PRZYCZYNY I ŚRODKI ZARADCZE

PROBLEMY	PRZYCZYNY	SPOSÓB ROZWIĄZANIA
Nagrzewnica nie działa	Brak napięcia	1.Sprawdzić instalację sieci 2.Sprawdzić połączenia elektryczne 3.Autoryzowany punkt pomocy technicznej
	Nieprawidłowe podłączenie termostatu otoczenia	1.Podłączyć prawidłowo termostat otoczenia
Nagrzewnica nie działa w trybie nagrzewania	Reakcja termostatu otoczenia (opcja)	1.Ustawić termostat otoczenia na jak najniższą temperaturę otoczenia
	Nieprawidłowe podłączenie termostatu otoczenia	1.Podłączyć prawidłowo termostat otoczenia
	Nieprawidłowo założony kapturek na gnieździe termostatu otoczenia	1.Założyć prawidłowo kapturek na gniazdo
	Brak doprowadzenia gazu	1.Sprawdzić instalację gazową 2.Autoryzowany punkt pomocy technicznej
	Blokada nagrzewnicy	1.Należy ponownie włączyć nagrzewnicę, umieszczając przycisk zasilania na "0" 2.Autoryzowany punkt pomocy technicznej
	Uszkodzony sprzęt elektroniczny	1.Autoryzowany punkt pomocy technicznej
	Nieprawidłowa kalibracja nagrzewnicy	1.Autoryzowany punkt pomocy technicznej
Płomień nie utrzymuje się	Uszkodzony sprzęt elektroniczny	1.Autoryzowany punkt pomocy technicznej
Płomień gaśnie w trakcie normalnego działania	Reakcja termostatu otoczenia (opcja)	1.Ustawić termostat otoczenia na jak najniższą temperaturę otoczenia
	Brak doprowadzenia gazu	1.Sprawdzić instalację gazową 2.Autoryzowany punkt pomocy technicznej
	Brak napięcia	1.Sprawdzić instalację sieci 2.Sprawdzić połączenia elektryczne. 3.Autoryzowany punkt pomocy technicznej
	Przegrzanie nagrzewnicy	1.Należy wyczyścić wlot powietrza (w dolnej części) i powtórnie ręcznie załączyć termostat przegrzania (Rys. 27) 2.Graniczna temperatura pracy nagrzewnicy jest zbyt wysoka 3.Temperaturę pochłanianego powietrza jest zbyt wysoka 4.Zbyt duże narażenie na działanie promieni słonecznych 5.Autoryzowany punkt pomocy technicznej

СОДЕРЖАНИЕ ПАРАГРАФОВ

1...	ОПИСАНИЕ
2...	ПРЕДУПРЕЖДЕНИЯ
3...	РАСПАКОВКА
4...	ПЕРЕМЕЩЕНИЕ
5...	РАЗМЕЩЕНИЕ
6...	ПОДКЛЮЧЕНИЕ К СЕТИ ГАЗОСНАБЖЕНИЯ
7...	ПОДКЛЮЧЕНИЕ К СЕТИ ЭЛЕКТРОСНАБЖЕНИЯ
8...	ПЕРЕХОД НА ДРУГОЙ ТИП ГАЗА
9...	ТИП ТОПЛИВА
10...	ВКЛЮЧЕНИЕ
11...	ДИАГНОСТИЧЕСКАЯ ИНДИКАТОРНАЯ ЛАМПА
12...	ВЫКЛЮЧЕНИЕ
13...	ПОДКЛЮЧЕНИЕ ДИСТАНЦИОННОГО ТЕРМОСТАТА ДЛЯ КОНТРОЛЯ ПОМЕЩЕНИЯ
14...	ОЧИСТКА НАГРЕВАТЕЛЯ
15...	ВЫВОД ОБОГРЕВАТЕЛЯ ИЗ ЭКСПЛУАТАЦИИ
16...	ОПЦИИ
17...	НЕИСПРАВНОСТИ, ПРИЧИНЫ И УСТРАНЕНИЕ

ВАЖНО: ПРОЧЕСТЬ И УСВОИТЬ НАСТОЯЩЕЕ ОПЕРАТИВНОЕ РУКОВОДСТВО ПО ЭКСПЛУАТАЦИИ ПЕРЕД ВЫПОЛНЕНИЕМ СБОРКИ, ВВОДОМ В ЭКСПЛУАТАЦИЮ ИЛИ ТЕХОБСЛУЖИВАНИЕМ ОБОГРЕВАТЕЛЯ. НЕПРАВИЛЬНАЯ ЭКСПЛУАТАЦИЯ ОБОГРЕВАТЕЛЯ МОЖЕТ СТАТЬ ПРИЧИНОЙ СЕРЬЁЗНЫХ ТРАВМ. ХРАНИТЬ НАСТОЯЩЕЕ РУКОВОДСТВО ДЛЯ ДАЛЬНЕЙШЕЙ КОНСУЛЬТАЦИИ.

►► 1. ОПИСАНИЕ

Данный газовый обогреватель является продуктом, отдающим тепло в воздух пространства, в котором он работает, используя натуральный газ или жидкий пропан. Предназначен для постоянной установки в помещении или снаружи после оценки помещений; для установки используются специальные наборы.

Воздух, всасываемый центробежной системой вентиляции, поступает на горелку, которая контролирует процесс горения. Таким образом воздух нагревается и возвращается в окружающую среду. Данная система прямого горения смешивает продукты горения со всасываемым воздухом, выпуская их затем в окружающую среду. Поскольку объем обрабатываемого воздуха превышает фактические потребности процесса горения. Выходящий горячий воздух содержит низкое количество двуокиси углерода.

Данная система позволяет реализовать обогреватель, характеризующийся:

- Максимальной тепловой эффективностью.
- Низкой тепловой инерцией.
- Небольшими размерами и весом.
- Простым дизайном.
- Максимальной надежностью.

Можно, посредством специальной функции, включить только вентиляционный блок, заставляя воздух перемещаться.

Идентификация данного изделия осуществляется с помощью таблички, установленной на обогревателе, на которую нестирающимися знаками нанесена информация о горючем газе, который следует использовать, характеристиках и вся техническая информация, касающаяся обогревателя. В случае повреждения или потери таблички или руководства по эксплуатации закажите дубликат в уполномоченном центре технической поддержки.

►► 2. ПРЕДОСТЕРЕЖЕНИЯ

••2.1. **⚠ВАЖНО:** Изготовитель несет ответственность за соответствие собственного продукта требованиям законодательства, директив или нормам изготовления, действующим в момент его введения в торговый оборот. Ответственность за знание и соблюдение требований закона и нормативов по проектированию, установке, эксплуатации и техобслуживанию оборудования несут квалифицированный техник уполномоченного центра технической помощи и пользователь.

••2.2. **⚠ВАЖНО:** Изготовитель отклоняет ответственность за несоблюдение инструкций, содержащихся в данном руководстве по эксплуатации, за последствия любой операции, выполненной, но не предусмотренной данным пособием, за перевод, который может привести к неправильному пониманию информации.

••2.3. **⚠ВАЖНО:** Данное руководство по эксплуатации является интегральной частью обогревателя и всегда должен аккуратно храниться и сопровождать аппарат, в том числе в случае передачи обогревателя другому владельцу или пользователю. В случае повреждения или потери таблички или руководства по эксплуатации закажите дубликат в уполномоченном центре технической поддержки.

••2.4. **⚠ВАЖНО:** Не допускается эксплуатация данного обогревателя лицами (включая детей) с ограниченными физическими, сенсорными, умственными способностями. Не допускается эксплуатация обогревателя лицами, не обладающими достаточным опытом и знаниями, если они действуют без присмотра лица, отвечающего за их безопасность. Не оставлять детей без присмотра и не разрешать им играть с обогревателем. Животные должны находиться на безопасном расстоянии от обогревателя.

••2.5. **⚠ВАЖНО:** Использование обогревателя не по назначению может

стать причиной нанесения ущерба, поставить под угрозу жизнь людей, привести к травмам, ожогам, взрывам, поражению электрическим током или отравлению. Первые симптомы отравления угарным газом напоминают грипп: головные боли, головокружение и/или тошнота. Эти симптомы могут быть вызваны сбоем в работе обогревателя. **В СЛУЧАЕ ПОЯВЛЕНИЯ ДАННЫХ СИМПТОМОВ НЕМЕДЛЕННО ВЫЙТИ НА ОТКРЫТЫЙ ВОЗДУХ** и обратиться в технический сервисный центр для проведения ремонта обогревателя.

••2.6. **⚠ВАЖНО:** Исключена любая ответственность, связанная с договором или не связанная с ним, за любой ущерб, который может быть нанесен людям, животным или имуществу в результате ошибок, допущенных во время установки, регулировки, техобслуживания или ненадлежащего использования.

••2.7. **⚠ВАЖНО:** Ссылки на законодательные документы, нормативы, директивы и технические правила, упоминаемые в настоящем документе, приведены с информативной целью и считаются действующими на момент выпуска данного документа. Вступление в силу новых положений или внесение изменений в действующие законы или нормативы не связывает изготовителя какими-либо обязательствами по отношению к третьим лицам.

••2.8. **⚠ВАЖНО:** Размещение и прикрепление обогревателя должно выполняться квалифицированным персоналом. Подключение к сети газоснабжения должно выполняться уполномоченным техником, который по окончании работы оставляет владельцу декларацию соответствия монтажа, выполненного надлежащим образом, требованиям действующих нормативов и указаниям изготовителя, изложенным в данном руководстве по эксплуатации. Операции, которые предусматривают доступ к опасным частям (техобслуживание, ремонт и пр.), должны выполняться уполномоченным центром технической под-

держки так, чтобы предупредить любой риск.

••2.9. **⚠ВАЖНО:** Обогреватель не оснащен регуляторами газа или трубами для подключения к газораспределительной сети, поэтому для установки обогревателя необходимо обратиться к технику, имеющему соответствующую квалификацию.

••2.10. **⚠ВАЖНО:** Обогреватель поставляется настроенным на определенный тип газа. Любая трансформация и регулировка должна выполняться техником, имеющим соответствующую квалификацию, или уполномоченным центром технической поддержки. **ПЕРЕД ВЫПОЛНЕНИЕМ ТРАНСФОРМАЦИИ ИЛИ РЕГУЛИРОВКИ ДОЛЖНА БЫТЬ ЗАПОЛНЕНА ПУСТАЯ ТАБЛИЧКА С ДАННЫМИ, ВХОДЯЩАЯ В КОМПЛЕКТ ПОСТАВКИ ОБОГРЕВАТЕЛЯ.**

••2.11. **⚠ВАЖНО:** Настройки давления газа должны проверяться уполномоченным квалифицированным техником.

••2.12. **⚠ВАЖНО:** Обогреватель должен быть установлен только в соответствии с инструкциями, содержащимися в данном руководстве по эксплуатации, чтобы предотвратить риск пожара.

••2.13. **⚠ВАЖНО:** Не использовать для отопления помещений в жилых зданиях; для использования в зданиях общественного назначения придерживаться соответствующих государственных норм.

••2.14. Для правильной эксплуатации обогревателя и хранения топлива необходимо придерживаться всех местных положений и действующих норм.

••2.15. Обогреватель, если установлен внутри, нуждается в адекватном воздухообмене. Поэтому следует его использовать на открытом воздухе или в помещениях, где обеспечен непрерывно действующий воздухообмен. Для установки следует придерживаться действующих национальных норм, включая технические нормы, правил техники безопасности и правил предотвращения пожаров.

••2.16. Аппарат должен использоваться только как нагреватель горячего воздуха (режим отопления) или вентилятор (режим вентилирования). При использовании следует строго придерживаться настоящих инструкций.

••2.17. Обогреватель должен питаться только горючим; давление газа, напряжение и частота электротока указаны на табличке данных, нанесенной на обогреватель.

••2.18. Убедиться, что обогреватель подключен к сети электропитания, оснащенной дифференциальным выключателем с подходящей системой заземления.

••2.19. Строжайше запрещено использовать обогреватель в полуподвальных помещениях или помещениях, находящихся ниже уровня земли.

••2.20. Обогреватель нельзя использовать в помещениях, содержащих взрывоопасную пыль, дым, газ, топливо, растворители, лакокрасочные материалы.

••2.21. Если обогреватель используется вблизи с тентами, занавесами или схожими материалами, рекомендуется использовать дополнительные огнестойкие покрытия. Всегда необходимо держать горячие части обогревателя на расстоянии не менее 3 м от воспламеняющихся материалов (ткань, бумага, древесина и т.п.) или материалов, разлагающихся под воздействием тепла (включая кабель блока питания).

••2.22. Ни по какой причине нельзя полностью или частично закрывать воздухозаборное отверстие (с задней стороны) и/или патрубков выхода воздуха (с передней стороны). Можно использовать воздухопроводы в/из обогревателя. Единственными разрешенными являются те, которые опционально поставляются изготовителем.

••2.23. Если обогреватель не включается или включение сопровождается аномалиями, см. специальный раздел (Параграф "Неисправности, причины и устранение").

••2.24. Запрещено передвигать обогреватель или выполнять любые работы по обслуживанию обогревателя во время его работы.

••2.25. Во время функционирования нагревателя или при остановленном нагревателе, но под напряжением, запрещено открывать боковые смотровые дверцы и выполнять вмешательства внутри.

••2.26. Если чувствуется запах газа, немедленно выключите обогреватель, отключите подачу газа, отключите обогреватель от сети электропитания, проветрите помещение, открыв окна, затем обратитесь в уполномоченный центр технической поддержки.

••2.27. Когда обогреватель управляется дистанционным термостатом для контроля окружающей среды (опционально), он может включиться в любой момент, когда температура снизится ниже заданного предела.

••2.28. После длительных периодов простоя обогревателя рекомендуем обратиться в уполномоченный центр технической поддержки для запуска обогревателя.

••2.29. Обогреватель должен быть оснащен только оригинальными комплектующими. Изготовитель отклоняет любую ответственность за возможный ущерб, возникший в результате ненадлежащего использования обогревателя и использования не оригинальных материалов и комплектующих.

••2.30. Не изменяйте и не вскрывайте обогреватель, поскольку это может привести к возникновению опасных ситуаций. Изготовитель не несет ответственности за возможный нанесенный ущерб.

••2.31. Запрещено класть какие-либо предметы на обогреватель.

••2.32. Запрещено вводить предметы через решетку нагревателя.

••2.33. Запрещено прикасаться к решетке выхода воздуха, поскольку во время нормального функционирования решетка может нагреваться до высоких температур и причинять тяжелые ожоги.

••2.34. Запрещено использовать переходники, многогнездовые розетки и удлинители для подключения обогревателя к электросети.

••2.35. Запрещена любая операция очистки и техобслуживания без предварительного отключения обогревателя от электросети и газораспределительной сети.

••2.36. Обеспечить проверку обогревателя уполномоченным центром технической поддержки не менее одного раза в год и/или в зависимости от необходимости и правильное функционирование обогревателя.

▶▶3.РАСПАКОВКА

ЗАПРЕЩЕНО ВЫБРАСЫВАТЬ, ОСТАВЛЯТЬ ВОКРУГ ИЛИ В ЗОНЕ ДОСЯГАЕМОСТИ ДЕТЕЙ МАТЕРИАЛЫ (КАРТОН, УПАКОВОЧНУЮ ПЛАСТМАССУ, СУМКИ И ПР.), ПОСКОЛЬКУ МОГУТ ПРЕДСТАВЛЯТЬ ОПАСНОСТЬ.

Удалите все упаковочные материалы, использованные для упаковки и транспортировки обогревателя, утилизируйте их согласно действующих норм. Проверьте, нет ли повреждений, полученных во время перевозки. Если обогреватель оказывается поврежденным, немедленно поставьте в известность торгового агента.

▶▶4.ПЕРЕМЕЩЕНИЕ

ПЕРЕМЕЩЕНИЕ ОБОГРЕВАТЕЛЯ ДОЛЖНО ВЫПОЛНЯТЬСЯ КВАЛИФИЦИРОВАННЫМ ПЕРСОНАЛОМ С ИСПОЛЬЗОВАНИЕМ ПОДХОДЯЩИХ УСТРОЙСТВ И ИНСТРУМЕНТОВ, В СООТВЕТСТВИИ С НАЦИОНАЛЬНЫМ ЗАКОНОДАТЕЛЬСТВОМ И ДЕЙСТВУЮЩИМИ НОРМАТИВАМИ.

▶4.1.ПЕРЕМЕЩЕНИЕ ОБОГРЕВАТЕЛЯ С УПАКОВКОЙ

Можно поднимать обогреватель с помощью автопогрузчика, располагая опоры под нижнее основание упаковки.

► 4.2. ПЕРЕМЕЩЕНИЕ ОБОГРЕВАТЕЛЯ БЕЗ УПАКОВКИ

Можно поднимать обогреватель с помощью автопогрузчика, размещая опоры под нижнее основание упаковки или используя подвесные цепи и крючья.

►► 5. РАЗМЕЩЕНИЕ (Рис. 1)

ВНИМАТЕЛЬНО ПРОЧИТАЙТЕ ПРЕДОСТЕРЕЖЕНИЯ И ВЫПОЛНЯЙТЕ РЕКОМЕНДАЦИИ, СОДЕРЖАЩИЕСЯ В ДАННОМ РУКОВОДСТВЕ ПО ЭКСПЛУАТАЦИИ, ПЕРЕД И ВО ВРЕМЯ УСТАНОВКИ.

РАЗМЕЩЕНИЕ ОБОГРЕВАТЕЛЯ ДОЛЖНО ВЫПОЛНЯТЬСЯ КВАЛИФИЦИРОВАННЫМ ПЕРСОНАЛОМ, ИСПОЛЬЗУЯ ПОДХОДЯЩИЕ УСТРОЙСТВА И ИНСТРУМЕНТЫ, В СООТВЕТСТВИИ С НАЦИОНАЛЬНЫМ ЗАКОНОДАТЕЛЬСТВОМ И ДЕЙСТВУЮЩИМИ НОРМАТИВАМИ.

••ВАЖНО: Не подавать питание на обогреватель до завершения установки, чтобы не нанести ущерб людям и имуществу.

Данный обогреватель разработан для установки внутри или снаружи здания. Установка снаружи возможна только с использованием оригинального комплекта (Параграф "Опции"). Перед размещением обогревателя убедитесь в том, что выбранное вами место правильно с точки зрения установки, расположено далеко от воспламеняющихся материалов, что соблюдено соответствующее расстояние от земли так, чтобы не закрывать, даже частично, аспирационную решетку, установленную на дне обогревателя. Поэтому необходимо проверить адекватное расстояние от земли или материалов, которые могут быть аспирированы. Место установки должно быть легкодоступным, чтобы облегчить нормальные операции техобслуживания и контроля. Очень важно, чтобы обогреватель был прикреплен надежно и окончательно к структуре. Запрещено цеплять дополнительный вес на нагреватель.

► 5.1. ПОТОЛОЧНАЯ УСТАНОВКА (Рис. 2-3)

Каждая цепочка и каждый подвесной крючок должен выдерживать вес не менее 100 кг. Поверхность прикрепления (например, потолок), должна выдерживать вес не менее 200 кг. Угол между цепями должен быть положительным и иметь величину, обеспечивающую стабильность, чтобы избежать опасных колебаний.

► 5.2. УСТАНОВКА НА СТЕНЕ (Рис. 4)

Каждый настенный дюбель должен выдерживать натяжение не менее 200 кг. Стена должна выдерживать вес обогревателя, установленного на кронштейны.

► 5.3. ВНЕШНЯЯ НАСТЕННАЯ УСТАНОВКА (Рис. 5)

Каждый настенный дюбель должен выдерживать натяжение не менее 200 кг. Стена должна выдерживать вес обогревателя, установленного на кронштейны. Установка аспирационных трубопроводов и выброс воздуха должны отвечать требованиям, содержащимся в инструкции оригинального комплекта (Параграф "Опции").

►► 6. ПОДКЛЮЧЕНИЕ К ГАЗОРАСПРЕДЕЛИТЕЛЬНОЙ СЕТИ (Рис. 6)

ВНИМАТЕЛЬНО ПРОЧИТАЙТЕ ПРЕДОСТЕРЕЖЕНИЯ И ВЫПОЛНЯЙТЕ РЕКОМЕНДАЦИИ, СОДЕРЖАЩИЕСЯ В ДАННОМ РУКОВОДСТВЕ ПО ЭКСПЛУАТАЦИИ, ПЕРЕД И ВО ВРЕМЯ УСТАНОВКИ.

ПРОКЛАДКА ГАЗОПРОВОДА И ПОДКЛЮЧЕНИЕ ДОЛЖНО ВЫПОЛНЯТЬСЯ КВАЛИФИЦИРОВАННЫМ ТЕХНИКОМ С ИСПОЛЬЗОВАНИЕМ ПОДХОДЯЩИХ УСТРОЙСТВ И ИНСТРУМЕНТОВ, В СООТВЕТСТВИИ С НАЦИОНАЛЬНЫМ ЗАКОНОДАТЕЛЬСТВОМ И ДЕЙСТВУЮЩИМИ НОРМАТИВАМИ.

Обогреватель разработан для работы с различными типами газа, но поставляется с фабричными настройками (см. табличку данных, нанесенную на обогреватель). Никогда не превышайте максимальных значений,

приведенных на табличке с данными, чтобы не причинить серьезного ущерба обогревателю.

Регулятор газа должен быть установлен снаружи здания и гарантировать подачу под давлением, соответствующим национальным нормативам и техническим характеристикам обогревателя. Внутренняя установка регулятора возможна только в соответствующем вентилируемом помещении. Национальные нормативы помогут вам правильно выполнить установку.

Подключите обогреватель к сети газораспределения, уделяя максимальное внимание типу соединения (резьба ISO 7-1:1994, подходящая к уплотнению на конической резьбе) (очень важно, чтобы размеры газовых труб, их положение и их прикрепление были адекватны). Во время первого включения проверьте с помощью надежного течеискателя наличие возможных потерь, возникших в результате неправильной затяжки или повреждения газового контура.

►► 7. ПОДКЛЮЧЕНИЕ К ЭЛЕКТРОСЕТИ

ВНИМАТЕЛЬНО ПРОЧИТАЙТЕ ПРЕДОСТЕРЕЖЕНИЯ И ВЫПОЛНЯЙТЕ РЕКОМЕНДАЦИИ, СОДЕРЖАЩИЕСЯ В ДАННОМ РУКОВОДСТВЕ ПО ЭКСПЛУАТАЦИИ, ПЕРЕД И ВО ВРЕМЯ УСТАНОВКИ.

ПРОКЛАДКА ГАЗОПРОВОДА И ПОДКЛЮЧЕНИЕ ДОЛЖНО ВЫПОЛНЯТЬСЯ КВАЛИФИЦИРОВАННЫМ ТЕХНИКОМ С ИСПОЛЬЗОВАНИЕМ ПОДХОДЯЩИХ УСТРОЙСТВ И ИНСТРУМЕНТОВ, В СООТВЕТСТВИИ С НАЦИОНАЛЬНЫМ ЗАКОНОДАТЕЛЬСТВОМ И ДЕЙСТВУЮЩИМИ НОРМАТИВАМИ.

••ВАЖНО: Нагреватель должен быть подключен к соответствующей дифференциальной и термомагнитной системе управления, которая гарантирует отключение электропитания в случае неисправности обогревателя. Для правильной работы нагревателя необходимо обеспечить надежное заземление.

Рекомендуем использовать кабель сечением 1,5 мм² (AWG 16) типа H07 длиной не более 5 м. Убедившись в том, что обогреватель изолирован от газораспределительной сети, откройте электрощит (Рис. 7), введите кабель электропитания в кабельную муфту (Рис. 8) и подключите кабели к соответствующей клеммной колодке (Рис. 9). После выполнения подключения восстановите работу электрощита.

►► 8. ПЕРЕХОД НА ДРУГОЙ ТИП ГАЗА

ВНИМАТЕЛЬНО ПРОЧИТАЙТЕ ПРЕДОСТЕРЕЖЕНИЯ И ВЫПОЛНЯЙТЕ РЕКОМЕНДАЦИИ, СОДЕРЖАЩИЕСЯ В ДАННОМ РУКОВОДСТВЕ ПО ЭКСПЛУАТАЦИИ, ПЕРЕД И ВО ВРЕМЯ УСТАНОВКИ.

ПЕРЕХОД НА ДРУГОЙ ТИП ГАЗА ДОЛЖЕН ОСУЩЕСТВЛЯТЬСЯ КВАЛИФИЦИРОВАННЫМ ТЕХНИКОМ ИЛИ УПОЛНОМОЧЕННЫМ ЦЕНТРОМ ТЕХНИЧЕСКОЙ ПОДДЕРЖКИ С ИСПОЛЬЗОВАНИЕМ СООТВЕТСТВУЮЩИХ УСТРОЙСТВ И ИНСТРУМЕНТОВ, В СООТВЕТСТВИИ С НАЦИОНАЛЬНЫМ ЗАКОНОДАТЕЛЬСТВОМ И ДЕЙСТВУЮЩИМИ НОРМАТИВАМИ.

••ВАЖНО: Операция по переходу на другой тип газа должна выполняться после закрытия и отключения обогревателя от сети газо- и электроснабжения и (Рис. 24).

Типы газа, совместимые с данным обогревателем, приведены на этикетке типологии газа. Настройка газа, имеющаяся перед выполнением конверсии обогревателя, указана на табличке данных, установленной на обогревателе. По завершении конверсии газа необходимо нанести нестирающиеся и несмывающиеся параметры новых настроек на пустую табличку, входящую в комплект поставки, затем установить ее на обогревателе. Этапы перехода на другой тип газа можно кратко изложить следующим образом:

► 8.1. СНЯТИЕ ТРУБЫ, СОЕДИНЯЮЩЕЙ КЛАПАН И ДЕРЖАТЕЛЬ ФОРСУНКИ, СНЯТИЕ ДЕРЖАТЕЛЯ ФОРСУНКИ, СНЯТИЕ ФОРСУНКИ

ПОРЯДОК ВЫПОЛНЕНИЯ:

- 8.1.1. Снимите колечко, сжимающее наконечник со стороны клапана (Рис. 10).
 - 8.1.2. Снимите крепежный винт держателя форсунки (Рис. 11).
 - 8.1.3. Снимите держатель форсунки и отрезок газовой трубы (Рис. 12).
 - 8.1.4. Снимите газовую форсунку (Рис. 13).
- ВНИМАНИЕ: РЕКОМЕНДУЕМ ТЩАТЕЛЬНО СОХРАНИТЬ ВСЕ КОМПОНЕНТЫ (УПЛОТНЕНИЯ, КОНУСЫ И ПР.).**

► 8.2. ВЫБОР ФОРСУНКИ

Выберите нужную форсунку:

Форсунка сжиженного газа = Диаметр 5 мм

Форсунка G20 = Диаметр 10 мм

Форсунка G25 = Диаметр 10 мм

► 8.3. ВОССТАНОВЛЕНИЕ ТРУБЫ, СОЕДИНЯЮЩЕЙ КЛАПАН И ДЕРЖАТЕЛЬ ФОРСУНКИ, ВОССТАНОВЛЕНИЕ ФОРСУНКИ

ПОРЯДОК ВЫПОЛНЕНИЯ:

- 8.3.1. Герметично прикрепите форсунку к держателю, проследив, чтобы выбранная форсунка подходила к выбранному газу (Рис. 13).
- 8.3.2. Введите держатель форсунки вместе с трубкой под горелку, прикрепив к основанию с помощью винта (Рис. 12-11).
- 8.3.3. Прикрепите соединение кольца, сжимающего наконечник, к газовому клапану (Рис. 10).
- 8.3.4. Проверьте герметичность соединений.

ВНИМАНИЕ: В СЛУЧАЕ ИСПОЛЬЗОВАНИЯ ГАЗА G20-G25 УСТАНОВИТЕ ХОМУТ ДЛЯ УМЕНЬШЕНИЯ ОБЪЕМА ВОЗДУХА (Рис. 14). ДАННЫЙ ХОМУТ НЕОБХОДИМ ТОЛЬКО ДЛЯ ТИПОВ ГАЗА G20-G25.

► 8.4. РЕГУЛИРОВКА ДАВЛЕНИЯ НА ВЫХОДЕ МУЛЬТИФУНКЦИОНАЛЬНОГО ГАЗОВОГО КЛАПАНА

ВНИМАНИЕ: ОПЕРАЦИЯ РЕГУЛИРОВКИ ДОЛЖНА ВЫПОЛНЯТЬСЯ БЫСТРО И ТОЧНО.

После сборки трубы и новой форсунки необходимо отрегулировать многофункциональный газовый клапан обогревателя на новое правильное давление питания. Регулировка давления должна выполняться на функционирующем обогревателе при подключенном газе. До начала операций по регулировке убедитесь в том, что газ, подаваемый на обогреватель, соответствует установленной насадке.

ПОРЯДОК ВЫПОЛНЕНИЯ:

- 8.4.1. Определите точку измерения давления на выходе газового клапана и снимите зажимный винт (Рис. 15).
- 8.4.2. Подключите резиновый шланг, проверив герметичность (Рис. 16). Учитывая, что давления тарирования минимальны, используйте дифференциальный манометр повышенной точности или, лучше, водяной манометр.
- 8.4.3. Снимите защитную крышку (Рис. 17) и определите винт вращения, который позволит регулировать давление на газовом клапане.
- 8.4.4. Подготовьте специальный инструмент для регулировочного стержня.
- 8.4.5. Включите нагреватель и подождите несколько секунд подготовки. После этого начнет выходить газ и зажжется огонь. В этот момент необходимо начать поворачивать стержень (Рис. 18) до достижения требуемого давления выхода (вращение по часовой стрелке повышает давление, против часовой стрелки - снижает). После регуляции давления рекомендуем повторить цикл включения три раза при закрытой смотровой дверце, проверяя давление на выходе газового клапана. Перед завершением операции необходимо проверить, чтобы соединения и газопроводы были герметичны.
- 8.4.6. По завершении конверсии газа необходимо нанести нестирающиеся и несмывающиеся параметры новых настроек на пустую табличку, входящую в комплект поставки, затем установить ее на обогревателе (Рис. 19).

►► 9.ТИП ГОРЮЧЕГО

ИСПОЛЬЗУЙТЕ ТОЛЬКО ГАЗ КАТЕГОРИИ, УКАЗАННОЙ НА СООТВЕТСТВУЮЩЕЙ НАКЛЕЙКЕ, ЧТОБЫ ПРЕДУПРЕДИТЬ НАНЕСЕНИЕ ОБОГРЕВАТЕЛЮ СЕРЬЕЗНОГО УЩЕРБА.

►► 10.ВКЛЮЧЕНИЕ (Инструкции по включению, вентилированию и отоплению) (Рис. 20)

ВНИМАТЕЛЬНО ПРОЧИТАЙТЕ ПРЕДОСТЕРЕЖЕНИЯ И ВЫПОЛНЯЙТЕ РЕКОМЕНДАЦИИ, СОДЕРЖАЩИЕСЯ В ДАННОМ РУКОВОДСТВЕ ПО ЭКСПЛУАТАЦИИ ВО ВРЕМЯ ЭКСПЛУАТАЦИИ ОБОГРЕВАТЕЛЯ.

ПЕРВОЕ ВКЛЮЧЕНИЕ ДОЛЖНО ВЫПОЛНЯТЬСЯ КВАЛИФИЦИРОВАННЫМ ТЕХНИКОМ ИЛИ УПОЛНОМОЧЕННЫМ ЦЕНТРОМ ТЕХНИЧЕСКОЙ ПОДДЕРЖКИ.

••ВАЖНО: Перед первым включением проверьте, чтобы внутри обогревателя не было остатков упаковки или комплектующих.

••ВАЖНО: Перед включением проверьте, чтобы обогреватель был правильно установлен (подключение газа, давление на входе и электрическое подключение должны отвечать требованиям действующих нормативов и указаниям таблички данных), и чтобы не было препятствий, перекрывающих воздушный контур.

••ВАЖНО: Во время первого включения проверьте с помощью надежного теческатора возможные потери, возникшие в результате неправильной затяжки или повреждения газового контура.

Обогреватель может функционировать в режиме вентилирования или отопления. Для активирования режима вентилирования переведите кнопку в положение "ВЕНТИЛЯТОР" (Рис. 21), и обогреватель запустит только двигатель, не открывая контур газа. Если нужно включить режим отопления, переведите кнопку в положение "ОГОНЬ" (Рис. 22). Обогреватель, после включения только вентиляции для того,

чтобы обеспечить подготовку камеры горения на протяжении примерно 30 секунд, откроет газовый контур и выбьет искру, запуская горение.

Если не произойдет загорания более трех раз, обогреватель блокируется. Для настройки обогревателя приведите кнопку включения в положение "О" (Рис. 23). Предварительный анализ возможных причин неисправностей приведен в таблице (Параграф "Неисправности, причины и устранение").

ВНИМАНИЕ: ЕСЛИ ОТСУТСТВУЕТ ЗАЖИГАНИЕ БОЛЕЕ ТРЕХ РАЗ, НЕОБХОДИМО ПРОВЕРИТЬ ПРИЧИНЫ, ОБРАТИВШИСЬ В УПОЛНОМОЧЕННЫЙ ЦЕНТР ТЕХНИЧЕСКОЙ ПОДДЕРЖКИ.

►► 11.ДИАГНОСТИЧЕСКАЯ ИНДИКАТОРНАЯ ЛАМПА

На обогревателе установлена индикаторная лампа для мониторинга функционирования обогревателя (Рис. 25):

•ИНДИКАТОРНАЯ ЛАМПА (обычные условия): Означает, что обогреватель выключен или функционирует правильно.

•ИНДИКАТОРНАЯ ЛАМПА ГОРИТ НЕПРЕРЫВНО: Означает, что обогреватель заблокирован.

►► 12.ВЫКЛЮЧЕН

Если нужно выключить обогреватель, переведите кнопку в положение "О" (Рис. 23). **ВНИМАНИЕ: КОГДА КНОПКА НАХОДИТСЯ В ПОЛОЖЕНИИ "О", ОБОГРЕВАТЕЛЬ ВЫКЛЮЧЕН, НО ВСЕ ЕЩЕ ПОДКЛЮЧЕН К СЕТИ ЭЛЕКТРОПИТАНИЯ. ДЛЯ ТЕХОБСЛУЖИВАНИЯ, ЧИСТКИ И Т. Д. НЕОБХОДИМО ПОЛНОСТЬЮ ОТСОЕДИНИТЬ ОБОГРЕВАТЕЛЬ ОТ ЭЛЕКТРОСЕТИ (Рис. 24).**

►► 13. ПОДКЛЮЧЕНИЕ ТЕРМОСТАТА

••ВАЖНО: Когда обогреватель управляется дистанционным термостатом для контроля окружающей среды (опционально), он может включиться в любой момент, когда температура снизится ниже заданного предела.

Для подключения дистанционного термостата контроля окружающей среды снимите колпачок, подсоединенный к обогревателю, и подсоедините термостат (опционально) (Рис. 26).

►► 14. ОЧИСТКА ОБОГРЕВАТЕЛЯ

••ВАЖНО: Запрещено выполнять любые операции по очистке, если обогреватель прежде не будет выключен (Рис. 23) и отключен от сети электропитания (Рис. 24).

Единственные возможные операции очистки, которые может выполнять пользователь, касаются внешних поверхностей обогревателя. Очистите внешние поверхности только влажной не абразивной тканью (не используйте губки с агрессивными продуктами или порошковыми моющими средствами). После очистки аккуратно высушите поверхность.

ВНИМАНИЕ: ЕСЛИ ОБОГРЕВАТЕЛЬ НУЖДАЕТСЯ БОЛЕЕ ГЛУБОКОЙ ОЧИСТКЕ, ОБРАТИТЕСЬ В УПОЛНОМОЧЕННЫЙ ЦЕНТР ТЕХНИЧЕСКОЙ ПОДДЕРЖКИ.

►► 15. ВЫВОД ОБОГРЕВАТЕЛЯ ИЗ ЭКСПЛУАТАЦИИ

Если обогреватель не используется на протяжении среднего или длительного периода, отключите его от электросети (Рис. 24), защитите от влажности и пыли. Если обогреватель снова предстоит использовать, необходимо проверить состояние кабеля питания; в случае возникновения сомнений касательно его сохранности обратитесь в сервисный центр. В любом случае проверяйте обогреватель один раз в год.

►► 16. ОПЦИОНАЛЬНЫЕ КОМПЛЕКТУЮЩИЕ

- Комплект для внешнего монтажа (режим рециркуляции или забора воздуха в зависимости от внешней позиции заслонки).
- Дистанционный термостат для контроля помещения.
- Диффузор отверстия для выхода воздуха.

►► 17. НЕИСПРАВНОСТИ, ПРИЧИНЫ И УСТРАНЕНИЕ

НЕИСПРАВНОСТИ	ПРИЧИНЫ	СПОСОБЫ УСТРАНЕНИЯ
Обогреватель не работает	Отсутствует напряжение	1. Проверить сеть электропитания 2. Проверить электрические подключения 3. Центр технической поддержки
	Неправильное подключение термостата для контроля окружающей среды	1. Правильно подключить термостат для контроля окружающей среды
Обогреватель не работает в режиме отопления	Срабатывание термостата для контроля окружающей среды (опционально)	1. Настройте термостат для контроля окружающей среды на более низкую температуру, чем температура окружающей среды
	Неправильное подключение термостата для контроля окружающей среды	1. Правильно подключить термостат контроля окружающей среды
	Колпачок розетки термостата для контроля окружающей среды введен плохо	1. Правильно введите колпачок в розетку
	Отсутствует подача газа	1. Проверьте газовую установку 2. Уполномоченный центр технической поддержки
	Обогреватель заблокирован	1. Восстановите работу обогревателя, переводя кнопку включения в положение "О" 2. Уполномоченный центр технической поддержки
	Дефектная электронная аппаратура	1. Уполномоченный центр технической поддержки
	Неправильное тарирование обогревателя	1. Центр технической поддержки
Пламя не остается зажженным	Дефектная электронная аппаратура	1. Уполномоченный центр технической поддержки
Пламя выключается во время нормального функционирования	Срабатывание термостата для контроля окружающей среды (опционально)	1. Настройте термостат для контроля окружающей среды на более низкую температуру, чем температура окружающей среды
	Отсутствует подача газа	1. Проверьте газовую установку 2. Уполномоченный центр технической поддержки
	Отсутствует напряжение	1. Проверить сеть электропитания 2. Проверить электрические подключения 3. Уполномоченный центр технической поддержки
	Перегрев обогревателя	1. Очистите воздухозаборник (нижнюю часть) и перезапустите ручную термостат перегрева (Рис. 27) 2. Предельная эксплуатационные температура обогревателя слишком высокая 3. Температура аспирации слишком высокая 4. Повышенное воздействие солнечных лучей 5. Уполномоченный центр технической поддержки

A FEJEZETEK LEÍRÁSA

1...	LEÍRÁS
2...	FIGYELMEZTETÉSEK
3...	KICSOMAGOLÁS
4...	MOZGATÁS
5...	BEÁLLÍTÁS
6...	GÁZHÁLÓZATRA CSATLAKOZTATÁS
7...	ELEKTROMOS HÁLÓZATRA CSATLAKOZTATÁS
8...	KONVERTÁLÁS MÁS GÁZ FAJTÁKRA
9...	ÜZEMANYAG FAJTÁJA
10...	BEKAPCSOLÁS
11...	DIAGNOSZTIKAI ELLENŐRZŐLÁMPA
12...	KIKAPCSOLÁS
13...	A KÖRNYEZETI TÁV TERMOSZTÁT CSATLAKOZTATÁSA
14...	A HŐSUGÁRZÓ TISZTÍTÁSA
15...	A HŐSUGÁRZÓ ÜZEMEN KÍVÜL HELYEZÉSE
16...	OPCIÓK
17...	TROUBLESHOOTING

hu

FIGYELEM: A FELSZERELÉS, BEINDÍTÁS VAGY KARBANTARÁS MEGKEZDÉSE ELŐTT OLVASSA EL ÉS ÉRTELMEZZE A JELEN ÚTMUTATÓT. A HŐSUGÁRZÓ HELYTELEN HASZNÁLATA KOMOLY SÉRÜLÉSEKET OKOZHAT. TEGYE EL A JELEN ÚTMUTATÓT A KÉSŐBBI HASZNÁLATRA.

►► 1.LEÍRÁS

A bemutatott gáz hőszugárzó az üzemi környezetébe hő sugárzó termék, gázt vagy folyékony propánt felhasználva. Fix beltéri vagy kültéri felszerelésre, a helyiségek előzetes felmérése után. A felszereléshez speciális készlet szükséges. A centrifugális szellőzőrendszer által beszívott levegő a gázégőre kerül, ahol az égés történik. Az ott felforrósodó levegő visszaküldésre kerül a környezetbe. A közvetlen égésű rendszer elkeveri az égésterméket a beszívott levegővel, majd kiengedi a környezetbe. Miután a felforrósodott levegő térfogata nagyobb az égési folyamat során ténylegesen szükségesnél. A meleg levegő némi széndioxid tartalommal áramlik ki.

Ennek a rendszernek köszönhetően a hőszugárzó tulajdonságai:

- Maximális hőhatásfok.
- Alacsony termikus inercia.
- Nem túl méretek és tömeg.
- Egyszerű design.
- Magas szintű üzembiztonság.

A speciális funkcióknak köszönhetően lehetőség van csak a szellőző egység aktiválására, ezzel a berendezés légcserélőként is használható.

A termék a hőszugárzón található adattábla alapján azonosítható, melyen fix módon feltüntetésre került a használható gáz fajták, valamint a hőszugárzó specifikációja és műszaki információi. Az adattábla megsérülése vagy elvesztése esetén forduljon a márkaszervizhez másodpéldányért.

►► 2.FIGYELMEZTETÉSEK

••2.1.⚠️**FONTOS:** A gyártó felel termékének a piacra való bevezetésekor érvényben levő jogszabályoknak, irányelveknek és szerkezeti normáknak való megfeleléséért. A jogszabályokban és a hálózat tervezésével, szereléssel és üzemeltetéssel, valamint karbantartással kapcsolatos szabványokban leírtak ismerete és betartása kizárólagosan az illetékes technikus, márkaszerviz és a felhasználó határákörébe tartozik.

••2.2.⚠️**FONTOS:** A gyártó nem vállalja a felelősséget az alábbi kezelési útmutatóban leírt ajánlások be nem tartásáért, valamint az olyan műveletek konzekvenciájáért, melyekre a berendezés nem rendeltetett; szintén nem vállal felelősséget a helytelen értelmezés forrását képező esetleges fordításért.

••2.3.⚠️**FONTOS:** A jelen kezelési útmutató a hőszugárzó szerves részét képezi, ezért is azt a kellő gondossággal folyamatosan a hőszugárzó közelében kell tárolni, valamint átadni másik felhasználónak vagy tulajdonosnak. Az adattábla vagy a kezelési útmutató megsérülése vagy elvesztése esetén forduljon a márkaszervizhez másodpéldányért.

••2.4.⚠️**FONTOS:** A jelen hőszugárzót nem kezelhetik korlátozott fizikai, mozgási vagy lelki állapotú, vagy megfelelő tapasztalattal nem rendelkező személyek (beleértve a gyermekeket), kivéve, ha a biztonságukért felelős személyek felügyelik őket. Felügyelje gyermekeket, hogy a hőszugárzóval ne játsszanak. Az állatokat a hőszugárzótól biztonságos távolságban kell tartani.

••2.5.⚠️**FONTOS:** A hőszugárzó helytelen használata károkat vagy életveszélyt, sérülést, megégést, robbanást, áramütést vagy mérgezést okozhat. A szén-monoxid mérgezés első tünetei az influenza tüneteire

emlékeztetnek, fejfájás, szédülés és/vagy hányinger jelentkezik. Ezek a tünetek a hőszugárzó hibás működéséről tanúskodnak. **AZ EMLÍTETT TÜNETEK JELENTKEZÉSEKOR AZONNAL NYITOTT TERÜLETRE KELL KIMENNI;** valamint a márkaszervizben meg kell rendelni a hőszugárzó javítását.

••2.6.⚠️**FONTOS:** A gyártó szerződéses vagy szerződésen kívüli felelőssége nem terjed ki emberek, állatok vagy javak sérülését, melyek a telepítési, szabályozási és karbantartási hibák, vagy a helytelen használat következményeként keletkeznek.

••2.7.⚠️**FONTOS:** A jelen kezelési útmutatóban említett jogszabályok, szabványok, irányelvek és műszaki elvek kizárólagosan tájékoztató jellegűek és a jelen dokumentum nyomtatásának napján érvényes állapotra vonatkoznak. Új jogszabályok életbe lépése vagy az érvényes jogszabályok módosítása nem képezi a gyártó harmadik felekkel szembeni bármiféle kötelezettségének keletkezését.

••2.8.⚠️**FONTOS:** A hőszugárzó beállítását és rögzítését szakképzett dolgozókkal kell elvégeztetni. A gáz-hálózatra és elektromos hálózatra csatlakoztatást tapasztalt technikussal kell elvégeztetni, aki a munka elvégzése után igazolást állít ki az elvégzett hálózati munkák megfelelő módon, tehát az érvényes szabályok utasításai, valamint a gyártó által a jelen útmutatóban bemutatott ajánlásai szerint kerültek elvégzésre. A veszélyes alkatrészekhez való hozzáférést igénylő munkákat (karbantartás, javítások stb.) a veszélyek elkerülése érdekében a márkaszervizzel kell elvégeztetni.

••2.9.⚠️**FONTOS:** A hőszugárzó nincs felszerelve gázszabályozóval, valamint hálózati csatlakozó vezetékkel, ezért szakképzett technikushoz kell fordulni, aki a csatlakoztatást elvégzi.

••2.10.⚠️**FONTOS:** A hőszugárzó konkrét típusú gázra való beállításokkal kerül leszállításra. Valamennyi átalakítást és szabályozást szakképzett technikussal vagy a márkaszervizzel kell elvégeztetni. **ÁTALAKZTÁS VAGY SZABÁLYOZÁS ESETÉN A HŐSZUGÁRZÁSSAL EGYÜTT LESZÁLLÍTOTT ÜRES ADATTÁBLÁT KI KELL TÖLTENI.**

••2.11.⚠️**FONTOS:** A szakképzett technikusnak ellenőriznie kell a bevezett gáz nyomásának beállítását.

••2.12.⚠️**FONTOS:** A hőszugárzót kizárólagosan a jelen útmutatóban leírt utasítások alapján szabad beszerelni, ami lehetővé teszi a tűzveszély elkerülését.

••2.13.⚠️**FONTOS:** Ne használja a hőszugárzót lakóépületek fűtésére; közhasznú épületekben való használatakor a hazai jogszabályokat kell figyelembe venni.

••2.14. A hőszugárzó megfelelő kezelésének és az üzemenyag megfelelő tárolásának biztosítása érdekében igazodni kell a helyi rendelkezésekhez és érvényes szabványokhoz.

••2.15. Amennyiben a hőszugárzó helyiségben kerül telepítésre, ügyelni kell a megfelelő légcserére. Folyamatos légcserével ellátott helyiségekben alkalmazható. A szerelést és légcserét minőségének értékelését a hazai szabványoknak megfelelően kell elvégezni, a műszaki szabványok, balesetmegelőző utasítások és tűzvédelmi előírások betartásával.

••2.16. A berendezést kizárólagosan meleg levegő fűtésére (hőszugárzó üzemmód) vagy szellőzőként (ventilátor üzemmód) lehet használni. A hőszugárzó kezelésekor a bemutatott előírásokat szigorúan be kell tartani.

••2.17. A hőszugárzóba vezetett üzemenyag, nyomás alatti gáz értékeinek, az elektromos feszültségnek és frekven-

ciának feltétel nélkül meg kell felelniük a hőszugárzón elhelyezett adattáblán szereplő adatoknak.

••2.18. Ellenőrizze, hogy a hőszugárzó az elektromos hálózatra megfelelő földeléssel rendelkező védőkapcsolóval került csatlakoztatásra.

••2.19. Feltétel nélkül tilos a hőszugárzót pincében, alagsorban és talajszint alatti helyiségekben használni.

••2.20. Tilos a hőszugárzót olyan helyiségekben használni, ahol robbanó folyadékok, égéstermékek, gázok, üzemenyagok, oldószerek és lakkok stb. találhatóak.

••2.21. A hőszugárzó sátrak, függönyök vagy egyéb elválasztók közelében való használatakor ajánlott plusz nem éghető védelmet alkalmazni. Ügyelni kell a berendezés forró részeitől való megfelelő távolság betartására, ami feltétel nélkül nem lehet 3 méternél kevesebb a könnyen éghető (szövetek, papír, fa, stb), vagy hő tekintetében nem tartós anyagok (csatlakozó kábel) esetében.

••2.22. Tilos a hátul levő levegő bemeneti nyílást és az elől található levegő kimeneti nyílást (egészében vagy részben) letakarni. A hőszugárzó bemenetén és kimenetén légcsatorna alkalmazható. Kizárólagosan a gyártó által kiegészítő felszerelésként leszállított tartozékok alkalmazhatók.

••2.23. A hőszugárzó gyújtásának hiánya, vagy nem megfelelő gyújtása esetén olvassa el a megfelelő fejezetet ("Problémák, okai és elhárításuk").

••2.24. Tilos az üzemelő hőszugárzót átállítani, megbontani vagy azon karbantartási munkát végezni.

••2.25. A hőszugárzó üzeme alatt, vagy leállítása után, de feszültség alatt, tilos az oldalsó szervizajtókat kinyitni és bármilyen munkát végezni a berendezés belsejében.

••2.26.Szivárgó gáz szagának észlelésekor a hőszugárzót haladéktalanul ki kell kapcsolni, a gázt le kell zárni, a hőszugárzót a hálózatról le kell csatlakoztatni, az ajtókat és ablakokat ki kell nyitni a helyiség szellőztetése érdekében, majd a márkaszervizhez kell fordulni.

••2.27.Amennyiben a hőszugárzót környezeti táv termosztát irányítja (opció), bármikor újra bekapcsolhat, ha a hőmérséklet a beállított küszöb alá esik.

••2.28.A hőszugárzó hosszabb idejű leállásakor ajánlott a márkaszervizhez fordulni a berendezés újbóli elindítása érdekében.

••2.29.A hőszugárzóhoz csak eredeti tartozékokat szabad csatlakoztatni. A gyártó nem vállal felelősséget a hőszugárzó nem megfelelő használatából és a nem eredeti anyagok és tartozékok alkalmazásából származó esetleges károkért.

••2.30.Tilos a hőszugárzót módosítani vagy megbontani, mert az veszélyes helyzetekhez vezethet. A gyártó nem vállal felelősséget az esetleges károkért.

••2.31.Tilos a hőszugárzón tárgyakat elhelyezni.

••2.32.Tilos a hőszugárzó rácsán át tárgyakat behelyezni.

••2.33.Tilos a levegő kimeneti rácsát megérinteni, mert a normális üzem során magas hőmérsékletet érhet el, ami komoly megégést okozhat.

••2.34.Tilos a hőszugárzó elektromos hálózatra csatlakoztatásához hosszabítót, elosztót használni.

••2.35.Tilos az elektromos hálózatról és az üzemanyag beadagolásról le nem kapcsolt hőszugárzón bármilyen tisztítási és karbantartási munkát végezni.

••2.36.Legalább évente egyszer és szükség esetén a márkaszerviznél meg kell rendelni a hőszugárzó megfelelő működésnek ellenőrzését.

▶▶ 3.KICSOMAGOLÁS

TILOS KIDOBNI, FELÜGYELET NÉLKÜL VAGY GYERMEKEK KÖZELÉBEN HAGYNI A KARTONT, CSOMAGOLÓ FÓLIÁT, TÁSKÁT STB., MERT AZOK VESZÉLYFORRÁST KÉPEZHETNEK.

A hőszugárzó becsomagolásához és szállításához felhasznált anyagokat el kell távolítani és az érvényes jogszabályoknak megfelelően meg kell semmisíteni. Ellenőrizze a szállítás során keletkező esetleges sérüléseket. A hőszugárzó sérülésének jelei észrevételekor erről haladéktalanul tájékoztassa a márkakereskedőt.

▶▶ 4.MOZGATÁS

A HŐSZUGÁRZÓT MEGFELELŐ MERENDEZÉSEKET ÉS FELSZERELÉST ALKALMAZÓ, AZ ADOTT ORSZÁGBAN ÉRVÉNYES SZABÁLYOKAT ÉS AZ ELFOGADOTT NORMÁKAT BETARTÓ, SZAKKÉPZETT DOLGOZÓK MOZGATHATJÁK.

▶ 4.1.A HŐSZUGÁRZÓ MOZGATÁSA CSOMAGOLÁSSAL

A hőszugárzó emelőkocsival emelhető, a kocsi emelőit a csomagolás alapjába kell betolni.

▶ 4.2.A HŐSZUGÁRZÓ MOZGATÁSA CSOMAGOLÁS NÉLKÜL

Emelőkocsival emelhető, a kocsi emelőit a csomagolás alapjába kell betolni, vagy láncokat és kampókat használva a felemeléshez.

▶▶ 5.BEÁLLÍTÁS (1 ábra)

A TELEPÍTÉS MEGKEZDÉSE ELŐTT FIGYELMESEN EL KELL OLVASNI A FIGYELMEZTETÉSEKET, MAJD A MUNKAVÉGZÉS SORÁN BE KELL TARTANI A JELENÚTMUTATÓBAN LEÍRT UTASÍTÁSOKAT.

A HŐSUGÁRZÓT MEGFELELŐ BERENDEZÉSEKET ÉS FELSZERELÉST ALKALMAZÓ, AZ ADOTT ORSZÁGBAN ÉRVÉNYES SZABÁLYOKAT ÉS AZ ELFOGADOTT NORMÁKAT BETARTÓ, SZAKKÉPZETT DOLGOZÓK ÁLLÍTHATJÁK BE.

••**FONTOS:** A személyi/vagyoni károk elkerülése érdekében tilos a hőszugárzó tápját csatlakoztatni, míg a szerelés nem kerül befejezésre.

A hőszugárzó mind beltéri, mind kültéri telepítésre került megtervezésre. A kültéri felszerelés kizárólagosan a speciális eredeti készlet alkalmazásával lehetséges ("Opciók" fejezet). A hőszugárzó beállításának megkezdése előtt ellenőrizze, hogy a felszerelés számára megfelelő hely került kiválasztásra, éghető anyagoktól távol, a földtől megfelelő távolságban úgy, hogy a hőszugárzó alján levő szellőzőrács még részben sem kerül eltakarásra. Ennek érdekében ellenőrizze, hogy a rács a talajtól és egyéb, esetleg beszívható anyagoktól megfelelő távolságra van. A felszerelés helyének könnyen hozzáférhetőnek kell lennie, jó körülményeket teremtve a standard karbantartási és ellenőrzési tevékenységek számára. A hőszugárzó szerkezethez való biztonságos és szolid rögzítése alapvető kérdés. Tilos a hőszugárzóra további terheket függeszteni.

► 5.1. BELTÉRI, MENNYEZET ALATTI TELEPÍTÉS (2-3 ábra)

A felfüggesztést szolgáló láncoknak és kampóknak 100 kg terhelést el kell bírniuk. Az alapzatnak, amire a berendezés kerül rögzítésre (pl. mennyezet), minimálisan 200 kg terhelést el kell bírnia. A láncok közötti szögnek plusznak kell lennie és garantálnia kell a stabilitást, hogy le kerüljön sor veszélyes kilengésre.

► 5.2. BELTÉRI, FALI TELEPÍTÉS (4 ábra)

A falba vert csapnak minimálisan 200 kg értékű húzóerőt kell kibírniuk. A falazott szerkezetnek el kell bírnia a tartókra szerelt hőszugárzó tömegének terhelését.

► 5.3. KÜLTÉRI, FALI TELEPÍTÉS (5 ábra)

A falba vert csapnak minimálisan 200 kg értékű húzóerőt kell kibírniuk. A falazott szerkezetnek el kell bírnia a tartókra szerelt hőszugárzó tömegének terhelését. A levegőt beszívó és kifújó csövek telepítését az eredeti készletben megadott paraméterek szerint kell elvégezni ("Opciók" fejezet).

►► 6. GÁZHÁLÓZATRA CSATLAKOZTATÁS (6. ábra)

A TELEPÍTÉS MEGKEZDÉSE ELŐTT FIGYELMESEN EL KELL OLVASNI A FIGYELMEZTETÉSEKET, MAJD A MUNKAVÉGZÉS SORÁN BE KELL TARTANI A JELENÚTMUTATÓBAN LEÍRT UTASÍTÁSOKAT.

A GÁZVEZETÉK ODAVEZETÉSÉT ÉS CSATLAKOZTATÁSÁT MEGFELELŐ BERENDEZÉSEKET ÉS SZERSZÁMOKAT ALKALMAZÓ, AZ ADOTT ORSZÁGBAN ÉRVÉNYES SZABÁLYOKAT ÉS AZ ÉRVÉNYES NORMÁKAT BETARTÓ, KÉPESÍTETT TECHNIKUS VÉGEZHETI EL.

A hőszugárzó különféle fajtájú gáz használatára került megtervezésre, de konkrét gáz számára készült beállítással kerül leszállításra (lásd a hőszugárzó adattábláját). A hőszugárzó komoly megsérülésének elkerülése érdekében tilos túllépni az adattáblán megadott maximális bemeneti nyomás értékeket.

A gázreduktor a fűtött épületen kívül kell felszerelni; garantálnia kell a gáz hazai szabványoknak és a hőszugárzó műszaki jellemzőinek megfelelő nyomáson történő bevezetését. A gázreduktor az épületen belül kizárólagosan megfelelően szellőztetett helyiségben lehetséges. A megfelelő felszerelés meghatározásakor a hazai szabványok lehetnek segítségére. Kezdje el a hőszugárzó gázhálózatra csatlakoztatását, különös figyelmet fordítva a csatlakozás fajtájára (ISO 7-1:1994 menet, mely megfelelő a kúpos menetes csatlakozáshoz) (nagyon fontos, hogy a gázcsövek, elhelyezésük és rögzítésük megfelelő legyen) Az első elindításkor bevizsgált gázdetektorral ellenőrizni kell, hogy nincsenek nem megfelelő becsavarásból vagy a gáz bevezető cső sérüléséből eredő tömítetlenségek.

▶▶ 7. ELEKTROMOS HÁLÓZATRA CSATLAKOZTATÁS

A TELEPÍTÉS MEGKEZDÉSE ELŐTT FIGYELMESEN EL KELL OLVASNI A FIGYELMEZTETÉSEKET, MAJD A MUNKAVÉGZÉS SORÁN BE KELL TARTANI A JELENÚTMUTATÓBAN LEÍRT UTASÍTÁSOKAT.

AZ ELEKTROMOS TÁPVEZETÉK ODAVEZETÉSÉT ÉS CSATLAKOZTATÁSÁT MEGFELELŐ BERENDEZÉSEKET ÉS SZERSZÁMOKAT ALKALMAZÓ, AZ ADOTT ORSZÁGBAN ÉRVÉNYES SZABÁLYOKAT ÉS AZ ÉRVÉNYES NORMÁKAT BETARTÓ, KÉPESÍTETT TECHNIKUS VÉGEZHETI EL.

••FONTOS: A hőszugárzót megfelelő védő és túláram ellenőrző rendszerbe kell csatlakoztatni, mely garantálja az elektromos táp lekapcsolását a hőszugárzó helytelen

működése esetén. A hőszugárzó megfelelő működésének biztosítása érdekében szükség van a csatlakozások megfelelő földelésére.

Ajánlott H07 típusú, 1,5 mm² keresztmetszetű (AWG 16), legfeljebb 5 m hosszú vezeték használni. Miután meggyőződött róla, hogy a hőszugárzó lecsatlakoztatásra került a gázhálózatról, nyissa ki a megfelelő elektromos táblát (7 ábra), helyezze be a kábelt a kábelnyílásba (8 ábra) és csatlakoztassa a kábelt a megfelelő kapocsba (9 ábra). A csatlakoztatás után az elektromos táblát újra be kell kapcsolni.

▶▶ 8. KONVERTÁLÁS MÁS GÁZ FAJTÁKRA

A TELEPÍTÉS MEGKEZDÉSE ELŐTT FIGYELMESEN EL KELL OLVASNI A FIGYELMEZTETÉSEKET, MAJD A MUNKAVÉGZÉS SORÁN BE KELL TARTANI A JELENÚTMUTATÓBAN LEÍRT UTASÍTÁSOKAT.

AZ EGYÉB FAJTÁJÚ GÁZRA VALÓ ÁTÁLLÍTÁST MEGFELELŐ BERENDEZÉSEKET ÉS SZERSZÁMOKAT ALKALMAZÓ, AZ ADOTT ORSZÁGBAN ÉRVÉNYES SZABÁLYOKAT ÉS AZ ÉRVÉNYES NORMÁKAT BETARTÓ, A MÁRKASZERVIZ KÉPESÍTETT TECHNIKUSA VÉGEZHETI EL.

••FONTOS: Az átállítást a hőszugárzó gáz és elektromos hálózatról való lecsatlakoztatása után lehet elvégezni (24 ábra).

A gáz típusok, melyek használatára a tárgyalt hőszugárzó alkalmas, a gázfajták táblázatában található. Az átállítás előtt a gázbeállítások a hőszugárzón található adattábláz bejelölésre kerülnek. Az

átállítás befejezése után az új beállítási paramétereket fix módon fel kell vezetni a készüléthez csatolt üres adattáblára, majd azt a berendezésre kell helyezni. Az új gázfajtára való átállítás a következő lépésekben történik:

► 8.1.A SZELEPET A FÚVÓKA FOGANTYÚJÁVAL ÖSSZEKÖTŐ CSŐ LESZERELÉSE, A FÚVÓKA FOGANTYÚJÁNAK LESZERELÉSE, A FÚVÓKA LESZERELÉSE

ELJÁRÁS:

- 8.1.1.Vegye le a kúpot a szelep felől rögzítő csavaranyát (10 ábra).
- 8.1.2.Csavarozza ki a fúvóka fogantyúját rögzítő csavart (11 ábra).
- 8.1.3.Tolja ki a fúvóka fogantyúját és a gázcső szakaszát (12 ábra).
- 8.1.4.Vegye le a gázfúvókát (13 ábra).

FIGYELEM: AJÁNLOTT AZ ÖSSZES ALKATRÉSZT (TÖMÍTÉST, KÚPOKAT STB.) GONDOSAN TÁROLNI.

► 8.2.A FÚVÓKA MEGVÁLASZTÁSA

Válassza ki a megfelelő fajtájú fúvókát:

- GPL fúvóka = átmérője 5 mm
- G20 fúvóka = átmérője 10 mm
- G25 fúvóka = átmérője 10 mm

► 8.3.A SZELEPET A FÚVÓKA FOGANTYÚJÁVAL ÖSSZEKÖTŐ CSŐ FELSZERELÉSE, A FÚVÓKA FOGANTYÚJÁNAK FELSZERELÉSE, A FÚVÓKA FELSZERELÉS

ELJÁRÁS:

- 8.3.1.Szerelje fel tömítve a fúvókát a fúvóka fogantyújára és ellenőrizze, hogy a kiválasztott fúvóka megfelel a kiválasztott konverzió fajtájának (13 ábra).
- 8.3.2.Helyezze be a fúvóka fogantyúját a csővel a gázégő alá és rögzítse az alaphoz a csavarral (12-11 ábra).
- 8.3.3.Húzza meg a kúpot a gázszelephez rögzítő összekötő elemet (10 ábra).
- 8.3.4.Ellenőrizze a csatlakozások tömítését.

FIGYELEM: G20-G25 GÁZ ALKALMAZÁSAKOR A LEVEGŐCSÖVEKRE SZŰKÍTŐ KARIMÁT KELL FELSZERELNI (14 ábra). A KARIMA KIZÁRÓLAGOSAN A G20-G25 TÍPUSÚ GÁZ ESETÉBEN SZÜKSÉGES.

► 8.4.A NYOMÁS SZABÁLYOZÁSA A KOMBINÁLT GÁZSZELEP KIMENETÉN

FIGYELEM: A SZABÁLYOZÁST GYORSAN ÉS PRECÍZEN KELL ELVÉGEZNI.

Az új fúvókával ellátott cső beszerelése után a kombinált gázszelepet a hőszugárzóban a megfelelő értékű bemenő nyomásra kell állítani. A nyomás szabályozását csatlakoztatott gázzal és működő hőszugárzón kell elvégezni. A fenti munkák elkezdése előtt ellenőrizni kell, hogy a hőszugárzó megfelelő fajtájú, a beépített fúvókának megfelelő gázzal üzemel.

ELJÁRÁS:

- 8.4.1.Keresse meg a gázszelep kimeneten a nyomásmérés helyét és vegye le a rögzítő csavart (15 ábra).
- 8.4.2.Csatlakoztassa az elasztikus gumicsövet és ellenőrizze, hogy a csatlakozás tömített (16 ábra). Figyelembe véve, hogy a kalibráció nyomása kis értékekkel rendelkezik, nagyon precíz relatív nyomásmérőt, vagy a leginkább csöves nyomásmérőt kell használni.
- 8.4.3.Vegye le a védőfedelelet (17 ábra) és keresse meg a gázszelepleben a nyomást beállító szabályozó csavart.
- 8.4.4.Készítse elő a megfelelő szerszámot a szabályozó csonk átállításához.
- 8.4.5.Kapcsolja be a hőszugárzót és várjon néhány másodpercet, amikor az előmosás bekapcsol. Ennek az időnek a letelte után megnyílik a gáz, és begyullad a láng. Pontosan ebben a pillanatban kell elfordítani a csapot (18. ábra), hogy elérjük a kívánt nyomást a kimeneten (jobbra fordítás növeli a nyomás, a balra fordítás csökkenti). A nyomás beállítása után

ajánljuk, hogy ismétlje meg háromszor a bekapcsolási ciklust, becsukott revíziós ajtók mellett, ellenőrizve a kimenő gáz nyomását a gázszelepnél.

A karbantartás befejezése előtt ellenőrizni kell a kötéseket és a gázvezetékeket, hogy nem szivárognak-e.

•8.4.6.A karbantartás befejezése után fix módon fel kell vinni az új beállítási paramétereket a készülékhez csatolt, üres, névleges adattáblára, majd a táblát fel kell erősíteni a berendezésre (19. ábra).

►► 9.ÜZEMANYAG FAJTÁJA

HOGY A HŐSUGÁRZÓNÁL NE TÖRTÉN-
JEN VALAMI KOMOLY MEGHIBÁSODÁS,
KIZÁRÓLAG OLYAN A RÁRAGASZTOTT
CÍMKÉN, A GÁZTÍPUSOK RUBRIKÁBAN
MEGADOTT KATEGÓRIÁJÚ GÁZZAL
SZABAD ÜZEMELTETNI.

►► 10.BEKAPCSOLÁS (A bekapcsolásra, szellőztetésre és a fűtésre vonatkozó magyarázatok) (20. ábra)

A MUNKAVÉGZÉSKOR ALAPOSAN EL KELL OLVASNI A FIGYELMEZTÉSEKET, ÉS BE KELL TARATNI A JELLEN UTASÍTÁSBAN TALÁLHATÓ AJÁNLÁSOKAT.

AZ ÜZEMBE HELYEZÉST SZAKKÉPZETT TECHNIKUSNAK VAGY A MÁRKASZERVIZNEK KELL VÉGREHAJTANIA.

••FONTOS: Üzembe helyezés előtt ellenőrizni kell, hogy a hőszugárzó belsejében nem maradtak-e csomagolás darabok vagy tartozékok.

••FONTOS: Bekapcsolás előtt meg kell győződni róla, hogy a hőszugárzót megfelelően szerelték be (a gázbekötés, a kimeneti nyomás és az elektromos csatlakozások megfelelnek a hatályos szab-

ványoknak, és megegyeznek az adattáblán megadott adatokkal), úgy, hogy semmi ne akadályozza a levegő áramlását.

••FONTOS: Az első elindításkor bevizsgált gázdetektorral ellenőrizni kell, hogy nincsenek nem megfelelő becsavarásból vagy a gáz bevezető cső sérüléséből eredő tömítetlenségek.

A hőszugárzó működhethet szellőztetési vagy fűtési üzemmódban.

A szellőztetési üzemmód beindításához át kell kapcsolni a nyomógombot „VENTILÁTOR” pozícióra (21. ábra), ilyen módon a hőszugárzóban csak a motor indul be, a gázvezeték zárva marad. Ha be szándékozik indítani a fűtést, a nyomógombot „LÁNG” pozícióra kell állítani (22. ábra). A vízmelegítő, magának a ventilátornak a beindítása után, hogy átöblítse az égésteret, ami kb. 30 másodpercig tart, megnyitja a gázkört és begyűjtja a lángot, amivel beindul a fűtés.

Ha háromszor egymás után nem gyullad be, a hőszugárzó reteszeli. A hőszugárzó újraindításához a gyújtás gombját „O” pozícióra kell állítani (23. ábra). Az esetleges okok megelőző elemzését táblázatos formában adtuk meg a meghibásodásokkal („Meghibásodások, okok és elhárításuk” fejezet).

FIGYELEM: HA HÁROMSZOR EGYMÁS UTÁN NEM GYULLAD BE, ELLENŐRIZNI KELL ENNEK OKÁT, EZZEL MÁRKASZERVIZT BÍZVA MEG.

►► 11.DIAGNOSZTIKAI ELLENŐRZŐLÁMPA

A hőszugárzóba beépítettek egy ellenőrző lámpát a berendezés üzemelésének felügyeletéhez (25. ábra):

•ELLENŐRZŐ LÁMPA BEKAPCSOLVA (normál állapot): Ez azt jelenti, hogy a hőszugárzó ki van kapcsolva, vagy jól működik.

•AZ ELLENŐRZŐ LÁMPA FOLYAMATOS FÉNNYEL VILÁGÍT: A hőszugárzó blokkolt állapotát jelzi.

►► 12.KIKAPCSOLÁS

Ha ki akarja kapcsolni a fűtést, a nyomógombot „0” pozícióra kell állítani (23. ábra).

FIGYELEM: HA A NYOMÓGOMB „0” ÁLLÁSBAN VAN, A HŐSZUGÁRZÓ KI VAN KAPCSOLVA, DE TOVÁBBRA IS FESZÜLTÉS ALATT MARAD. KARBANTARTÁS, TISZTÍTÁS VAGY MÁS MUNKÁK IDEJÉRE TELJESEN ÁRAMTALANÍTANI KELL A HŐSZUGÁRZÓT (24. ábra).

►► 13.A KÖRNYEZETI TÁV TERMOZTÁT CSATLAKOZTATÁSA

•FONTOS: Amennyiben a hőszugárzót környezeti táv termosztát irányítja, bármikor újra bekapcsolhat, ha a hőmérséklet a beállított küszöb alá esik.

A környezeti táv termosztát bekötéséhez le kell venni a hőszugárzót a környezeti táv termosztát kábelével összekötő csavaranyát (opció) (26. ábra).

►► 14.A HŐSZUGÁRZÓ TISZTÍTÁSA

•FONTOS: Tilos bármilyen tisztítást végezni, ha a hőszugárzót előbb nem kapcsolták ki (23. ábra) és nem áramtalanították a hálózati kábel levételével (24. ábra).

A felhasználó saját hatáskörben a hőszugárzónak kizárólag a külső felületét tisztíthatja. A hőszugárzó külső részeit csak nedves, finom törlőkendővel szabad tisztítani (ne használjon szivacsot agresszív vagy por halmazállapotú tisztítószerrel).

Tisztítás után a felületet alaposan meg kell szárítani.

FIGYELEM: HA A HŐSZUGÁRZÓ ALAPOSABB TISZTÍTÁST IGÉNYEL, SZAKSZERVIZHEZ KELL FORDULNI.

►► 15.A HŐSZUGÁRZÓ ÜZEMEN KÍVÜL HELYEZÉSE

Ha a hőszugárzót közepesen hosszú ideig nem használják, a kábel kihúzásával áramtalanítani kell (24. ábra), és le kell védeni nedvesség és por ellen. Ha újra használatba akarják venni a hőszugárzót, ellenőrizni kell a hálózati kábel állapotát, és kétségei vannak az állapotát illetően, szakszervizhez kell fordulni. A hőszugárzót évente feltétel nélkül egyszer ellenőrizni kell.

►► 16.OPCIÓK

- Készlet a külső felszereléshez (a levegő keringetése vagy beszívása a külső légtérrel beállításával szabályozható).
- Környezeti táv termosztát.
- Diffúzor a levegő kilépő nyílásában.

►► 17.PROBLÉMÁK, OKAI ÉS ELHÁRÍTÁSUK

PRO- BLÉMÁK	OKAI	MEGOLDÁS
A hőszugárzó nem működik	Nincs feszültség	1. Ellenőrizze a hálózatot 2. Ellenőrizze az elektromos csatlakozásokat 3. Márkaszerző
	A környezeti táv termosztát nem megfelelően csatlakoztatva	1. Csatlakoztassa megfelelően a környezeti táv termosztátot
A hőszugárzó nem működik a fűtő üzemmódban	Környezeti táv termosztát reakció (opció)	1. Állítsa a környezeti táv termosztátot a lehető legalacsonyabb környezeti hőmérsékletre
	A környezeti táv termosztát nem megfelelően csatlakoztatva	1. Csatlakoztassa megfelelően a környezeti táv termosztátot
	Helytelenül felhelyezve a kupak a környezeti táv termosztát fészke	1. Tegye fel helyesen a kupakot a fészkekre
	A gáz nincs bevezetve	1. Ellenőrizze a gázhálózatot 2. Márkaszerző
	A hőszugárzó leblokkolva	1. Újra kapcsolja be a hőszugárzót a tápkapcsoló "0" helyzetbe állításával 2. Márkaszerző
	Sérült elektronikus egység	1. Márkaszerző
	A hőszugárzó nem megfelelően kalibrálva	1. Márkaszerző
A láng nem marad égve	Sérült elektronikus egység	1. Márkaszerző
A láng kialszik a normális működés közben	Környezeti táv termosztát reakció (opció)	1. Állítsa a környezeti táv termosztátot a lehető legalacsonyabb környezeti hőmérsékletre
	A gáz nincs bevezetve	1. Ellenőrizze a gázhálózatot 2. Márkaszerző
	Nincs feszültség	1. Ellenőrizze a hálózatot 2. Ellenőrizze az elektromos csatlakozásokat. 3. Márkaszerző
	A hőszugárzó túlmelegedik	1. Tisztítsa ki a levegő bemenetét (az alsó részen) és újra manuálisan kapcsolja be a túlmelegedési termosztátot (27 ábra) 2. A hőszugárzó üzeme hőmérséklete határa túl magas 3. A beszívott levegő hőmérséklete túl magas 4. Túlságosan ki van téve a napsütésnek 5. Márkaszerző

OBSAH

1...	<i>OPIS</i>
2...	<i>VÝSTRAHY</i>
3...	<i>ROZBALENIE</i>
4...	<i>PREMIESTŇOVANIE</i>
5...	<i>NASTAVENIE</i>
6...	<i>PRIPOJENIE K PLYNOINŠTALÁCII</i>
7...	<i>PRIPOJENIE K EL. SIETI</i>
8...	<i>KONVERZIA NA INÝ TYP PLYNU</i>
9...	<i>DRUH PALIVA</i>
10...	<i>SPÚŠŤANIE</i>
11...	<i>DIAGNOSTICKÁ KONTROLKA</i>
12...	<i>VYPÍNANIE</i>
13...	<i>PRIPOJENIE TERMOSTATU TEPLoty OKOLIA</i>
14...	<i>ČISTENIE OHRIEVAČA</i>
15...	<i>VYLÚČENIE OHRIEVAČA Z PREVÁDZKY</i>
16...	<i>VOLBY</i>
17...	<i>PROBLÉMY, PRÍČINY, RIEŠENIA A PREVENTÍVNE PROSTRIEDKY</i>

POZOR: PRED ZAČATÍM MONTÁŽE, PRED SPUSTENÍM ALEBO VYKONÁVANÍM ÚDRŽBY TOHTO ZARIADENIA, JE POTREBNÉ OBOZNÁMIŤ SA A POCHOPÍŤ TÚTO PRÍRUČKU. NÁSLEDKOM NESPRÁVNEHO POUŽÍVANIA OHRIEVAČA MÔŽE DÔJSŤ K VÁŽNYM ÚRAZOM. TÚTO PRÍRUČKU UCHOVAJTE PRE PRÍPADNÚ POTREBU V BUDÚCNOSTI.

►► 1.OPIS

Tento plynový ohrievač je zariadenie, ktorú uvoľňuje do vzduchu v okolí teplo. Teplo vzniká spaľovaním zemného plynu alebo kvapalného propánu. Zariadenie je určené na montáž vo vnútri alebo vonku, po predchádzajúcom ohodnotení miestnosti. Pri montáži sa používajú špeciálne sady. Vzduch, ktorý nasáva odstredivý ventilačný systém, prechádza do spaľovacej komory, v ktorej dochádza k spaľovaniu. Tam sa vzduch zohrieva, a následne prechádza naspäť do miestnosti. Systém priameho spaľovania mieša produkty spaľovania s nasávaným vzduchom, a následne ich uvoľňuje do okolia. Pretože objem zohrievaného vzduchu je väčší ako množstvo vzduchu spotrebovaného v pro-

cese spaľovania. Teplý vzduch vychádza z malým množstvom oxidu uhličitého.

Vďaka takému systému, ohrievač má:

- Maximálnu tepelnú účinnosť.
- Nízku tepelnú inerciu.
- Malé rozmery a hmotnosť.
- Jednoduchý dizajn.
- Vysokú bezporuchovosť.

Vďaka špeciálnej funkcii, existuje možnosť aktivovať iba ventilačnú jednotku, takým spôsobom zariadenie slúži na výmenu vzduchu.

Podstatné údaje identifikujúce zariadenie sú uvedené na výrobnom štítku, ktorý je na ohrievači. Sú na ňom uvedené typy palív, ktoré sa môžu používať, ako aj špecifikácia a všetky technické informácie týkajúce sa ohrievača. Ak dôjde k poškodeniu alebo k

strate výrobného štítka, kontaktujte autorizovaný servis s prosbou o dodanie duplikátu.

►► 2. VÝSTRAHY

••2.1. ⚠️ **DÔLEŽITÉ:** Výrobca zodpovedá za zhodu svojho výrobku s predpismi, smernicami a konštrukčnými normami, ktoré platia v momente uvedenia výrobku na trh. Znalosť a dodržiavanie pokynov a odporúčaní, ktoré sú v právnych predpisoch a normách týkajúcich sa inštalácií, montáže, prevádzky a údržby sú v kompetenciách certifikovaného technika, servisu a užívateľa.

••2.2. ⚠️ **DÔLEŽITÉ:** Výrobca nezodpovedá za nedodržiavanie pokynov a odporúčaní, ktoré sú uvedené v tejto príručke, ako aj všetky následky vzniknuté činnosťami, na ktoré zariadenie nie je určené; nezodpovedá ani za prípadné nevhodné preklady, ktoré môžu spôsobiť nesprávne a mylné interpretácie.

••2.3. ⚠️ **DÔLEŽITÉ:** Táto príručka predstavuje integrálnu súčasť ohrievača, vzhľadom k tomu musí byť vhodne uskladnená, má sa nachádzať v blízkosti zariadenia, a tiež musí byť v prípade zmeny užívateľa alebo majiteľa odovzdaná spolu so zariadením. Ak dôjde k poškodeniu alebo k strate výrobného štítka alebo užívateľskej príručky, kontaktujte autorizovaný servis s prosbou o dodanie duplikátu.

••2.4. ⚠️ **DÔLEŽITÉ:** Tento ohrievač nesmú používať osoby (vrátane detí), ktoré majú obmedzené fyzické, senzorické alebo mentálne schopnosti, alebo osoby bez potrebných skúseností, ibaže budú pod dohľadom osoby, ktorá zodpovedá za ich bezpečnosť. Deti, ktoré sa nachádzajú v blízkosti ohrievača, musia byť pod neustálym dohľadom,

aby sa s ohrievačom nehrali. Všetky zvieratá musia byť držané v bezpečnej vzdialenosti od ohrievača.

••2.5. ⚠️ **DÔLEŽITÉ:** Nesprávne používanie ohrievača môže viesť k škodám alebo môže ohroziť život, spôsobiť zranenia, popáleniny, výbuch, zásah el. prúdom alebo spôsobiť otravu. Prvé príznaky otravy oxidom uhoľnatým pripomínajú príznaky chrípky a sprevádzajú ich bolesti hlavy, závraty hlavy a/alebo nevoľnosť. Tieto príznaky môže spôsobovať nesprávne fungujúci ohrievač. **AK SA OBJAVIA VYŠŠIE OPÍSANÉ PRÍZNAKY, JE POTREBNÉ OKAMŽITE VYJŠŤ VONKU, NA OTVORENÉ PRIESTRANSTVO;** tiež je potrebné objednať opravu ohrievača v autorizovanom servise.

••2.6. ⚠️ **DÔLEŽITÉ:** Zodpovednosť výrobcu, obsiahnutá dohodou alebo poza dohodou, nezahŕňa škody a úrazy spôsobené ľuďom, zvieratám alebo majetku, vzniknuté následkom inštalačných chýb, alebo nesprávneho nastavenia, údržby, ako aj nesprávnym používaním zariadenia.

••2.7. ⚠️ **DÔLEŽITÉ:** Referencie na právne predpisy, normy, smernice a technické zásady, ktoré sú uvedené v tejto príručke, majú výlučne informatívny charakter, a odkazujú na faktický stav platný v deň publikácie tohto dokumentu. Nové predpisy alebo zmeny týchto predpisov, ktoré nadobudnú platnosť po zverejnení tohto dokumentu, nijakým spôsobom nezaväzujú výrobcu voči tretím stranám.

••2.8. ⚠️ **DÔLEŽITÉ:** Ohrievač môže nastaviť a namontovať iba kvalifikovaný, certifikovaný technik. Pripojenie k plynoinštalácii a k elektroinštalácii môže vykonať iba skúsený technik, ktorý musí po skončení prác zákazníkovi vystaviť potvrdenie o zhode vykonanej inštalácie s technickými zása-

dami, tzn. o zhode s platnými predpismi a normami, ako aj s pokynmi a odporúčaniami výrobcu, ktoré sú uvedené v tejto príručke. Práce (údržby, opravy ap.), počas ktorých je potrebné pristupovať k nebezpečnými častiam musí vykonať autorizovaný servis, aby nedošlo k akýmkoľvek ohrozeniam.

••2.9.⚠DÔLEŽITÉ: Ohrievač nie je vybavený regulátorom plynu a rúrkami potrebnými na pripojenie k sieti. V tejto veci sa obráťte na certifikovaného technika, ktorý vykoná inštaláciu.

••2.10.⚠DÔLEŽITÉ: Ohrievač je dodaný s nastavením určeným pre konkrétny typ plynu. Všetky prípadné prestavenia a nastavenia môže vykonať iba kvalifikovaný technik alebo autorizovaný servis. V PRÍPADE PRESTAVENIA ALEBO NASTAVENIA JE POTREBNÉ VYPLNIŤ PRÁZDNY VÝROBNÝ ŠTÍTK, KTORÝ JE DODANÝ SPOLU S OHRIEVAČOM.

••2.11.⚠DÔLEŽITÉ: Certifikovaný technik musí skontrolovať nastavenia tlaku vstupného plynu.

••2.12.⚠DÔLEŽITÉ: Ohrievač sa môže montovať iba podľa pokynov a odporúčaní uvedených v tejto príručke, v opačnom prípade môže dôjsť k požiaru.

sk ••2.13.⚠DÔLEŽITÉ: Nesmie sa používať na vykurovanie obytných miestností a budov; v prípade použitia vo verejných miestnostiach a budovách, bezpodmienečne sa musia dodržiavať miestne predpisy a normy.

••2.14. Aby bola zaručená správna obsluha ohrievača a správne skladovanie paliva, bezpodmienečne sa musia dodržiavať všetky miestne nariadenia, predpisy a normy.

••2.15. V prípade, ak je ohrievač namontovaný vo vnútri, je potrebné zabezpečiť správnu, dostatočnú ventiláciu. Preto sa môže používať iba v miestnostiach,

v ktorých je zabezpečená stála výmena vzduchu. Systém a hodnotenie kvality výmeny vzduchu je potrebné vykonať v súlade s platnými miestnymi predpismi a normami, zohľadňujúc technické normy a odporúčania týkajúce sa predchádzania nežiaducim situáciám, ako aj predpisy týkajúce sa protipožiarnej ochrany.

••2.16. Zariadenie sa môže používať výhradne iba ako ohrievač teplého vzduchu (režim ohrievania) alebo ako ventilátor (režim ventilácia). Pri obsluhu ohrievača je potrebné presne dodržiavať uvedené pokyny a odporúčania.

••2.17. Parametre vstupného paliva, tlaku plynu, el. napätia a frekvencie, bezpodmienečne musia spĺňať parametre uvedené na výrobnom štítku, ktorý je upevnený na ohrievači.

••2.18. Uistite sa, že ohrievač bol správne pripojený k el. sieti, k obvodu chránenom rozdielovým ističom s vhodným uzemnením.

••2.19. Ohrievač sa v žiadnom prípade nesmie používať v pivniciach, v suterénoch a v miestnostiach pod úrovňou terénu.

••2.20. Ohrievač sa nesmie používať v miestnostiach, v ktorých sa nachádzajú výbušné prachy, plyny, spaliny, palivá, riedidlá, laky ap.

••2.21. Ak sa ohrievač používa v blízkosti stanov, závesov a podobných clôn, odporúčame dodatočne používať nehorľavé ochrany. Je potrebné zachovávať bezpečnostné vzdialenosti od horúcich častí zariadenia, ktorá v žiadnom prípade nesmie byť menšia ako 3 metre od horľavých predmetov (textil, papier, drevo ap.) alebo teplotne nestabilné (vrátane napájacieho kábla).

••2.22. Vstupný prieduch vzduchu, ktorý sa nachádza vpredu, ako aj výdych vzduchu, ktorý sa nachádza vzadu, sa nesmú ničím zacloniť, ani čiastočne, ani úplne. Na vstupe ako aj na výstupe

ohrievača sa môžu používať vzduchové kanály. Môže sa používať iba to dodatočné vybavenie, ktoré bolo dodané výrobcom spolu so zariadením.

••2.23.Ak nedôjde k zapáleniu, alebo ak oheň nehorí správne, postupujte podľa pokynov uvedených v príslušnej kapitole (časť „Problémy, príčiny a riešenia“).

••2.24.Ak je ohrievač zapnutý, v žiadnom prípade sa nesmie presúvať, otvárať, či vykonávať údržba.

••2.25.Ked' je ohrievač spustený, alebo keď je zastavený, ale nie je odpojený od el. napätia, nesmú sa otvárať bočné revízne dvierka a nesmú sa vykonávať žiadne práce vo vnútri zariadenia.

••2.26.Ak je cítiť zápach unikajúceho plynu, ohrievač okamžite vypnite, odpojte od plynoinštalácie, odpojte od el. siete, otvorte dvere a okná a prevetrajte danú miestnosť, a následne kontaktujte autorizovaný servis.

••2.27.Ak je ohrievač riadený prostredníctvom vzdialeného termostatu teploty okolia (voľba), môže sa opätovne spustiť v ľubovoľnej chvíli, keď teplota klesne pod nastavenú prahovú teplotu.

••2.28.Ak sa ohrievač dlhšiu dobu nepoužíval, odporúčame pred opätovným spustením kontaktovať autorizovaný servis, ktorý zariadenie pripraví na opätovné spustenie.

••2.29.K ohrievaču sa môže pripájať iba originálne príslušenstvo. Výrobca nezodpovedá za prípadné škody vzniknuté následkom nesprávnej obsluhy ovládača a používaním neoriginálnych materiálov a príslušenstva.

••2.30.Ohrievač sa nesmie upravovať ani poškodzovať, v opačnom prípade môže dôjsť k nebezpečnej situácii. Výrobca nezodpovedá za prípadné škody.

••2.31.Na ohrievač sa nesmú klásť žiadne predmety.

••2.32.Cez mriežky ohrievača sa nesmú vkladať žiadne predmety.

••2.33.Nedotýkajte sa výstupnej mriežky, pretože počas normálnej prevádzky môže byť nahriata na vysokú teplotu, čo môže spôsobiť vážny úraz.

••2.34.Ohrievač sa k el. sieti v žiadnom prípade nesmie pripájať cez adaptéry, rozvodky a predlžovacie káble.

••2.35.Ak nie je ohrievač odpojený od el. siete a od plynoinštalácie, nesmú sa na ňom vykonávať akékoľvek činnosti, ako údržba či čistenie.

••2.36.Aspoň raz ročne, ako aj v prípade potreby, objednajte v autorizovanom servise technickú obsluhu zameranú na kontrolu správneho fungovania ohrievača.

►► 3.ROZBALENIE

NEVYHADZUJTE, NENECHÁVAJTE BEZ DOHĽADU ALEBO V DOSAHU DEŤÍ MATERIÁLY AKO: KARTÓN, FÓLIA PO BALENIACH, TAŠKY AP., PRETOŽE PREDSTAVUJÚ RIZIKO OHROZENIA.

Všetky materiály použité pri balení a pri zásielke ohrievača sa musia zlikvidovať v súlade s platnými miestnymi predpismi a normami. Musia sa skontrolovať prípadné poškodenia, ktoré mohli vzniknúť počas prepravy. Ak sa objavia príznaky poškodenia ohrievača, bezodkladne kontaktujte autorizovaný servis alebo predajcu.

►► 4.PREMIESTŇOVANIE

OHRIEVAČ MÔŽU PREMIESTŇOVAŤ IBA CERTIFIKOVANÍ TECHNICI, KTORÍ BUDÚ POUŽÍVAŤ VHODNÉ ZARIADENIA A NÁRADIE, PODĽA PLATNÝCH MIESTNYCH PREDPISOV A NORIEM.

► 4.1. PREMIESTŇOVANIE OHRIEVAČA S BALENÍM

Ohrievač sa môže zdvíhať pomocou vysokozdvížného vozíka, vidlice sa umiestňujú pod dolný podstavec balenia.

► 4.2. PREMIESTŇOVANIE OHRIEVAČA BEZ BALENIA

Ohrievač sa môže zdvíhať pomocou vysokozdvížného vozíka, vidlice sa umiestňujú pod dolný podstavec balenia, alebo sa môžu použiť reťaze a upevňovacie háky.

► ► 5. UMIESTŇOVANIE (Obr. 1)

PRED ZAČATÍM MONTÁŽE DÔKLADNE SA OBOZNÁMTE S VÝSTRAHAMI, A NÁSLEDNE, POČAS VYKONÁVANIA PRÁČ, DODRŽUJTE VŠETKY POKYNY UVEDENÉ V TEJTO PRÍRUČKE.

OHRIEVAČ MÔŽU UMIESTŇOVAŤ IBA CERTIFIKOVANÍ TECHNICI, KTORÍ BUDÚ POUŽÍVAŤ VHODNÉ ZARIADENIA A NÁRADIE, PODĽA PLATNÝCH MIESTNYCH PREDPISOV A NORIEM.

••DÔLEŽITÉ: Aby nedošlo k škodám alebo k úrazom, potrebné prípoje sa k ohrievaču môžu montovať až keď sa končí montáž.

sk

Ohrievač bol naprojektovaný tak, aby sa mohol používať tak vo vnútri ako aj vonku. Ohrievač sa môže montovať vonku iba vtedy, keď je použitá špeciálna originálna sada (časť „Volby“). Pred tým, ako začnete ohrievač umiestňovať na cieľové miesto, uistite sa, že bolo vybrané vhodné miesto na montáž, v bezpečnej vzdialenosti od horľavých predmetov, v správnej vzdialenosti od zeme, a to tak, aby ventilačná mriežka, umiestnená zosponu, nebolaničím ani čiastočne zakrytá. Vzhľadom k tomu je potrebné skontrolovať, či sa ventilačná mriežka nachádza v požadovanej vz-

dialenosti od podlahy a od predmetov, ktoré by mohli mriežku zakryť. Miesto montáže musí byť ľahko prístupné, aby boli zabezpečené dostatočné podmienky na vykonávanie štandardných kontrolných činností a údržby. Podstatnou vecou je bezpečné a solídne upevnenie ohrievača k podkladu. Ohrievač sa v žiadnom prípade nesmie zaťažovať dodatočnými záťažami.

► 5.1. MONTÁŽ VO VNÚTRI, POD STROPOM (Obr. 2-3)

Každá reťaz a každý hák na zavesenie musia mať minimálnu nosnosť 100 kg. Podklad, ku ktorému bude zariadenie upevnené (napr. strop), musí vydržať minimálnu záťaž 200 kg. Uhol medzi reťazami musí byť kladný a musí zaručovať stabilitu, aby nedošlo k nebezpečným výkyvom.

► 5.2. MONTÁŽ VO VNÚTRI, NA STENU (Obr. 4)

Každý rozperný kolík vkladajú do steny musí mať minimálnu pevnosť v ťahu predstavujúcu 200 kg. Štruktúra steny musí mať dostatočnú nosnosť na udržanie ohrievača upevneného na podperách.

► 5.3. MONTÁŽ VONKU, NA STENU (Obr. 5)

Každý rozperný kolík vkladajú do steny musí mať minimálnu pevnosť v ťahu predstavujúcu 200 kg. Štruktúra steny musí mať dostatočnú nosnosť na udržanie ohrievača upevneného na podperách. Montáž vstupných a výstupných vzduchových kanálov sa musí vykonať tak, aby boli dodržané parametre uvedené v originálnej súprave (časť „Volby“).

► ► 6. PRIPOJENIE K PLYNOINŠTALÁCII (Obr. 6)

PRED ZAČATÍM MONTÁŽE DÔKLADNE SA OBOZNÁMTE S VÝSTRAHAMI, A NÁSLEDNE, POČAS VYKONÁVANIA

PRÁC, DODRŽUJTE VŠETKY POKYNY UVEDENÉ V TEJTO PRÍRUČKE.

PLYNOVÚ PRÍPOJKU A PRIPOJENIE MUSÍ VYKONAŤ CERTIFIKOVANÝ TECHNIK, KTORÝ POUŽÍVA VHODNÉ ZARIADENIA A NÁRADIE, PODĽA PLATNÝCH MIESTNYCH PREDPISOV A NORIEM.

Ohrievač bol naprojektovaný na spaľovanie rôznych typov plynov, ale továrensky je nastavený na spaľovanie konkrétneho plynu (pozri výrobný štítok na ohrievači). Aby nedošlo k vážnemu poškodeniu ohrievača, nesmie sa prekračovať maximálny tlak spaľovaného plynu, ktorý je uvedený na výrobnom štítku.

Regulátor plynu sa musí nainštalovať z vonkajšej stany ohrievanej budovy; musí zabezpečiť, aby tlak prichádzajúceho plynu spĺňal mieste normy, ako aj technickú špecifikáciu ohrievača. Regulátor môže byť namontovaný vo vnútri budovy výhradne v príslušne vetranej miestnosti. Miestne predpisy a normy predstavujú referenciu pri určovaní správneho spôsobu montáže.

Počas pripájania ohrievača k plynoinštalácii, je potrebné predovšetkým dávať pozor na typ spojov (závit ISO 7-1:1994 príslušne pre kužeľovité závitové spoje) (je veľmi dôležité, aby parametre plynových potrubí, ako aj ich umiestnenie a ukotvenie boli správne vykonané). Počas prvého spustenia je potrebné pomocou atestovaného detektora plynu overiť, či sú všetky vedenia a spoje tesné, a či nedochádza k nežiaducemu uvoľňovaniu plynu.

►► 7. PRIPOJENIE K EL. SIETI

PRED ZAČATÍM MONTÁŽE DÔKLADNE SA OBOZNÁMTE S VÝSTRAHAMI, A

NÁSLEDNE, POČAS VYKONÁVANIA PRÁC, DODRŽUJTE VŠETKY POKYNY UVEDENÉ V TEJTO PRÍRUČKE.

ELEKTRICKÝ OBVOD A PRIPOJENIE K EL. OBVODU MUSÍ VYKONAŤ CERTIFIKOVANÝ TECHNIK, KTORÝ POUŽÍVA VHODNÉ ZARIADENIA A NÁRADIE, PODĽA PLATNÝCH MIESTNYCH PREDPISOV A NORIEM.

••DÔLEŽITÉ: Ohrievač musí byť pripojený k el. obvodu s rozdielovým a s prepäťovým ističom, ktoré v prípade objavenia sa nespávneho fungovania ohrievača, poruchy, odpoja zariadenie od el. napätia. Aby ohrievač fungoval správne, je potrebné zabezpečiť vhodné uzemnenie spojov.

Odporúčame používať kábel s prierezom 1,5 mm² (AWG 16) typ H07 s maximálnou dĺžkou 5 m. Keď sa uistíte, že ohrievač bol odpojený od plynoinštalácie, otvoríte príslušnú elektrickú dosku (Obr. 7), do otvoru na kábel vložte kábel (Obr. 8) a vodiče pripojte k príslušnému konektoru svorkovnice (Obr. 9). Elektrická doska sa po pripojení musí opätovne spustiť.

►► 8. KONVERZIA NA INÝ TYP PLYNU

PRED ZAČATÍM MONTÁŽE DÔKLADNE SA OBOZNÁMTE S VÝSTRAHAMI, A NÁSLEDNE, POČAS VYKONÁVANIA PRÁC, DODRŽUJTE VŠETKY POKYNY UVEDENÉ V TEJTO PRÍRUČKE.

KONVERZIU NA INÝ TYP PLYNU MÔŽE VYKONAŤ IBA CERTIFIKOVANÝ TECHNIK AUTORIZOVANÉHO SERVISU, KTORÝ MUSÍ POUŽÍVAŤ VHODNÉ NÁSTROJE A NÁRADIE, V SÚLADE S PLATNÝMI MIESTNYMI PREDPISMI A NORMAMI.

••DÔLEŽITÉ: Konverzia sa môže vykonať po predchádzajúcom zatvorení a odpojení ohrievača od plynoinštalácie a od el. obvodu (Obr. 24).

Typ plynu, na ktorého spaľovanie je daný ohrievač nastavený, je uvedený na výrobnom štítku v časti s typmi plynov. Nastavenie plynu, pred vykonaním konverzie, boli označené na výrobnom štítku umiestnenom na ohrievači. Po vykonaní konverzie, parametre nových nastavení sa musia trvalým spôsobom uviesť na prázdnom výrobnom štítku, ktorý je pripojený k zariadení, a následne štítok umiestniť na zariadení. Konverzia na nový typ plynu sa vykonáva nasledujúcim spôsobom:

► 8.1.DEMONTÁŽ RÚRY SPÁJAJÚCEJ VENTIL S DRŽIAKOM DÝZY, DEMONTÁŽ DRŽIAKA DÝZY, DEMONTÁŽ DÝZY

PROCEDÚRA:

- 8.1.1.Zložte štrbinovú maticu blokujúcu kužeľovitý hrot od ventilu (Obr. 10).
- 8.1.2.Odkrúťte skrutku upevňujúcu držiak dýzy (Obr. 11).
- 8.1.3.Vysuňte držiak dýzy a kúsok plynovej rúry (Obr. 12).
- 8.1.4.Zdemontujte plynovú dýzu (Obr. 13).

sk POZOR: ODPORÚČAME, ABY VŠETKY KOMPONENTY (TESNENIA, HORÁKY AP.) BOLI SKLADOVANÉ S NÁLEŽITOU OPATRNOSŤOU.

► 8.2.VÝBER DÝZY

Vyberte vhodný typ dýzy:

Dýza GPL = priemer 5 mm

Dýza G20 = priemer 10 mm

Dýza G25 = priemer 10 mm

► 8.3.MONTÁŽ RÚRY SPÁJAJÚCEJ VENTIL S DRŽIAKOM DÝZY, MONTÁŽ DRŽIAKA DÝZY, MONTÁŽ DÝZY

PROCEDÚRA:

- 8.3.1.Tesne namontujte dýzu na držiak dýzy a overte, či vybraná dýza je vhodná pre vybraný druh konverzie (Obr. 13).
- 8.3.2.Vložte držiak dýzy s rúrou pod horák a skrutkou upevnite k podstavcu (Obr. 12-11).
- 8.3.3.Dokrúťte spojku blokujúcu kužeľovitý hrot k plynovému ventilu (Obr. 10).
- 8.3.4.Skontrolujte tesnosť všetkých spojov.

POZOR: AK SA POUŽÍVA PLYN G20-G25 JE POTREBNÉ NA VZDUCHOVÝCH VEDENIACH NAMONTOVAŤ REDUKČNÚ PRÍRUBU (Obr. 14). PRÍRUBA JE POTREBNÁ IBA V PRÍPADE PLYNU TYPU G20-G25.

► 8.4.REGULÁCIA VÝSTUPNÉHO TLAKU POMOCOU MULTIFUNKČNÉHO PLYNOVÉHO VENTILA

POZOR: REGULÁCIA SAMUSÍ VYKONAŤ RÝCHLO A PRESNE.

Po namontovaní vedenia s novou dýzou je potrebné nastaviť multifunkčný plynový ventil ohrievača na napájací tlak príslušnej hodnoty. Tlak sa nastavuje, keď je ohrievač spustený a pripojený k plynoinštalácii. Pred začatím týchto prác je potrebné uistiť sa, že ohrievač je napájaný správnym typom plynu, príslušne k nainštalovanému typu dýzy.

PROCEDÚRA:

- 8.4.1. Nájdite miesto merania výstupného tlaku na plynovom ventilu a zložte upevňujúcu skrutku (Obr. 15).
- 8.4.2. Pripojte flexibilné gumové hadice a uistite sa, či je spojenie tesné (Obr. 16). Vzhľadom k tomu, že kalibračný tlak má veľmi nízku hodnotu, je potrebné použiť veľmi presný rozdielový tlakomer, alebo najlepšie vodný tlakomer.

•8.4.3. Zložte ochranné veko (Obr. 17) a nájdite regulačnú skrutku slúžiacu na nastavovanie tlaku v plynovom ventile.

•8.4.4. Pripravte vhodný prístroj na prestavenie regulačného čapu.

•8.4.5. Spustite ohrievač a počkajte niekoľko sekúnd, kým prebehne vstupné prepláchnutie. Po uplynutí tohto času sa otvorí plyn a zapáli sa oheň. Presne v tej chvíli prekrúťte čap (Obr. 18), kým nedosiahnete požadovaný výstupný tlak (v smere pohybu hodinových ručičiek – vyšší tlak, v protismere – nižší). Keď nastavíte požadovaný tlak, odporúčame celý cyklus trikrát zopakovať, so zatvorenými revíznymi dvierkami, kontrolujúc hodnotu výstupného tlaku z plynového ventila.

Pred skončením konverzie skontrolujte, či všetky spoje a plynové vedenia sú tesné.

•8.4.6. Po vykonaní konverzie, parametre nových nastavení sa musia trvalým spôsobom uviesť na prázdnom výrobnom štítku, ktorý je pripojený k zariadení, a následne štítok umiestniť na zariadení (Obr. 19).

►► 9. DRUH PALIVA

ABY NEDOŠLO K VÁŽNEMU POŠKODENIU OHRIEVAČA, MÔŽU SA POUŽÍVAŤ TIE TYPY PLYNOV, KTORÉ SÚ UVEDENÉ NA NÁLEPKE S TYPMI PLYNOV.

►► 10. SPÚŠŤANIE (Informácie týkajúce sa spúšťania, vetrania a ohrievania) (Obr. 20)

PRED ZAČATÍM MONTÁŽE SA DÔKLADNE OBOZNÁMTE S VÝSTRAHAMI, A NÁSLEDNE, POČAS VYKONÁVANIA PRÁC, DODRŽUJTE VŠETKY POKYNY UVEDENÉ V TEJTO PRÍRUČKE.

PROCES SPÚŠŤANIA MÔŽE VYKONAŤ IBA KVALIFIKOVANÝ TECHNIK, ALEBO AUTORIZOVANÝ SERVIS.

••DÔLEŽITÉ: Pres spustením skontrolujte, či vo vnútri ohrievača nezostali kúsky balienia, príslušenstvo alebo iné cudzie predmety.

••DÔLEŽITÉ: Pred spustením skontrolujte, či bol ohrievač správne namontovaný (pripojený k plynoinštalácii, či vstupný tlak a elektrické pripojenie spĺňajú platné normy, a či sa zhodujú s údajmi na výrobnom štítku), tak, aby nič nebránilo prietoku vzduchu.

••DÔLEŽITÉ: Počas prvého spustenia je potrebné pomocou atestovaného detektora plynu overiť, či sú všetky vedenia a spoje tesné, a či nedochádza k nežiaducemu uvoľňovaniu plynu.

Ohrievač môže byť spustený v režime vetrania alebo v režime ohrievania. Ak chcete spustiť režim vetrania, prestavte tlačidlo do pozície „VENTILÁTOR“ (Obr. 21), takýmto spôsobom sa v ohrievači spustí iba motor, a obvod plynu zostane zatvorený. Ak chcete spustiť režim ohrievania, prestavte tlačidlo do pozície „PLAMENŇ“ (Obr. 22). Keď sa spustí režim ventilátora, ohrievač vykonáva vstupné prepláchnutie spaľovacej komory, čo trvá približne 30 sekúnd, a preto sa otvára plynový obvod, zapaluje sa oheň, a spúšťa sa spaľovanie. Ak k zapáleniu nedôjde trikrát po sebe, ohrievač sa zablokuje. Ak chcete ohrievač zresetovať, presuňte tlačidlo spustenia do pozície „O“ (Obr. 23). Analýza preventívnych opatrení a prípadných príčin je predstavená formou tabuľky (časť „Problémy, príčiny, riešenia a preventívne prostriedky“).

POZOR: AK SA OHRIEVAČ NEROZHORÍ ANI NA TRETÍ POKUS, JE POTREBNÉ ZISTIŤ PRÍČINU TOHTO PROBLÉMU, PRETO ČO NAJSKÔR KONTAKTUJTE AUTORIZOVANÝ SERVIS.

►► 11. DIAGNOSTICKÁ KONTROLKA

Ohrievač má nainštalovanú kontrolku na monitorovanie fungovania zariadenia (Obr. 25):

- KONTROLKA VYPNUTÁ (normálny stav): Znamená, že ohrievač je vypnutý, alebo že funguje správne.
- KONTROLKA NEUSTÁLE SVIETI: Signalizuje blokádu ohrievača.

►► 12. VYPÍNANIE

Ak chcete ohrievač vypnúť, prestavte tlačidlo do pozície „0“ (Obr. 23).

POZOR: AK JE TLAČIDLO V POLOHE „0“, OHRIEVAČ JE VYPNUTÝ, ALE STÁLE JE NAPÁJANÝ Z EL. SIETE. POČAS VYKONÁVANIA ÚDRŽBY, ČISTENIA ALEBO INÝCH PRÁC, OHRIEVAČ MUSÍ BYŤ ÚPLNE ODPOJENÝ OD EL. SIETE (Obr. 24).

►► 13. PRIPOJENIE TERMOSTATU TEPLoty OKOLIA

•DÔLEŽITÉ: Ak je ohrievač riadený prostredníctvom vzdialeného termostatu teploty okolia, môže sa opätovne spustiť v ľubovoľnej chvíli, ak teplota klesne pod nastavenú prahovú teplotu.

Ak chcete pripojiť vzdialený termostat teploty okolia, zložte maticu spojenú s ohrievačom a pripojte vzdialený termostat teploty okolia (voľba) (Obr. 26).

►► 14. ČISTENIE OHRIEVAČA

•DÔLEŽITÉ: Ak nie je ohrievač vopred vypnutý, nesmú sa na ňom vykonávať žiadne činnosti (Obr. 23), musí byť odpojený aj napájací kábel (Obr. 24).

Užívateľ môže čistiť iba vonkajšie povrchy ohrievača. Vonkajšie časti ohrievača sa majú čistiť iba vlhkou, nie drsnou handrou (nepoužívajte špongie s prostriedkami s agresívnym účinkom, ani drsné čistiace prostriedky). Po vyčistení povrch dôkladne vysušte.

POZOR: AK JE POTREBNÉ VYČISTIŤ OHRIEVAČ DÔKLADNEJŠIE, KONTAKTUJTE AUTORIZOVANÝ SERVIS.

►► 15. VYLÚČENIE OHRIEVAČA Z PREVÁDZKY

Ak sa ohrievač nebude dlhšie používať, odpojte ho od el. siete (Obr. 24) a zabezpečte ho proti pôsobeniu vlhkosti a prachu. Pred opätovným použitím ohrievača, overte technický stav elektrického kábla; v prípade pochybností, čo do správneho stavu, kontaktujte autorizovaný servis. Ohrievač sa musí bezpodmienečne kontrolovať aspoň raz ročne.

►► 16. VOĽBY

- Súprava na montáž zariadenia vonku (recirkulácia alebo nasávanie vzduchu závisí od nastavenia vonkajšej polohy klapky).
- Vzdialený termostat teploty okolia.
- Difuzér na výduchu.

►► 17.PROBLÉMY, PRÍČINY, RIEŠENIA A PREVENTÍVNE PROSTRIEDKY

PROBLÉMY	PRÍČINY	PRÍČINY
Ohrievač nefunguje	Nie je el. napätie	1.Skontrolujte elektroinštaláciu 2.Skontrolovať elektrické spoje 3.Autorizovaný servis
	Nesprávne pripojený termostat teploty okolia	1.Správne pripojte termostat teploty okolia
Ohrievač nefunguje v režime vykurovania	Reakcia termostatu teploty okolia (voľba)	1.Termostat teploty okolia nastavte na čo najnižšiu teplotu
	Nesprávne pripojený termostat teploty okolia	1.Správne pripojte termostat teploty okolia
	Nesprávne naložená clona na hniezde termostatu okolitej teploty	1.Správne naložte clonu na hniezdo
	Nie je privádzaný plyn	1.Skontrolujte plynoinštaláciu 2.Autorizovaný servis
	Blokáda ohrievača	1. Ohrievač opätovne spustíte, tlačidlo napájania presuňte na „0“ 2.Autorizovaný servis
	Poškodený elektronický systém	1.Autorizovaný servis
	Nesprávna kalibrácia ohrievača	1.Autorizovaný servis
Plameň zhasína	Poškodený elektronický systém	1.Autorizovaný servis
Plameň zhasí na počas normálneho používania	Reakcia termostatu teploty okolia (voľba)	1.Termostat teploty okolia nastavte na čo najnižšiu teplotu
	Nie je privádzaný plyn	1.Skontrolujte plynoinštaláciu 2.Autorizovaný servis
	Nie je el. napätie	1.Skontrolujte elektroinštaláciu 2.Skontrolujte elektrické spoje 3.Autorizovaný servis
	Prehriatie ohrievača	1.Vyčistite vstupný prieduch (v dolnej časti) a opätovne ručne zapnite termostat prehriatia (Obr. 27) 2.Hraničná pracovná teplota ohrievača je príliš vysoká 3.Teplota nasávaného vzduchu je príliš vysoká 4.Na zariadenie pôsobí príliš silné slnečné žiarenie 5.Autorizovaný servis

СЪДЪРЖАНИЕ

1...	ОПИСАНИЕ
2...	ПРЕДУПРЕЖДЕНИЯ
3...	РАЗОПАКОВАНЕ
4...	МАНИПУЛАЦИИ НА АПАРАТУРАТА
5...	ПОЗИЦИОНИРАНЕ
6...	СВЪРЗВАНЕ КЪМ ЗАХРАНВАНЕТО С ГАЗ
7...	СВЪРЗВАНЕ КЪМ ЗАХРАНВАНЕТО С ЕЛЕКТРИЧЕСТВО
8...	КОНВЕРТИРАНЕ КЪМ ДРУГ ВИД ГОРИВО
9...	ТИП НА ГОРИВОТО
10...	ВКЛЮЧВАНЕ
11...	ИНДИКАЦИЯ ЗА ГРЕШКИ
12...	ИЗКЛЮЧВАНЕ
13...	СВЪРЗВАНЕ НА ТЕРМОСТАТА ЗА ОТДАЛЕЧЕНО ОТЧИТАНЕ В СТАЯТА
14...	ПОЧИСТВАНЕ НА ОТОПЛИТЕЛНОТО ТЯЛО
15...	ИЗВЕЖДАНЕ НА ОТОПЛИТЕЛНОТО ТЯЛО ОТ РАБОТЕН РЕЖИМ
16...	ДОПЪЛНИТЕЛНИ АКСЕСОАРИ
17...	ОТСТРАНЯВАНЕ НА ПРОБЛЕМИ

ВАЖНО: ПРОЧЕТЕТЕ И РАЗБЕРЕТЕ ТОЗИ НАРЪЧНИК ПРЕДИ ДА СГЛОБИТЕ, СТАРТИРАТЕ ИЛИ СПРЕТЕ ЗА ПОДДРЪЖКА ТОВА ОТОПЛИТЕЛНО ТЯЛО. ИЗПОЛЗВАНЕТО ПО НЕПРАВИЛЕН НАЧИН НА ТОВА ОТОПЛИТЕЛНО ТЯЛО МОЖЕ ДА ДОВЕДЕ ДО СЕРИОЗНИ КОНТУЗИИ. ЗАПАЗЕТЕ ТОЗИ НАРЪЧНИК ЗА СПРАВКА ПРИ НУЖДА.

►► 1. ОПИСАНИЕ

Газовото отоплително тяло е продукт, който освобождава топлина в стаята и работи или на природен газ, или на течен пропан бутан. Предназначено е за фиксиран монтаж в закрити помещения или на открито като помещенията се оценяват със специалните комплекти за оценка). Въздухът, който се тегли от вентилационната система се подава към горелката, която контролира горенето. По този начин въздухът се загрява и се изпуска обратно в помещението. Тази система за директно изгаряне смесва вторичните продукти от горенето с въздуха, който се тегли и ги освобождава в околната среда по-късно. Това означава, че погълнатото количество въздух е по-голямо от нужното за горенето и

топлият въздух е с ниска концентрация на въглероден двуокис.

Тази система Ви позволява да използвате отоплителното тяло като:

- Тяло с максимална топлинна ефективност.
- Тяло с ниска температурна инертност.
- Тяло с малки размери и ниско собствено тегло.
- Тяло с опростен дизайн.
- Тяло с максимална надеждност.

Благодарение на вградената специфична функция, можете да активирате само вентилационния контур и да превъртате въздуха през тялото.

Този продукт може да бъде идентифициран по данните на табелката, която показва видовете горива, които следва да използвате, спецификациите,

както и всички технически параметри на устройството. Ако по случайност загубите или повредите табелката или наръчника, то моля да се свържете с нас за дубликати.

►► 2. ПРЕДУПРЕЖДЕНИЯ

••2.1. ⚠ВАЖНО: Производителят отговаря за съответствието на продукта със законодателството, директивите и конструкторските стандарти по време на продажбата. Техникът и потребителят са отговорни за обучението по - и спазването на наредбите и стандартите, които касаят спецификациите, монтажа и експлоатацията на системата.

••2.2. ⚠ВАЖНО: Производителят не носи каквато и да е отговорност за неспазването на инструкциите в този наръчник, както и за действията, които биха могли да бъдат предприети, но не са описани тук.

••2.3. ⚠ВАЖНО: Тази инструкция е неделима част от устройството и следва да я пазите внимателно. Тя трябва да остане част от устройството дори и при смяна на собственика. Ако загубите табелката или този наръчник, то моля поискайте ново копие от оторизираните ни представители.

••2.4. ⚠ВАЖНО: Този уред не е предназначен за употреба от хора (включително от деца) с намалена дееспособност в когнитивен или осезателен план, както и от лица с липса на опит или квалификация, освен в случаите на наличен квалифициран надзорник по безопасността. Децата трябва да бъдат наблюдавани, за да се предотврати играта с устройството. Дръжте животните на безопасно разстояние.

••2.5. ⚠ВАЖНО: Неправилното използване на това устройство може

да доведе до контузии, повреди, изгаряния, експлозии, електрически удар или опасност за живота. Първите признаци на задушаване с въглероден оксид са подобни на грип с главоболие, лека замаяност и/или гадене. Тези симптоми могат да се появят ако устройството не функционира правилно. АКО УСЕТИТЕ ПОДОБНИ СИМПТОМИ, ТО ИЗЛЕЗТЕ ОТ ПОМЕЩЕНИЕТО НЕЗАБАВНО и поправете устройството, като използвате квалифициран техник.

••2.6. ⚠ВАЖНО: Производителят не поема отговорност за контузиите на физическите лица и животните поради неправилен монтаж, неправилна поддръжка или неправилна употреба.

••2.7. ⚠ВАЖНО: Спазването на законите, разпоредбите, директивите и техническите нормативи, които биха могли да бъдат засегнати в този наръчник служат за справка и се приема, че са верни и актуални към датата на издаване на този наръчник. Публикуването на нови версии на тези нормативни документи след датата на издаване на този наръчник не задължава производителя към трети лица.

••2.8. ⚠ВАЖНО: Отопляващото тяло следва да бъде монтирано от квалифициран техник. Връзката за газ и електричество изисква квалифициран персонал, който да даде декларация за съответствието на извършения монтаж според стандартите (т.е. според валидните в момента стандарти и инструкциите на производителя, дадени в този наръчник). Работата, която изисква работа в опасни зони (поддръжки, поправки и т.н.) следва да се извършва само от персонал със съответната подготовка, за да се избегнат рисковете.

••2.9.⚠️**ВАЖНО:** Устройството няма регулатори на подавания газ, нито тръби за връзка с инсталацията. Затова, моля свържете се с квалифициран техник.

••2.10.⚠️**ВАЖНО:** Устройството се захранва със специфичен газ. Всички промени по устройството следва да са извършени от квалифициран техник на свободна практика или от назначен от производителя. **АКО НАПРАВИТЕ ПРОМЕНИ Е НУЖНО ДА ПОПЪЛНИТЕ ПРАЗНАТА ИДЕНТИФИКАЦИОННА ТАБЕЛКА, КОЯТО ПОЛУЧАВАТЕ С ПРОДУКТА.**

••2.11.⚠️**ВАЖНО:** Стойността на налягането на захранващия газ следва да се проверява редовно от квалифициран техник.

••2.12.⚠️**ВАЖНО:** Монтирайте само по предписания тук начин, за да избегнете контузии.

••2.13.⚠️**ВАЖНО:** Не използвайте, за да отоплявате дома си или жилищни сгради; за да използвате в публични здания, моля направете справка с местното законодателство.

••2.14. За правилната употреба на отоплителното тяло и за икономията на гориво, моля спазвайте всички валидни местни наредби и стандарти.

••2.15. Ако монтирате отоплителното тяло на закрито, то е нужно да осигурите свеж въздух. Държавните стандарти, които са валидни за монтажа и оценката на устройства, осигуряващи поток на свеж въздух, включително и техническите стандарти са предназначени за осигуряването на пожарна безопасност.

••2.16. Използвайте само за отопление или за вентилация. Спазвайте инструкциите без да допускате компромиси.

••2.17. Alimentare il riscaldatore solamente con combustibile, pressione gas,

tensione e frequenza elettrica espressamente specificata nella terghetta dati applicata al riscaldatore.

••2.18. Уверете се, че устройството е свързано към електрическата мрежа посредством надежден прекъсвач и че е заземено.

••2.19. Забранено е да използвате в мазета и помещения под земята.

••2.20. Забранено е да използвате в места с експлозивни прахови частици, пушеци, газове, горива, разтворители, бои и други.

••2.21. Когато използвате употребяват оборудването в близост до брезент, тенти или други покривала е препоръчително да вземете допълнителни мерки за сигурност като обезопасяване срещу пожар. Уверете се, че горещите части са далеч от лесно запалими материали (тъкани, хартия, дърво и други) или от влияещи се от температура материали (включително и от захранващи кабели). При всички положения не бива да намалявате дистанцията под 3 метра.

••2.22. Отдушника (разположен в дъното на устройството) и/или изходния клапан (преден панел) следва да бъдат винаги отворени и да нямат препятствия пред себе си по какъвто и да било повод (можете да използвате предоставените от производителя въздуховоди за целта).

••2.23. Ако затоплящото тяло не се включва или включването е съпроводено с аномалии, то моля прочетете раздела „Отстраняване на Проблеми“.

••2.24. Никога не местете или подлагайте на каквито и да било процедури (включително на поддръжка) в работен режим.

••2.25. Не отваряйте страничните врати за инспекция и не извършвайте каквито и да било дейности, докато

устройството е в работен режим или докато е захранено, но не е в работен режим.

••2.26. Ако усетите миризма на газ, то изключете устройството незабавно, спрете подаването на газ, изключете електрическото захранване, отворете вратите и прозорците, за да има приток на свеж въздух и се свържете с квалифициран техник по поддръжката.

••2.27. Когато управлявате устройството с термостат (аксесоар по избор) ще получите автоматично включване щом температурата се понижи под определена стойност.

••2.28. Ако не използвате апарата за дълъг период от време, то Ви препоръчваме да повикате техник преди да го пуснете отново в употреба.

••2.29. Използвайте само и единствено оригинални аксесоари за апарата. Производителят не носи отговорност за повреди и контузии поради неподходящи материали и части.

••2.30. Не модифицирайте и не подправяйте уреда, тъй като тези Ваши действия могат да доведат до създаването на рискови ситуации. В тези случаи производителят отказва да поеме отговорност за нанесените щети и за телесните повреди.

••2.31. Не поставяйте каквито и да било предмети на отоплителното тяло.

••2.32. Не вкарвайте предмети през решетките на отоплителното тяло.

••2.33. Не се докосвайте до решетката за изходящия въздух, тъй като същата може да достигне много високи температури по време на работа и може да причини сериозно изгаряне на кожата Ви.

••2.34. Не използвайте адаптери, разклонители и удължители за свързването на апарата към електрическата мрежа.

••2.35. Не извършвайте почистване и поддръжка преди да се уверите,

че захранването с електричество и гориво е прекъснато.

••2.36. Потърсете професионален технически съвет, за да се уверите, че апаратът Ви работи правилно поне веднъж годишно и/или когато Ви се налага.

►► 3. РАЗОПАКОВАНЕ

НЕ ИЗХВЪРЛЯЙТЕ ОПАКОВЪЧНИТЕ МАТЕРИАЛИ (КАРТОН, ПЛАСТМАСИ, НАЙЛОНОВИ ТОРБИ И ДРУГИ). СЪЩО ТАКА СЕ УВЕРЕТЕ, ЧЕ СЪЩИТЕ НЕ СЕ ДАВАТ НА ДЕЦА И НЕ СА В ДОСЕГА ИМ, ТЪЙ КАТО СА ПОТЕНЦИАЛНО ОПАСНИ ЗА ЖИВОТА ИМ.

Премахнете всички опаковъчни материали и ги съхранете или ги предайте за рециклиране. Проверете за повреди на апарата при транспорта. Ако забележите видими повреди, моля информирайте Вашия представител незабавно.

►► 4. МАНИПУЛАЦИИ НА АПАРАТУРАТА

БОРАВЕНЕТО С АПАРАТА Е ЗА КВАЛИФИЦИРАН ПЕРСОНАЛ, РАЗПОЛАГАЩ С ПОДХОДЯЩИ УСТРОЙСТВА И ИНСТРУМЕНТИ, СПОРЕД ДЕЙСТВАЩИТЕ СТАНДАРТИ НА СТРАНАТА, В КОЯТО СЕ МОНТИРА УСТРОЙСТВОТО.

► 4.1. БОРАВЕНЕ С ПАКЕТИРАНИЯ АПАРАТ

Можете да повдигнете пакетирания апарат с мотокар като поставите вилницата му под основата на пакета.

► 4.2. БОРАВЕНЕ С РАЗОПАКОВАННИЯ АПАРАТ

Можете да повдигнете пакетирания апарат с мотокар като поставите

вилищата му под основата на пакета или като използвате вериги или куки.

►► 5. ПОЗИЦИОНИРАНЕ (Фигура. 1)

ПРОЧЕТЕТЕ СЕКЦИЯТА С ПРЕДУПРЕЖДЕНИЯ И СЛЕДВАЙТЕ ВНИМАТЕЛНО ДАДЕНИТЕ ИНСТРУКЦИИ ПРЕДИ И ПО ВРЕМЕ НА МОНТАЖА.

АПАРАТЪТ СЛЕДВА ДА БЪДЕ ПОЗИЦИОНИРАН ОТ КВАЛИФИЦИРАН ПЕРСОНАЛ, РАЗПОЛАГАЩ С ПОДХОДЯЩИ УСТРОЙСТВА И ИНСТРУМЕНТИ, СПОРЕД ДЕЙСТВАЩИТЕ СТАНДАРТИ НА СТРАНАТА, В КОЯТО СЕ МОНТИРА УСТРОЙСТВОТО.

••ВАЖНО: Не захранвайте отоплителното тяло преди да довършите монтажа, за да избегнете контузии и повреди.

Устройството е предназначено за монтаж на закрито (можете да монтирате и на открито, като използвате достъпния ни комплект от незадължителни аксесоари). Преди да поставите апарата на мястото му се уверете, че той не е в близост до запалими материали, че е спазено отстоянието му от земята и че входът за въздух не е запречен по какъвто и да е начин. Поради това ще Ви е нужно да се уверите, че има разстояние между решетката и земята, защото в противен случай рискувате засмукването на предмети. Поставете апарата на място, което позволява лесната му поддръжка и инспекция. Закрепете стабилно към носещата структура. Не добавяйте допълнително тегло към апарата.

► 5.1. МОНТАЖ НА ЗАКРИТО НА ТАВАНА (Фигури 2-3)

Всяка верига и кука за окачване трябва да поддържа минимално тегло от 100 килограма. Повърхността, на която ще монтирате, например на тавана трябва да издържа минимално натоварване от 200 килограма. Трябва да има положителен ъгъл между веригите с достатъчна големина, така че да се предотврати заклащане на апарата.

► 5.2. МОНТАЖ НА СТЕНАТА (Фигури 4)

Всеки винт на стената трябва да издържа минимален товар от 200 килограма. Носещата структура следва да издържа поне теглото на отоплителното тяло.

► 5.3. МОНТАЖ НА ОТКРИТО НА СТЕНА (Фигури 5)

Всеки винт на стената трябва да издържа минимален товар от 200 килограма. Носещата структура следва да издържа поне теглото на отоплителното тяло. Входа за въздух и въздуховодите следва да са по спецификацията на оригиналния комплект (Виж раздел „допълнителни аксесоари“).

►► 6. СВЪРЗВАНЕ КЪМ ЗАХРАНВАНЕТО С ГАЗ (Фигури 6)

ПРОЧЕТЕТЕ СЕКЦИЯТА С ПРЕДУПРЕЖДЕНИЯ И СЛЕДВАЙТЕ ВНИМАТЕЛНО ДАДЕНИТЕ ИНСТРУКЦИИ ПРЕДИ И ПО ВРЕМЕ НА МОНТАЖА.

ЗАХРАНВАНЕТО С ГАЗ СЛЕДВА ДА БЪДЕ ИЗВЪРШЕНО ОТ КВАЛИФИЦИРАН ПЕРСОНАЛ, РАЗПОЛАГАЩ С ПОДХОДЯЩИ УСТРОЙСТВА И ИНСТРУМЕНТИ, СПОРЕД ДЕЙСТВАЩИТЕ СТАНДАРТИ НА СТРАНАТА, В КОЯТО СЕ МОНТИРА УСТРОЙСТВОТО.

I Отоплителното тяло е предвидено за работа с различни видове газове, но идва с фабрична настройка (вижте табелката на апарата). Никога не превишавайте максималните стойности на входното налягане, за да предпазите апарата от сериозна повреда.

Регулаторът за газ следва да е извън отопляваната сграда и да гарантира налягане според валидните разпоредби и спецификацията на апарата. Регулаторът може да се монтира и на закрито, но само при условия, че е правилно вентилиран. Позовете се на валидното законодателство за правилния начин на монтиране.

Свържете апарата със захранващия газопровод и проявете внимание към детайлите (ISO 7-1:1994 резби за връзки с конична форма). Тръбите за газ трябва да са оразмерени, позиционирани и закрепени правилно. По време на монтажа, моля използвайте устройство, за да проверите за течове на газ поради лошо уплътняване или поради повреда на контура за захранване с газ.

►► 7. СВЪРЗВАНЕ КЪМ ЗАХРАНВАНЕТО С ЕЛЕКТРИЧЕСТВО

ПРОЧЕТЕТЕ СЕКЦИЯТА С ПРЕДУПРЕЖДЕНИЯ И СЛЕДВАЙТЕ ВНИМАТЕЛНО ДАДЕНИТЕ ИНСТРУКЦИИ ПРЕДИ И ПО ВРЕМЕ НА МОНТАЖА.

ЗАХРАНВАНЕТО С ЕЛЕКТРИЧЕСТВО СЛЕДВА ДА БЪДЕ ИЗВЪРШЕНО ОТ КВАЛИФИЦИРАН ПЕРСОНАЛ, РАЗПОЛАГАЩ С ПОДХОДЯЩИ УСТРОЙСТВА И ИНСТРУМЕНТИ, СПОРЕД ДЕЙСТВАЩИТЕ СТАНДАРТИ НА СТРАНАТА, В КОЯТО СЕ МОНТИРА УСТРОЙСТВОТО.

••ВАЖНО: Отоплителното тяло следва да бъде свързано с подходящ диференциален и магнитно–термичен управляващ елемент, който да гарантира изключването на захранването при аномалии в работата на апарата. За правилната функция на апарата е нужно да се уверите, че е извършено правилно заземяване.

Препоръчваме Ви да използвате кабел със сечение 1,5 mm² (AWG 16) H07 с дължина не повече от 5 m. след като се уверите, че нема връзка със захранващия газопровод, отворете електрическото табло (Фигура 7), поставете захранващия кабел в предвиденото за целта място (Фигура 8) и свържете кабелите към подходяща клемма (Фигура 9). След като завършите връзките си, моля затворете таблото.

►► 8. КОНВЕРТИРАНЕ КЪМ ДРУГ ВИД ГОРИВО

ПРОЧЕТЕТЕ СЕКЦИЯТА С ПРЕДУПРЕЖДЕНИЯ И СЛЕДВАЙТЕ ВНИМАТЕЛНО ДАДЕНИТЕ ИНСТРУКЦИИ ПРЕДИ И ПО ВРЕМЕ НА МОНТАЖА.

КОНВЕРТИРАНЕТО КЪМ ДРУГ ВИД ГОРИВО СЛЕДВА ДА БЪДЕ ИЗВЪРШЕНО ОТ КВАЛИФИЦИРАН ПЕРСОНАЛ, РАЗПОЛАГАЩ С ПОДХОДЯЩИ УСТРОЙСТВА И ИНСТРУМЕНТИ, СПОРЕД ДЕЙСТВАЩИТЕ СТАНДАРТИ НА СТРАНАТА, В КОЯТО СЕ МОНТИРА УСТРОЙСТВОТО.

••ВАЖНО: Конвертирането към друг вид гориво следва да се извърши след затварянето и премахването на връзките за получаване на газ и електрическа енергия (Фигура 24).

Съвместимите типове гориво са упоменати накратко в информационната табелка (там можете да откриете и оригиналното гориво, на което е работил апарата). След като конвертирате Вашия апарат, то моля да отразите новите му параметри на празната идентификационна табелка която сте получили при доставката. По-долу са дадени стъпките за конвертиране към друг вид гориво:

► 8.1. ПРЕМАХНЕТЕ КЛАПАНА И ТРЪБАТА НА ДЮЗАТА, ПРЕМАХНЕТЕ ОПОРАТА НА ДЮЗАТА, ПРЕМАХНЕТЕ ДЮЗАТА

ПРОЦЕДУРА:

- 8.1.1. Премахнете пръстена с коничния връх, който притяга клапана (Фигура 10).
 - 8.1.2. Премахнете винта на опората на дюзата (Фигура 11).
 - 8.1.3. Извадете опората на дюзата и тръбата за газ (Фигура 12).
 - 8.1.4. Премахнете дюзата (Фигура 13).
- ВНИМАНИЕ: СЪХРАНЕТЕ ВСЯКА ЕДНА ЧАСТ ОТ СВАЛЕНИТЕ ЕЛЕМЕНТИ (УПЛЪТНИТЕЛИ, КОНИЧНИ ЧАСТИ И Т.Н.).**

► 8.2. ИЗБОР НА ДЮЗА

Избор на подходяща дюза:

- Дюза за LPG = 5 мм диаметър
- Дюза за G20 = 10 мм диаметър
- Дюза за G25 = 10 мм диаметър

► 8.3. ПОСТАВЯНЕ НА КЛАПАНА И ОСНОВАТА НА ДЮЗАТА, ТРЪБАТА ЗА ЗАХРАНВАНЕ С ГАЗ, ПОСТАВЯНЕ НА ОПОРАТА И НА САМАТА ДЮЗА

ПРОЦЕДУРА:

- 8.3.1. Прикачете дюзата към основата и се уверете, че връзката не пропуска въздух. Уверете се, че дюзата Ви е подходяща (Фигура 13).
- 8.3.2. Поставете основата на дюзата, ведно с тръбата под горелката и затегнете към основата с помощта на винт (Фигура 11 и 12).

•8.3.3. Притегнете конусовидния пръстен към клапана за газ (Фигура 10).

•8.3.4. Уверете се, че връзките са стегнати и не пропускат газ.

ВНИМАНИЕ: ПРИ УПОТРЕБАТА НА G20/ G25, МОЛЯ МОНТИРАЙТЕ ФУНИЯТА ЗА РЕДУКЦИЯ НА ВЪЗГУШНИЯ ПОТОК (Фигура 14). ТЯ Е НУЖНА САМО ЗА ГАЗОВЕ ОТ ТИП G20/G25.

► 8.4. НАСТРОЙКА НА ИЗХОДНОТО НАЛЯГАНЕ ОТ КЛАПАНА ЗА ГАЗ

ВНИМАНИЕ: НАСТРОЙКАТА ТРЯБВА ДА БЪДЕ ИЗВЪРШЕНА БЪРЗО И ТОЧНО.

След като поставите водещата тръба на дюзата е нужно да задействате вентила на апарата и да зададете нужното работно налягане. Настройката се извършва при пуснат апарат (т.е. при свързано подаване на газ и електрическа енергия). Преди да започнете да настройвате се уверете, че подавате правилния вид газ (според вида на дюзата).

ПРОЦЕДУРА:

- 8.4.1. Идентифицирайте мястото, където се измерва налягането в прибора и охлабете винта му (Фигура 15).
- 8.4.2. Свържете гъвкав гумен маркуч и се уверете, че е затегнат (Фигура 16). Предвид че налягането в момента е минимално е препоръчително да използвате диференциален манометър или още по-добре манометър, работещ на принципа на водния стълб.
- 8.4.3. Премахнете защитния капак (Фигура 17) и идентифицирайте винта за настройка на налягането в газовия клапан.
- 8.4.4. Пригответе специфичния си инструмент за боравене с настройваемата игла.
- 8.4.5. Включете устройството и изчакайте няколко секунди. Включете подаването на газ и ще получите пламък. Точно в този момент е времето да завъртите иглата (Фигура 18) докато

не достигнете желаното налягане (въртете по часовниковата стрелка за увеличаване и срещу часовниковата стрелка, за да намалите налягането). След настройката на налягането Ви препоръчваме да повторите пусковия процес три пъти със затворени врати и като проверите отново изходното налягане на газовия клапан. Преди да завършите конвертирането към друг вид газ, моля уверете се, че всички сглобки са стегнати и няма изтичане на газ.

•8.4.6. След като завършите конвертирането, моля да отразите новите параметри на празната табелка, която получавате с доставката на апарата (Фигура 19) и да я приложите към отоплителното тяло.

►► 9. ТИП НА ГОРИВОТО

ИЗПОЛЗВАЙТЕ САМО ГАЗ, СЪОТВЕТСТВАЩ НА КАТЕГОРИЯТА СПОРЕД СПЕЦИФИКАЦИЯТА НА АПАРАТА, ЗА ДА ИЗБЕГНЕТЕ СЕРИОЗНИ ПОВРЕДИ.

►► 10. ВКЛЮЧВАНЕ (Инструкции за запалване, вентилация и отопление) (Фигура. 20)

ПРОЧЕТЕТЕ СЕКЦИЯТА С ПРЕДУПРЕЖДЕНИЯ И СЛЕДВАЙТЕ ВНИМАТЕЛНО ДАДЕНИТЕ ИНСТРУКЦИИ ПРЕДИ И ПО ВРЕМЕ НА МОНТАЖА.

СТАРТИРАНЕТО СЛЕДВА ДА БЪДЕ ИЗВЪРШЕНО ОТ КВАЛИФИЦИРАН ПЕРСОНАЛ ИЛИ ОТ ОТОРИЗИРАН ТЕХНИК НА ПРОИЗВОДИТЕЛЯ.

••ВАЖНО: Преди първото запалване се уверете, че няма остатъци от опаковъчните материали вътре в отоплителното тяло.

••ВАЖНО: Преди да включите, моля да се уверите в правилния монтаж (има връзка с газопровода, има електрическа връзка по стандартите за безопасност и с възможност за осигуряване на нужната енергия). Също така се уверете, че няма пречки пред контура за поемане на въздух.

••ВАЖНО: По време на първото запалване използвайте одобрено устройство за проверка за течове на газ поради лошо затягане или повреда на контура за газ.

Уредът работи във вентилационен и в отопляващ режим. За да стартирате вентилационния режим, моля нагласете ключа на позиция „Вентилатор” („FAN”) (Фигура 21). По този начин отоплителното тяло работи само с двигателя си и не се подава газ. Ако искате да започнете загряване, то преместете ключа в позиция „Пламък” („FLAME”) (Фигура 22). Отваря се контурът за подаване на газ и се извършва подготовка на горивната камера (само вентилатор за около 30 секунди).

Ако запалването се провали три последователни пъти или повече, то механизмът е блокиран. За да върнете системата в изходно положение, моля преместете ключа в позиция „О” (Фигура 23). За Ваше улеснение сме предоставили и кратък списък на най-често срещаните грешки в раздела „Отстраняване на проблеми”.

ВНИМАНИЕ: АКО ЗАПАЛВАНЕТО СЕ ПРОВАЛИ ПОВЕЧЕ ОТ ТРИ ПОСЛЕДОВАТЕЛНИ ПЪТИ, ТО Е НЕЖНО ДА ПОТЪРСИТЕ ПРОФЕСИОНАЛЕН СЪВЕТ ОТ НАШИТЕ КВАЛИФИЦИРАНИ СПЕЦИАЛИСТИ.

►► 11.ИНДИКАЦИЯ ЗА ГРЕШКИ

Уредът е снабден със светлинен индикатор (Фигура 25):

- Ако индикаторът е изключен, то или уредът работи правилно, или е изключен (нормална индикация).
- Ако индикаторът е включен, то отоплителното тяло е блокирано.

►► 12.ИЗКЛЮЧВАНЕ

За да изключите уреда, моля завъртете ключа в позиция „О” (Фигура 23).

ВНИМАНИЕ: КОГАТО ЗАВЪРТИТЕ КЛЮЧА В ПОЗИЦИЯ „О”, НАГРЕВАТЕЛЯТ ВСЕ ОЩ Е СВЪРЗАН КЪМ ЕЛЕКТРИЕСКАТА МРЕЖА. ЗА ПОЧИСТВАНЕ И ПОДДРЪЖКА, МОЛЯ ИЗКЛЮЧЕТЕ ИЗЦЯЛО ЕЛЕКТРИЧЕСКОТО ЗАХРАНВАНЕ (Фигура 24).

►► 13.СВЪРЗВАНЕ НА ТЕРМОСТАТА ЗА ОТДАЛЕЧЕНО ОТЧИТАНЕ В СТАЯТА

••ВАЖНО: Когато отоплителното тяло се управлява от термостат в стаята получавате автоматично включване при спадане на температурата под зададената стойност.

bg За да свържете термостата, моля премахнете капачката на буксата и свържете термостата си (Фигура 26).

►► 14.ПОЧИСТВАНЕ НА ОТОПЛИТЕЛНОТО ТЯЛО

••ВАЖНО: Не почиствайте уреда преди да сте го изключили (Фигура 23) и да сте го изключили от електрическото захранване (Фигура 24).

Единственият възможен процес на почистване от страна на потребителя се касае за външните повърхности (не използвайте гъби, напоени с агресивни продукти или прахообразни почистващи детергенти. След като почистите повърхността, моля подсушете я старателно.

ВНИМАНИЕ: АКО ИМАТЕ НУЖДА ОТ ПО-СПЕЦИАЛИЗИРАНО ПОЧИСТВАНЕ НА УРЕДА, МОЛЯ ДА СЕ СВЪРЖЕТЕ С КВАЛИФИЦИРАНИТЕ НИ ТЕХНИЦИ.

►► 15.ИЗВЕЖДАНЕ НА ОТОПЛИТЕЛНОТО ТЯЛО ОТ РАБОТЕН РЕЖИМ

Ако не използвате уреда за средно / дълго време, то е редно да го изключите от електрическата мрежа (Фигура 24) и да го защитите от влага и прах. Когато сметнете за нужно да употребите устройството отново, моля проверете състоянието на захранващия кабел и при съмнения се свържете с квалифицираните ни консултанти. При всички положения проверявайте състоянието на уреда веднъж годишно.

►► 16.ДОПЪЛНИТЕЛНИ АКСЕСОАРИ

- Комплект за монтаж на открито (Рециркулацията или начина на засмукване зависят от позицията на външния регулатор на).
- Термостат за стая.
- Дифузьор за изходящ въздух.

►► 17. ОТСТРАНЯВАНЕ НА ПРОБЛЕМИ

ГРЕШКИ	ПРИЧИНИ	РЕШЕНИЯ
Уредът не работи	Няма напрежение	1. Проверете захранването 2. Проверете електрическите връзки 3. Свържете се с нашите консултанти
	Неправилно свързан термостат	1. Свържете термостата правилно
Устройството не работи като отоплително тяло	Термостатът е изключен (незадължителен аксесоар)	1. Нагласете заданието по температура под текущата стойност
	Неправилно свързан термостат	1. Свържете термостата правилно
	Буксата не е поставена правилно в леглото си	1. Свържете буксата правилно
	Не се подава газ	1. Проверете системата за подаване на газ 2. Свържете се с нашите консултанти
	Отоплителното тяло е блокирано	1. Върнете устройството в изходна позиция като върнете ключа в позиция „0” 2. Свържете се с нашите консултанти
	Дефект в електронното оборудване	1. Свържете се с нашите консултанти
	Неправилна настройка на уреда	1. Свържете се с нашите консултанти
Пламъкът не се задържа	Дефект в електронното оборудване	1. Свържете се с нашите консултанти
Пламъкът гасне по време на работа	Термостатът е изключен (незадължителен аксесоар)	1. Нагласете заданието по температура под текущата стойност
	Не се подава газ	1. Проверете системата за подаване на газ 2. Свържете се с нашите консултанти
	Няма напрежение	1. Проверете захранването 2. Проверете електрическите връзки 3. Свържете се с нашите консултанти
	Апаратът прегрява	1. Почистете разположения на дъното на апарата вход за въздух и върнете защитния термостат в нулева позиция (Фигура 27) 2. Температурните ограничения на нагревателя са превишени 3. Входната температура на въздуха е твърде висока 4. Уредът е изложен на продължително нагряване от слънчева светлина 5. Свържете се с нашите консултанти

段落目录

1...	描述
2...	警告
3...	拆除包装
4...	移动
5...	定位
6...	连接燃气
7...	连接电气
8...	转换为另一种气体的类型
9...	燃料类型
10...	启动
11...	诊断指示灯
12...	关闭
13...	遥控室内温控器
14...	加热器的清洁
15...	停用加热器
16...	选配
17...	故障，原因和解决方法

重要事项： 在进行加热器组装、投入运行或维修之前，请阅读并理解该操作手册。加热器错误的使用可能会造成严重伤害。请妥善保管该手册以便日后参考。

►►1.描述

这种气体加热器，是传递环境中空气热量的产品，通过使用天然气或液体丙烷气工作。在室内预先评价用于内部或外部固定安装和使用特殊套件。

由离心通风系统吸入的空气，被输送到控制燃烧的燃烧器。以这种方式，空气被加热和被反馈到室内。这种直接燃烧的系统，将燃烧产物与吸入空气混合，在稍后的时间将它们释放在室内。由于处理后的空气体积

大于燃烧的实际需要。热气出来具有二氧化碳的浓度低。该系统允许制成一个加热器带有：

- 最高热效率。
- 低的热惯性。
- 小尺寸和重量。
- 简单设计。
- 最大的可靠性。

通过一种特定的功能，可以只激活通风组，获得空气流动。可通过加热器的使用铭牌数据识别该产品，用不能去掉的方式写

下加热器需要使用气体燃料，其规格和全部技术信息。在数据铭牌或使用说明书损坏或丢失的情况下，请向授权技术服务中心申请一份副本。

▶▶2.警告

••2.1.⚠重要提示: 制造商对他的产品符合法律，指令或在销售的时候现行的建筑标准负责。关于了解和遵守涉及到设备的设计，安装，操作和维护法律规定是合格技术员，和授权技术服务中心和用户的责任。

••2.2.⚠重要提示: 对于不遵守包含在以下手册中的说明，未过明确规定执行任何操作的后果，或可能导致的误解任何翻译，制造商不承担责任。

••2.3.⚠重要提示: 本说明手册是加热器的一个组成部分，因此，必须始终小心保存，并且必须始终伴随设备，即使在转让给另一个所有者或用户的情况下。在数据铭牌或使用说明书损坏或丢失的情况下，请向授权服务中心申请一份副本。

••2.4.⚠重要提示: 该加热器不适用于（包括儿童）身体能力，感官或精神上有障碍或缺乏经验的人群使用，除非由一个人负责监督他们的安全。应照看好儿童，确保他们不玩弄加热器。

将动物保持在加热器安全距离以外的地方。

••2.5.⚠重要提示: 该加热器的不当使用可造成人员损伤或生命的危险，伤害，烧伤，爆炸，触电或中毒。一氧化碳窒息的最初的症状与感冒的症状很相似，伴有头痛，眩晕和/或恶心。这些症状可能由于加热器的不良运行所引起。如果出现了这些症状，应该立即走出到开放的环境中，并让技术支持中心对加热器进行修理。

••2.6.⚠重要提示: 由于安装，调试，维修的错误或使用不当造成人员，动物或财产损失排除制造商的任何合同和合同以外的责任。

••2.7.⚠重要提示: 本说明手册提到的法律，法规，指令和任何技术法规参考，旨在提供信息，并且被认为在其的印刷日期有效。新的规定或现行法律的修订的引入，将不构成制造商对第三方的义务的理由。

••2.8.⚠重要提示: 必须由专业人员进行加热器的定位和固定。必须由合格的技术人员执行气体和电网的连接，工作完毕后，将给户主留一份完美安装的声明，即符合现行有关规定和本说明手册制造商提供的说明。规定接近危险部件的操作（维护，维修等）必须由授权技术服务中心执行，以便任何避免危险。

••2.9.△重要提示: 加热器不具有固定网连接气和管子调节器, 因此需要联系合格的技术员进行安装。

••2.10.△重要提示: 加热器配有特定的气体设置。任何类型的转变和调整必须合格技术员或由授权技术服务中心执行。有关变化和调整, 必须填写加热器提供的中性数据铭牌。

••2.11.△重要提示: 进气压力的设置, 必须由合格的技术员核实。

••2.12.△重要提示: 加热器必须完全根据在本说明手册包含的说明进行安装, 以致防止火灾。

••2.13.△重要提示: 请勿用于住宅建筑的可居住区域供热; 有关公共建筑的使用, 请参看国家规定。

••2.14.关于正确使用加热器和燃料的保存, 遵守所有当地的法令和现行法规。

••2.15.如果热水器安装在里面, 需要有足够的空气交换。因此必须用于保证空气不断交换的房间。关于安装与空气交换评估, 适用现行的国家法规, 包括技术标准和预防事故以及防火方面的规定。

••2.16.该设备应仅用作暖空气加热器(加热模式), 或风扇(吹风模式)。严格按照这些指示使用。

••2.17.只用在加热器应用铭牌数据明确地所示燃料, 气体压力, 电压和电功率。

••2.18.请务必将加热器只连接到适当配备正确接地差动开关的电网。

••2.19.绝对禁止在地下室或低于地面水平使用加热器。

••2.20.加热器不得在有爆炸性粉尘, 烟雾, 气体, 燃料, 溶剂, 油漆的房间使用。

••2.21.如果在防水油布, 帐篷或覆盖的类似材料附近使用加热器, 推荐使用阻燃类型的额外保护。一定要保持适当的距离, 在任何情况下离易燃(布, 纸张, 木材等)或不耐热材料(包括电源线), 离加热器的高温部件不得少于3米。

••2.22.无论出于何种原因不应完全, 或部分阻塞进气口(后侧)和/或空气出口(前侧)从/到加热器可以使用空气管道。唯一授权是如制造商选配提供的管道。

••2.23.在点火失败或加热器异常的情况下, 请查阅相应章节(“故障, 原因和解决方法”段落)。

••2.24.当加热器在运行中不能移动, 处理, 也不能进行任何维护。

••2.25.在加热器运行或加热器停止和带电时, 禁止打开检查侧门, 并在里面执行操作。

••2.26.如果闻到气体的味道，立即关闭加热器，停止供气，从电源断开加热器，打开门窗通气空气，然后联系授权服务中心。

••2.27.当加热器由远程房间温控器控制时（选配），当温度低于设定的阈值时，在任何时候能够重新激活。

••2.28.但加热器长时间不用，建议咨询 授权的服务中心 为重新启动。

••2.29.加热器必须只配备原装配件。因加热器的使用不当和不是原装的材料和配件造成的任何损坏制造商概不负责。

••2.30.请勿修改或篡改加热器，因为这可能会导致危险情况。制造商不承担任何造成的损坏。

••2.31.禁止在加热器放置物件。

••2.32.禁止通过加热器的格栅插入物件。

••2.33.禁止触摸排气格栅，因为正常运行过程中可以达到很高的温度，这可能会导致严重的人身伤害。

••2.34.禁止使用适配器，电源板或延长线将加热器连接到电网。

••2.35.从电源和电源的燃料的断开加热器之前，禁止任何清洁和维护操作。

••2.36.让服务中心，至少一年一次，并/或根据需要，加热器的正常运作。

▶▶3.拆包

禁止将材料扔弃，或放置儿童可以接触的地方（纸板，塑料包装，袋子等），用为它们能构成危险。

除去用于打包和装运加热器的所有包装材料和按照现行规定处理它们。检查是否在运输过程中有所损坏。如果加热器发生损坏，请立即通知经销商。

▶▶4.搬运

加热器的搬运必须由有资质人员执行使用核实装置和工具，按照国家法规的规定和符合现行法律。

▶4.1.含包装加热器的搬运

通过定位在包装的底部基座的支架下可以用叉车抬起它。

▶4.2.包装加热器的搬运包装加热器的搬运

通过定位在包装的底部基座的支架下或通过使用链和悬挂钩，可以用叉车抬起它。

▶▶5.定位 (图。1)

在安装之前和过程中，认真阅读警告并遵守本使用说明书中包含的建议。

加热器的搬运必须由有资质人员执行使用核实装置和工具，按照国家法规的规定和符合现行法律。

••重要提示：在加热器安装完成之前不要通电，为了防止损坏未经和/或人员。

这个加热器被设计安装在建筑物内部或外部。使用该工具包原（“选配”段落）才有可能外部安装。在进行加热器的定位之前，确保找打安装的正确位置，远离易燃物，保持地面安全距离，以免阻碍，甚至部分，放在加热器的底部进气格栅。出于这个原因，核实从地面或材料可以吸入格栅的适当距离。安装位置必须方便出入，以便有利维护和控制的正常操作。该加热器被牢固地固定和确定的结构是至关重要的。禁止在加热器上附加更多的重量。

►5.1.内部顶棚安装(图。2-3)

每个链和每个钩悬挂必须承受100公斤的最小重量。固定表面（例如天花板），必须承受200公斤的最小重量。链之间的角度必须是正的幅度足以确保稳定性，以避免摆动危险。

►5.2.墙上内部安装(图。4)

墙面上每个木楔必须支撑至少

200公斤的牵引力。墙壁结构必须支撑在支架上放置加热器的重量。

►5.3.墙上外部安装(图。5)

墙面上每个木楔必须支撑至少200公斤的牵引力。墙壁结构必须支撑在支架上放置加热器的重量。进气管和空气投放的安装必须遵循原有套件（“选配”段落）中所描述的规格。

►►6.连接燃气(图。6)

在安装之前和过程中，认真阅读警告并遵守本使用说明书中包含的建议。

电气电源和连接线的完成必须由一名合格的技术员完成使用核实的装置和工具，按照国家法规的规定和符合现行法律。

加热器的设计用于不同类型的气运行，但提供一个出厂特定的设置（见加热器应用的铭牌数据）。超过不要对铭牌功率数据所指示的最大压力，以避免在加热器严重损害。

燃气调压器应该安装到需要加热应楼外，并且必须确保提供的压力与国家法领和加热器的技术规格一致。控制器的内部安装只能在适当通风的地方。国家法

律会帮助你们确定正确的安装。进行加热器与气体网特别注意连接的类型（螺纹ISO7-1：1994适合锥形螺纹密封或螺纹）（煤气管的大小，它们的位置和它们的锚定是否核实是至关重要的）。在第一此启动期间检查用批准的泄漏检测，由于不正确的拧紧造成任何泄漏或损坏燃气回路。

▶▶7.电源连接

在安装之前和过程中，认真阅读警告并遵守本使用说明书中包含的建议。

电气电源和连接线的完成必须由一名合格的技术员完成使用核实的装置和工具，按照国家法规的规定和符合现行法律。

••重要提示：加热器必须被连接到一个差动控制和断路器合适的系统，在加热器的异常的情况下它保证电力供应中断。核实接地装置的完好连接对于加热器的运行是非常重要的。

建议使用一条 1.5mm^2 的H07类型电线（AWG 16）其长度不超过5 m。确保加热器已经隔离燃气网后，打开电柜（图。7），将

电源线插入电线电缆（图。8）并将电线插入专门的接线端子（图。9）。连接完成后恢复电柜。

▶▶8.转换为另一种气体的类型

在安装之前和过程中，认真阅读警告并遵守本使用说明书中包含的建议。

转换为另一种类型的气体必须有合格的专业技师或授权的服务中心执行，使用适合装置和工具，按照国家法规的规定和符合现行法规制度。

••重要提示：转换的操作必须在闭合和将从加热器与气体网和电网隔绝后进行（图。24）。

在类型气体中标签概括了与该加热器兼容的气体类型。设定气体，在加热器的转换之前，由加热器使用铭牌数据可识别。气体转换完成后，用不可磨灭的方式，使新设置的参数抄到配有中性数据铭牌，然后用到加热上。转换到不同的气体燃料的步骤，总结如下：

►8.1. 移除阀连接管子和喷嘴架，拆卸喷嘴架，除去喷嘴程序:

- 8.1.1. 移除圆盘，拧紧阀侧弹头(图。10)。
- 8.1.2. 移除喷嘴夹固定螺丝 (图。11)。
- 8.1.3. 取出喷嘴支架和气体管部(图。12)。
- 8.1.4. 移除燃气喷嘴(图。13)。
注意: 建议小心保柳所有组件(密封圈，弹头，等)。

►8.2. 喷嘴的选择

选择正确的喷嘴:

- GPL 喷嘴= 直径 5 mm
- G20 喷嘴= 直径 10 mm
- G25 喷嘴= 直径 10 mm

►8.3. 恢复阀连接管子和喷嘴架，恢复喷嘴架，恢复喷嘴程序:

- 8.3.1. 将喷嘴密封固定喷头架，核实需要的转换所选择的喷嘴是否正确(图。13)。
- 8.3.2. 将喷嘴插入燃烧器下管子配有的喷嘴架，在底座上的螺栓(图固定它(图。12-11))。
- 8.3.3. 拧紧接头，拉紧燃气阀弹头(图。10)。
- 8.3.4. 核实连接的密封。
注意: 在使用G20-G25气的情况下，安装减少空气的垫圈(图。14)。这种垫圈只能用于G20-G25类型的气体。

►8.4. 调节从故障气阀输出的压力

注意: 调整的操作必须以迅速而准确进行。

用新的喷嘴组装管后有必要用供给压力正确加热器多功能气阀。必须在加热器运行和连接气体进行压力调整。在开始调整操作之前确定加热器供应与安装喷嘴燃气类型一致。

程序:

- 8.4.1. 确定气阀输出压力的采样点和并卸下螺丝。(图。15)。
- 8.4.2. 连接可曲挠橡胶管，确保完美的密封(图。16)。考虑校准的压力是最小的，使用一个高精度差压计或水柱压力计更好。
- 8.4.3. 移除保护盖(图。17)和找到允许调整燃气阀上的压力旋转螺丝。
- 8.4.4. 准备的特定工具在调节销上转动。
- 8.4.5. 打开加热器和等待预洗的几秒钟。过了这段时间，打开煤气并触发火焰。现在这个准确的时刻需要转动销(图。18)，直到达到所需的输出压力(增加顺时针旋转，逆时针旋转减少)。调节压力之后，建议检查门关闭重复点火循环三次，重新核实燃气阀的输出压力。在完成天然气转换的之前，需要验证接头和气管是否密封。

•8.4.6.气体转换完成后，用不可磨灭的方式，使新设置的参数抄到配有中性数据铭牌，然后用到加热上(图。19)。

▶▶9.燃料的类型

仅用在粘接气类所示等级的燃气别以避免严重损坏加热器。

▶▶10.开启(开启，通风和加热说明)(图。20)

在使用过程中，认真阅读警告并遵守本使用说明书中包含的建议。

第一次启动必须有合格的技术员或由授权的技术服务中心执行。

••重要提示：第一点火前，检查加热器内是否有残留的包装和配件。

••重要提示：在启动之前，核实加热器是否正确安装(连接气连接，输入压力和电气连接是否符合现行法规一致和是否符合铭牌数据所声明)，并没有什么空气回路阻塞。

••重要提示：在第一此启动期间检查用批准的泄漏检测，由于不正确的拧紧造成任何泄漏或损坏燃气回路。

加热器可以通风或加热模式操作。为了启动通风模式，将按钮放在“风扇”位置(图。21)，以这种方式在加热器只启动发动机保持封闭气体回路。如果想开始加热模式，将按钮来凡在“火焰”位置(图。22)。加热器，仅在风扇的驱动之后，以保证燃烧室清洗约30秒，在打开气体电路并启动该火花，引发燃烧。

如果发生了三次以上的点火成功，加热器进入锁定。为了设置加热器件将开启按钮放置“O”位置(图。23)。在异常表中汇总可能的原因初步分析(“故障，原因和解决方法”段落)。

注意：如果发生超过三次开启失败，需要通过检查授权技术服务中心核实原因。

▶▶11.诊断指示灯

在加热器上安装了一个指示灯来监视加热器的运行(图。25)：

•指示灯关闭(正常条件)：这意味着该加热器处于关闭或正常运行。

•指示灯开启连续：意味着该加热器处于锁定。

▶▶12.关闭

如果想关闭额加热模式，将按钮放在“O”位置(图。23)。

注意：当按钮位于“O”位置，加热器关闭，但仍带电。关于维护，清洁或其他需要将加热器与电网完全隔绝。(图。24)。

▶▶13.连接遥控室内温控器

••重要提示：当加热器由遥控房间恒温器控制，当温度下降到低于设定的阈值时。可以在任何时间被重新开启。

要连接遥控温控器去除附着在加热帽，然后连接遥控温控器（选配）（图。26）。

▶▶14.加热器的清洁

••重要提示：如果加热器未断电，禁止进行任何清洗（图。23）和断开电源（图。24）。

用户的唯一可能的清洁操作加热器的外表面。只能用湿布和非磨蚀性清洁加热器外表（不要使用带侵蚀性产品或清洁粉海绵）。清洁后，彻底擦干表面。

注意：如果加热器需要进一步清洗，请联系授权技术服务中心。

▶▶15.停用加热器

如果在一个中-长期使用加热器，拔掉加热器的电源（图。24）保护它免受湿气和灰尘。当加热器被再次使用，检查电线的维护状态；如果你们有关于保存好的疑问，请让授权技术服务中心参与。在任何情况下每年进行加热器年检一次。

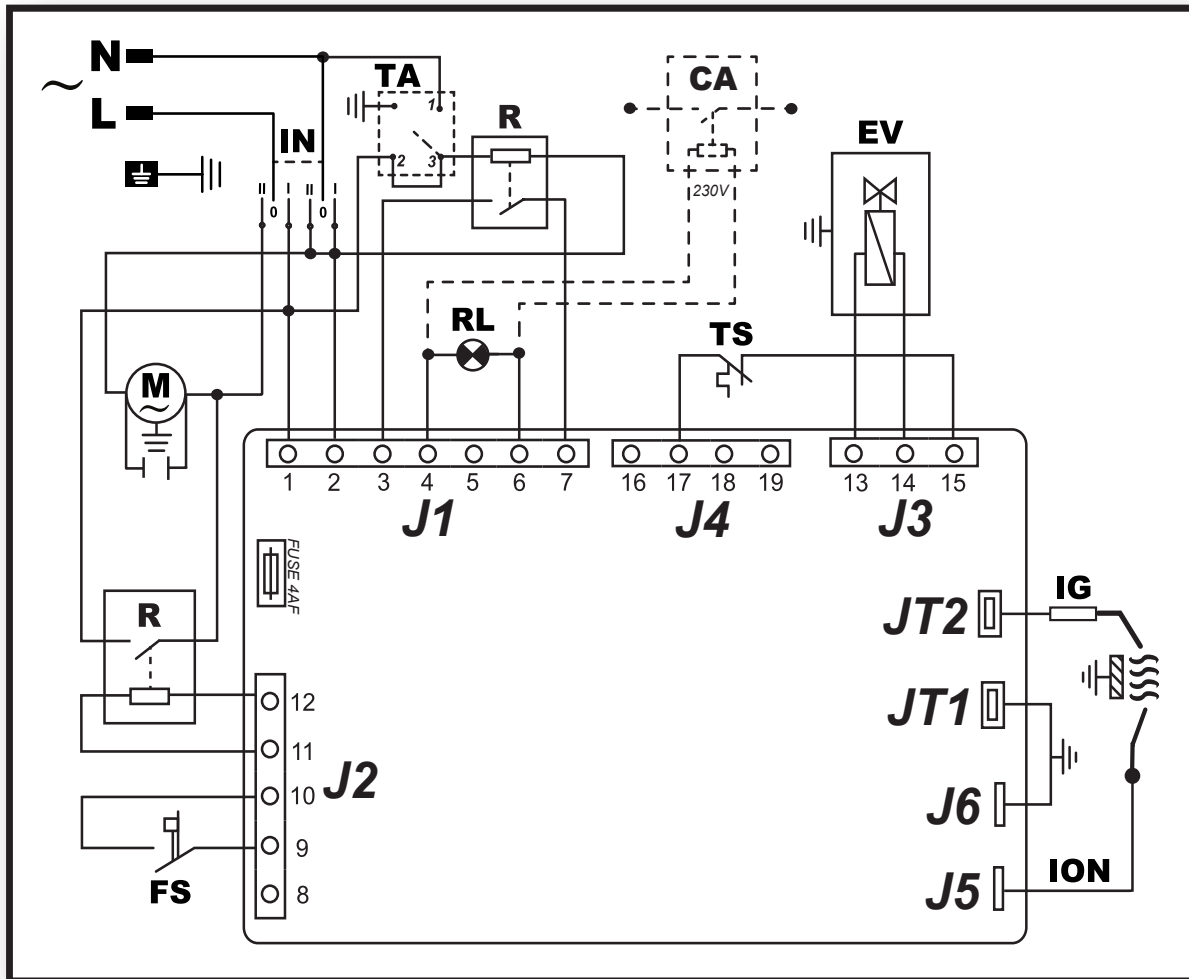
▶▶16.选配

- 外部安装套件（选择外部循环还是新风模式需要根据外部气闸的位置来决定）。
- 遥控房间温控器。
- 出气口扩散器。

►►17.故障, 原因和 解决方法

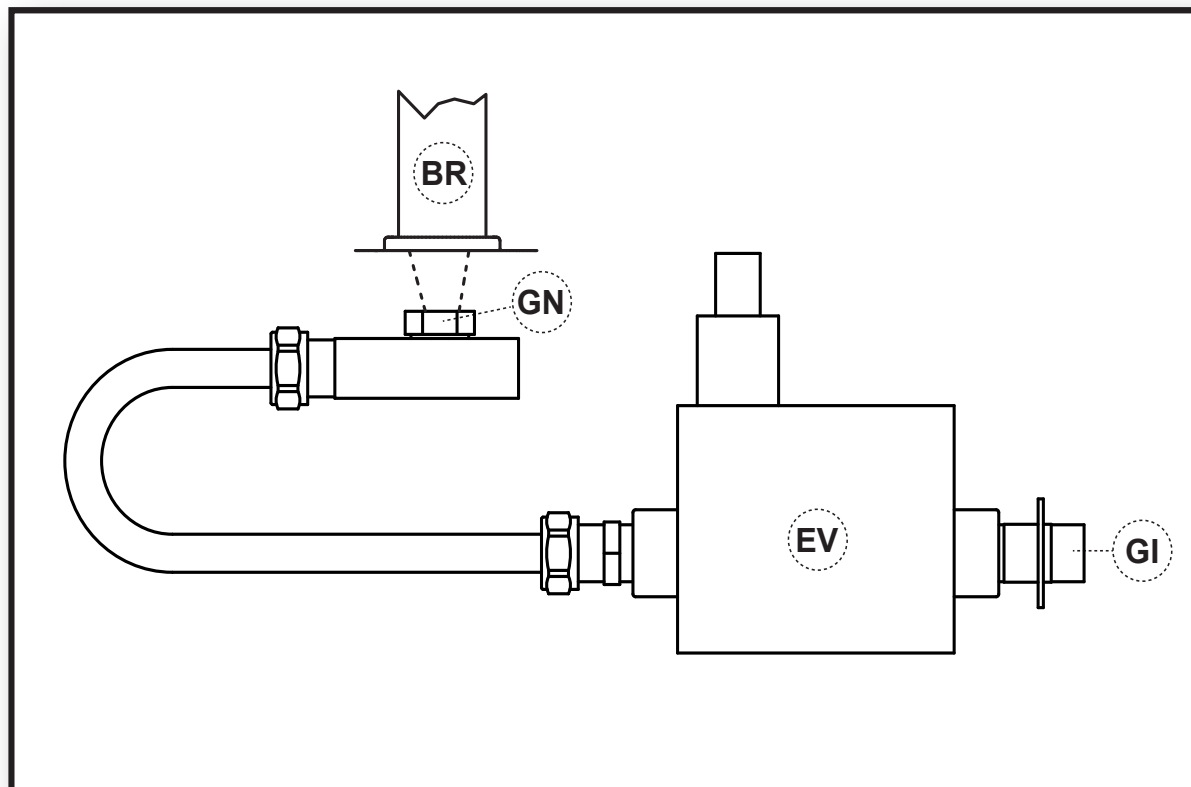
故障	原因	解决方法
加热器部运行	没有电源	1.验证设备网络 2.核实电气连接 3.授权技术服务中心
	室内遥控温控器连接的错误	1.正确连接室内遥控温控器
加热器不加热模式下运行	房间温控器干预 (选配)	1.设置室内恒温器低于环境温度的温度
	室内恒温器的错误连接	1.正确连接室内恒温器
	房间温控器插座盖每插好	1.将盖正确插入插座
	未提供天然气	1.核实燃气设备 2.授权技术服务中心
	加热器锁定	1.通过将打开按钮放到“0”位置恢复加热器 2.授权技术服务中心
	有缺陷的电子设备	1.授权技术服务中心
火焰不能保持点亮	有缺陷的电子设备	1.授权技术服务中心
	加热器校准错误	1.授权技术服务中心
火焰在正常运行中熄灭	房间温控器干预 (选配)	1.设置室内恒温器低于环境温度的温度
	未提供天然气	1.核实燃气设备 2.授权技术服务中心
	没有电源	1.验证设备网络 2.核实电气连接 3.授权技术服务中心
	加热器 过热	1.清洁空气入口 (底侧) 和重置手动安全的恒温器 (图。27) 2.加热器的温度限制使用过高 3.进气温度太高 4.暴露于太阳辐射太高 5.授权技术服务中心

ELECTRIC SYSTEM - IMPIANTO ELETTRICO - ELEKTRISCHE ANLAGE
- INSTALACIÓN ELÉCTRICA - INSTALLATION ELECTRIQUE - ELEKTRISCH
SCHE INSTALLATIE - SISTEMA ELÉTRICO - EL-ANLÆG - SÄHKÖLAITTEISTO - ELEKTRISK ANLEGG - ELANORDNING - INSTALACJA
ELEKTRYCZNA - ЭЛЕКТРОПРОВОДКА - ELEKTRICKÉ ZAŘÍZENÍ - ELEKTROMOS RENDSZER - ELEKTRIČNA NAPELJAVA - ELEKTRİK TESİSATI
- ELEKTRIČNI UREĐAJ - ELEKTROS SISTEMA - ELEKTRISKĀ SISTĒMA
- ELEKTRISÜSTEEM - INSTALAȚIA ELECTRICĂ - ELEKTRICKÉ ZARIADENIE - ЭЛЕКТРИЧЕСКА ИНСТАЛАЦИЯ - ЕЛЕКТРИЧНЕ ОБЛАДНАННЯ -
ELEKTRIČNI UREĐAJ - ΗΛΕΚΤΡΙΚΗ ΕΓΚΑΤΑΣΤΑΣΗ - 电路系统



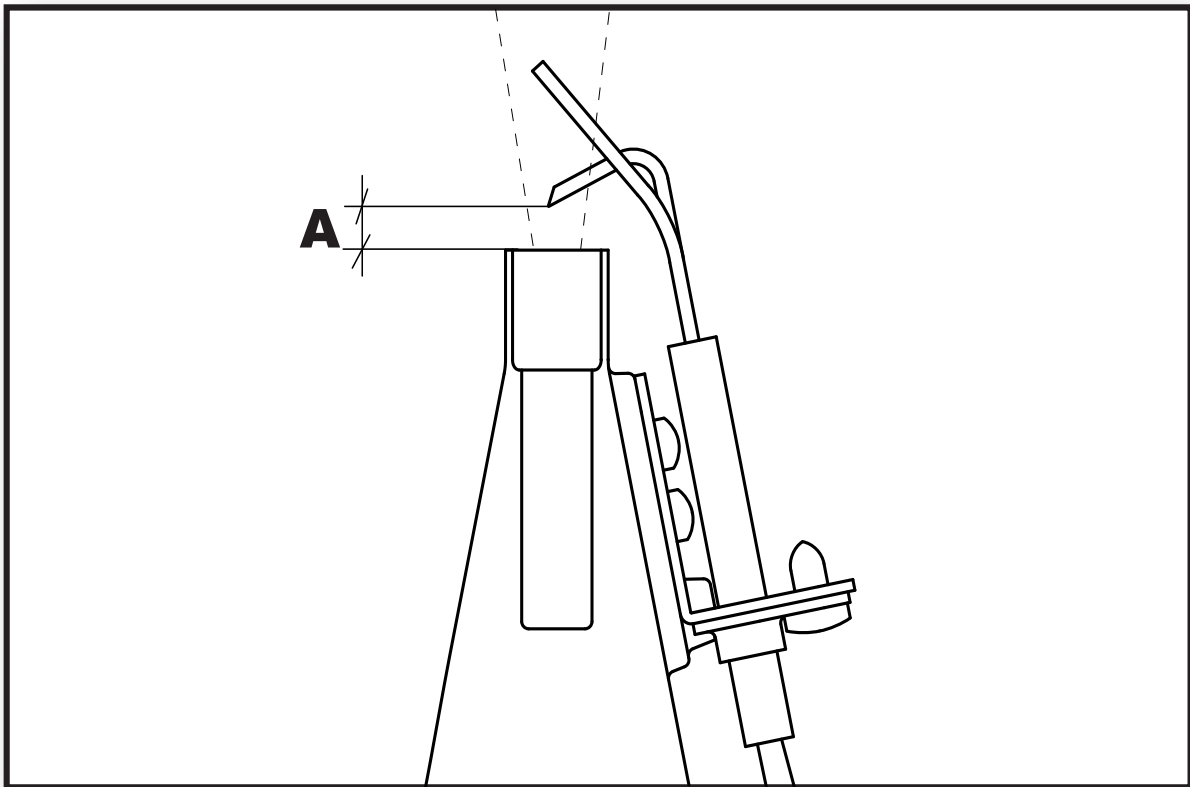
IN	Switch - Interruttore - Schalter - Interruptor - Interrupteur - Schakelaar - Interruptor - Afbryder - Katkaisin - Bryter - Brytare - Włącznik - Включатель - Vyrínač - Kapcsoló - Stikalo - Açma kapama düğmesi - Prekidač - Jungiklis - Slēdzis - Lüliiti - Įttrerupător - Vyrínač - Прекъсвач - Вимикач - Prekidač - Διακόπτης - 开关
M	Motor - Motore - Motor - Motor - Moteur - Motor - Motor - Motor - Moottori - Motor - Motor - Silnik - Двигатель - Motor - Motor - Motor - Motor - Motor - Motor - Variklis - Dzinējs - Mootor - Motor - Motor - Двигател - Двигун - Motor - Κινητήρας - 电机
EV	Solenoid valve - Elettrovalvola - Elektroventil - Electroválvula - Électrovalve - Elektroklep - Eletroválvula - Magnetventil - Solenoidiventtiili - Magnetventil - Magnetventil - Zawór elektromagnetyczny - Соленоид - Elektrický ventil - Mágnesszelep - Elektromagnetni ventil - Elektrovalf - Električni ventil - Elektrinis vožtuvas - Elektrovrāsts - Solenoidventiil - Electrovalvă - Elektrický ventil - Електроклапан - Електроклапан - Električni ventil - Ηλεκτροβαλβίδα - 电磁阀
IG	Igniter - Accenditore - Anzünder - Encendedor - Allumeur - Ontsteker - Acendedor - Tænder - Sytytin - Tenner - Tändare - Zapalnik - Зажигатель - Zapalovač - Begyújtó kacsoló - Vžigalo - Ateşleyici - Uraljač - Uždegiklis - Uguns slēdzis - Süütur - Aprinzător - Zapalovač - Запалване - П'єзоелектричний - Uraljač - Έναυσμα - 点火器
R	Relay - Relè - Relais - Relé - Relais - Relais - Relé - Relæ - Rele - Relè - Relä - Przekaznik - Пеле - Relé - Relé - Relè - Röle - Relej - Relé - Relejs - Relee - Releu - Relé - Пеле - Пеле - Relej - Ρελέ - 继电器
TS	Safety thermostat - Termostato sicurezza - Sicherheitsthermostat - Termostato de seguridad - Thermostat de sécurité - Veiligheidsthermostaat - Termóstato de segurança - Sikkerhedstermostat - Turvatermostaatti - Sikkerhetstermostat - Säkerhetstermostat - Termostat bezpieczeństwa - Термостат безопасности - Bezpečnostní termostat - Biztonsági termosztát - Varnostni termostat - Emniyet termostatı - Sigurnosni termostat - Apsaugos termostatas - Drošības termostats - Ohutustermostaat - Termostat de siguranță - Bezpečnostný termostat - Предпазен термостат - Запобіжний термостат - Sigurnosni termostat - Θερμοστάτης ασφαλείας - 过热保护
RL	LED - Led - LED - Led - Led - Led - Led - Led - Lys - Led - Valo - Led - Led - LED - Жидкокристаллический индикатор ЖК - Led - Led - LED lučka - Led ışığı - Ind.svjetlo - Šviesos diodas - Led - Led - Led - Led - Индикатор - Контрольный датчик - Led - Led - LED
CA	Contact alarm - Contatto allarme - Contact alarme - Styk alarmowy - Контакт индикации ошибки - 接触报警
TA	Room thermostat - Termostato ambiente - Raumthermostat - Termostato ambiente - Thermostat d'ambiance - Omgevingsthermostaat - Termóstato ambiente - Rumtermostat - Huonetermostaatti - Romtermostat - Rumstermostat - Termostat pokojowy - Комнатный термостат - Termostat prostředí - Szobatermosztát - Sobni termostat - Oda termostatı - Ambijentalni termostat - Aplinkos termostatas - Vides termostats - Ümbritseva keskkonna termostaat - Termostat ambiental - Termostat prostredia - Ресет - Термостат температури зовнішнього середовища - Ambijentalni termostat - Θερμοστάτης περιβάλλοντος - 温控器
FS	Flow switch - Interruttore di flusso - Durchfluss-schalter - Interruptor de flujo - Interrupteur de débit - Stromingsschakelaar - Interruptor de fluxo - Flowafbryder - Virtauskytkin - Strømningsbryter - Flödesbrytare - Wyłącznik przepływu - Пеле потока - Průtokový spínač - Áramláskapcsoló - Pretočno stikalo - Akiş şalteri - Prekidač protoka - Srauto jungiklis - Plūsmas slēdzis - Veevoolu lüliiti - Įttrerupător de flux - Prietokový spínač - Затвор - Переривач струму - Prekidač protoka - Διακοπτης ροης - 流量开关
ION	Ionizzazione - Ionization - Ionisierung - Ionización - Ionisation - Ionisatie - Ionização - Ionisering - Ionisaatio - Ionisering - Jonisation - Jonizacja - Ионизация - Ionizace - Ionizáció - Ionizacija - İyonlaşma - Ionizacija - Jonizavimas - Jonizācija - Ioniseerimine - Ionizare - Ionizácia - Йонизация - Ионизация - Ionizacija - Ιονισμός - 电离
L	Line - Linea - Leitung - Línea - Ligne - Lijn - Linha - Linje - Linja - Linje - Linje - Przewód fazowy - Линия - Linka - Sor - Linija - Hat - Linija - Linija - Līnija - Liin - Linie - Linka - Линия - Фаза - Linija - Γραμμή - 线
N	Neutral - Neutro - Nullleiter - Neutro - Neutre - Neutraal - Neutro - Neutral - Neutraali - Nøytral - Noll - Przewód nautralny - Нейтраль - Neutrální - Semleges - Nevtralni vod - Nötr - Neutralna - Neutralus - Neitrāls - Neutraal - Nul - Neutrál - Нейтрално - Нейтраль - Neutralna - Ουδέτερο - 零线

**GAS PLANT - IMPIANTO GAS - GASANLAGE - INSTALACIÓN DE GAS -
SYSTÈME À GAZ - GASINSTALLATIE - SISTEMA DO GÁS - GAS-ANLÆG
- KAASULAITTEISTO - GASSANLEGG - GASANORDNING - INSTALACJA
GAZOWA - ГАЗОВАЯ СИСТЕМА - PLYNOVÉ ZAŘÍZENÍ - GÁZ HÁLÓZAT
- PLINSKI SISTEM - GAZ TESİSATI - UREĐAJ NA PLIN - DUJU SISTEMA
- GĀZES SISTĒMA - GAASISÜSTEEM - INSTALAȚIA DE GAZ - PLYNOVÉ
ZARIADENIE - ГАЗОВА ИНСТАЛАЦІЯ - ГАЗОВЕ ОБЛАДНАННЯ -
PLINSKI/GASNI UREĐAJ - ΕΓΚΑΤΑΣΤΑΣΗ ΦΥΣΙΚΟΥ ΑΕΡΙΟΥ - 供气图**



GI	Gas inlet fitting - Raccordo entrata gas - Anschluss Gaszufuhr - Racor de entrada del gas - Raccord entrée gaz - Koppeling gasingang - Ligação da entrada de gás - Gastilførselssamling - Kaasun sisäänmenoliitos - Kobling gassinløp - Kopplingsrør gasinløp - Wlot gazu złączka - Вход газа ниппель - Spoj přívod plynu - Bemenő oldali gázcsanak - Vhodni priključek za plin - Gaz giriş rakoru - Spojnica ulaza za plin - Dujų įleidimo jungtis - Gāzes ieejas savienojums - Gaasi sissevooluliitmik - Racord intrare gaz - Spoj prívod plynu - Съединение подаване газ - Патрубок подачі газу - Plinska/gasna ulazna spojka - Σύνδεση εισόδου φυσικού αερίου - 进气套件
EV	Solenoid valve - Elettrovalvola - Elektroventil - Electroválvula - Électrovalve - Elektroklep - Eletroválvula - Magnetventil - Solenoidventtiili - Magnetventil - Magnetventil - Zawór elektromagnetyczny - Соленоид - Elektrický ventil - Mágnesszelep - Elektromagnetni ventil - Elektrovalf - Električni ventil - Elektrinis vožtuvas - Elektrovārsts - Solenoidventiil - Electrovalvă - Elektrický ventil - Електроклапан - Электроклапан - Električni ventil - Ηλεκτροβαλβίδα - 电磁阀
GN	Gas nozzle - Ugello gas - Gasdüse - Tobera de gas - Gicleur gaz - Gasstraalpijp - Bico ejetor de gás - Gasdyse - Kaasusuutin - Gassdyse - Gasmunstycke - Dysza gazu - Сопло газа - Plynová tryska - Gáz fúvóka - Plinska šoba - Gaz nozulu - Mlaznica plina - Dujų purkštukas - Gāzes izplūdes caurums - Gaasidüüs - Duză gaz - Plynová tryska - Дюза за газ - Газова форсунка - Mlaznica plina/gasa - Ακροφύσιο φυσικού αερίου - 进气口
BR	Burner - Bruciatore - Brenner - Quemador - Bruleur - Brander - Queimador - Brænder - Poltin - Brenner - Brännare - Palnik - Горелка - Hořák - Égő - Gorilnik - Brülör - Plamenik - Degiklis - Deglis - Põleti - Arzător - Horák - Горелка - Пальник - Gorionik - Καυστήρας - 燃烧器

ELECTRODES REGULATION - REGOLAZIONE ELETTRODI - REGULIERUNG DER ELEKTRODEN - REGULACIÓN DE LOS ELECTRODOS - REGULATION DES ELECTRODES - AFSTELLING ELEKTRODEN - REGULAÇÃO DE ELÉTRODOS - REGULERING AF ELEKTRODER - ELEKTRODIEN SÄÄTÖ - REGULERING AV ELEKTRODER - ELEKTRODREGLERING - REGULACJA ELEKTROD - РЕГУЛЯЦИЯ ЭЛЕКТРОДОВ - NASTAVENÍ ELEKTROD - AZ ELEKTÓDÁK BEÁLLÍTÁSA - NASTAVITEV ELEKTROD - ELEKTROT AYARI - REGULIRANJE ELEKTRODA - ELEKTRODU REGULIAVIMAS - ELEKTRODU REGULĚŠANA - ELEKTROODIDE REGULEERIMINE - REGLAREA ELECTROZILOR - NASTAVENIE ELEKTÓD - РЕГУЛІРАНЕ ЕЛЕКТРОДИ - РЕГУЛЮВАННЯ ЕЛЕКТРОДОВ - KONTROLA ELEKTRODE - ΡΥΘΜΙΣΗ ΗΛΕΚΤΡΟΔΙΩΝ - 电极规定



A= 6 mm-мм

CE CONFORMITY CERTIFICATE

CE CONFORMITY CERTIFICATE - DICHIARAZIONE DI CONFORMITÀ CE - EG-KONFORMITÄT-SERKLÄRUNG - DECLARACIÓN DE CONFORMIDAD CE - DECLARATION DE CONFORMITE CE - EG-CONFORMITEITVERKLARING - DECLARAÇÃO DE CONFORMIDADE CE - EU-OVERENSSTEMMELSESERKLÆRING - EY-VAATIMUSTENMUKAISUUSVAKUUTUS - CE-SAMSVAR-SERKLÆRING - EG-FÖRSÄKRAN OM ÖVERENSSTÄMMELSE - DEKLARACJA ZGODNOŚCI WE - ДЕКЛАРАЦИЯ О СООТВЕТСТВИИ CE - PROHLÁŠENÍ O SHODĚ CE - EK MEGFELELŐSÉGI NYILATKOZAT - IZJAVA O SKLADNOSTI IN OZNAKA CE - CE UYGUNLUK BEYANI - IZJAVA CE O SUKLADNOSTI - ES ATITIKTIES DEKLARACIJA - EK ATBILSTĪBAS - DEKLARĀCIJA - EÜ VASTAVUSDEKLARATSIOON - DECLARAȚIE DE CONFORMITATE CE - PREHLÁSENIE O ZHODE CE - ДЕКЛАРАЦИЯ ЗА СЪВМЕСТИМОСТ CE - ДЕКЛАРАЦИЯ ВІДПОВІДНОСТІ CE - IZJAVA CE O PRIKLADNOSTI ΔΗΛΩΣΗ ΣΥΜΜΟΡΦΩΣΗΣ CE - CE 符合性声明

DANTHERM S.p.A. Via Gardesana 11, -37010- Pastrengo (VR), ITALY

Product: - Prodotto: - Produkt: - Producto: - Produit: - Product: - Produto: - Produkt: - Tuote: - Produkt: - Produkt: - Produkt: - Изделие: - Výrobek: - Termék: - Izdelek: - Ürün: - Proizvod: - Gaminys: - Ierīce: - Toode: - Produsul: - Výrobok: - Продукт: - Виріб: - Proizvod: - Προϊόν: - 产品:

CF 75

We declare that it is compliant with: - Si dichiara che è conforme a: - Es wird als konform mit den folgenden Normen erklärt: - Se declara que está en conformidad con: - Nous déclarons sa conformité à: - Hierbij wordt verklaard dat het product conform is met: - Declara-se que está em conformidade com: - Vi erklærer at produktet er i overensstemmelse med: - Vakuutetaan olevan yhdenmukainen: - Man erklærer at apparatet er i overensstemmelse med: - Härmed intygas det att produkten är förenlig med följande: - Oświadczam, że jest zgodny z: - Заявляем о соответствии требованиям: - Prohlašuje se, že je v souladu s: - Kijelentjük, hogy a termék megfelel az alábbiaknak: - Izpolnjuje zahteve: - Aşağıdaki standartlara uygun olduğunu beyan ederiz: - Izjavljuje se da je u skladu s: - Pareiškiame, kad atitinka: - Tiek deklarēts, ka atbilst: - Käesolevaga deklareeritakse, et toode vastab: - Declarăm că este conform următoarelor: - Prehlasuje sa, že je v súlade s: - Декларира се че отговаря на: - Відповідає вимогам: - Izjavljuje se da je u skladu s: - Δηλώνουμε ότι είναι σύμφωνο με: - 兹证明符合:

2014/30/EU, 2014/35/EU, 2016/426/EU

EN 62233:2008, EN 61000-3-2:2014, EN 61000-3-3:2013, EN 55014-1:2006/A2:2011, EN 55014-2:2015, EN 60335-1:2012/A11:2014, EN 60335-2-102:2016, EN 525:2009

The notified body performed the type testing and issued the certificate: - L'organismo autorizzato ha svolto il test relativo al tipo e ha emesso il certificato: - Die notifizierte stelle führte die baumusterprüfung aus und stellte die bescheinigung aus: - El organismo notificado que ha realizado la prueba de tipo y ha expedido el certificado: - L'organisme notifié a effectué le test de type et a délivré le certificat: - De aangemelde instantie heeft het type testen uitgevoerd en het volgende certificaat afgegeven: - A entidade notificada realizou o teste de tipo e emitiu o certificado: - Det bemyndigede organ har udført typeafprøvningen og udstedt certifikatet: - Jednostka notyfikowana wykonała badanie typu i wydała certyfikat:

**DVGW CERT GmbH (CE-0085), Josef-Wirmer-Strasse 1-3, DE-53123 Bonn
2016/426/EU (21/04/2018<CE-0085BM0132<07/12/2027)**

Pastrengo, 2019

Stefano Verani (Member of the Board)

► en - LIMITED WARRANTY AND AFTER-SALES SERVICE

KEEP THIS LIMITED WARRANTY

During the period of twelve (12) months starting from the date of purchase of this product, the manufacturer guarantees that the appliance, all of its parts, do not have flaws due to manufacturing or the materials used, as long as the appliance has been used following the instructions and maintenance indicated in the manual. This warranty is only valid for the original purchaser of the appliance, which must present the purchase invoice. This warranty only includes the cost of the parts necessary to return the appliance to its normal functioning state. Therefore, costs relative to transport or other material associated with the parts covered by this warranty are excluded. The faults produced by incorrect use, manipulation, negligence, insufficient maintenance, alterations, modifications, normal wear of the product are not covered by this warranty, as also the use of non-compliant fuel, repairs using non-original spare parts or repairs performed by staff not working for the dealer or the authorised technical after-sales service. Routine maintenance is the owner's responsibility. The manufacturer does not guarantee, nor is directly or indirectly responsible, for any other warranty including that of a commercial nature or for appropriation for a particular use. In no case is the manufacturer liable for direct, indirect, accidental or consequent damage, deriving from use of the appliance. The manufacturer reserves the right to modify this warranty at any time and without forewarning. This is the only valid warranty. The manufacturer does not assume any expressed or implicit warranty.

► it - GARANZIA LIMITATA E SERVIZIO ASSISTENZA SERVICE

CONSERVARE LA PRESENTE GARANZIA LIMITATA

Durante il periodo di dodici (12) mesi a partire dalla data di acquisto di questo prodotto, il costruttore garantisce che l'apparecchio, come ogni sua parte, non presenta difetti dovuti alla fabbricazione o ai materiali utilizzati, sempre che lo stesso sia stato usato seguendo le istruzioni di funzionamento e mantenimento indicate nel manuale. La presente garanzia si estende unicamente al compratore originale dell'apparecchio, il quale dovrà presentare la fattura di acquisto. La presente garanzia include solo il costo delle parti necessarie per restituire l'apparecchio nel suo stato normale di funzionamento. Restano pertanto esclusi i costi relativi ai trasporti o altro materiale associato con le parti coperte dalla presente garanzia. Sono escluse dalla copertura di garanzia, le avarie prodotte da errato uso, manipolazioni, negligenza, manutenzione insufficiente, alterazioni, modificazioni, normale usura del prodotto, così anche per l'uso di combustibile non conforme, riparazioni con ricambi inadeguati o per riparazioni fatte da personale differente dal distributore o dal servizio tecnico autorizzato. La normale manutenzione è a carico del proprietario. Il costruttore non garantisce, né si fa carico diretto o indiretto, di nessuna altra garanzia inclusa quella di carattere commerciale o per l'appropriazione per una particolare utilizzazione. In nessun caso il costruttore sarà responsabile per i danni diretti, indiretti, accidentali o conseguenti, derivanti dall'uso dell'apparecchio. Il costruttore si riserva il diritto di modificare in qualsiasi momento e senza preavviso la presente garanzia. L'unica garanzia valida è la presente scrittura, il costruttore non assume nessuna garanzia espressa o implicita.

► de - BESCHRÄNKTE GARANTIE UND KUNDENDIENST

VORLIEGENDE BESCHRÄNKTE GARANTIE GUT AUFBEWAHREN

Während der Garantie von zwölf (12) Monaten, ab Kaufdatum dieses Produkts, garantiert die Herstellerfirma, dass das Gerät und seine Bauteile keine Defekte verursacht durch Herstellung oder aufgrund verwendeter Materialien aufweist. Voraussetzung hierfür ist die Befolgung der im Handbuch angegebenen Betriebs- und Wartungsanleitungen. Die vorliegende Garantie gilt ausschließlich für die ursprünglichen KäuferInnen des Geräts. Hierfür muss die Rechnung vorgelegt werden. Eingeschlossen von der vorliegenden Garantie sind nur die Kosten für die Bauteile, welche notwendig sind, damit das Gerät seinen ordnungsgemäßen Betrieb wieder aufnehmen kann. Ausgeschlossen von der Garantie sind Transportkosten oder Kosten für Materialien, welche an die von der Garantie abgedeckten Bauteile gebunden sind. Ausgeschlossen von der Garantie sind Schäden die durch falschen Gebrauch, nicht autorisierte Eingriffe und Veränderungen, Vernachlässigung sowie unzureichende Wartung, Modifizierungen und die normale Abnutzung des Produkts verursacht werden. Gleichermaßen ausgeschlossen sind Schäden, die durch die Verwendung von nicht geeigneten Brennstoffen sowie Reparaturen mit Verwendung ungeeigneter Ersatzteile oder durchgeführt von Personen, die nicht zur Herstellungsfirma oder autorisierten Kundendiensten gehören. Die normale Wartung liegt in der Verantwortung der BesitzerInnen. Die Herstellerfirma gibt keine weitere direkte oder indirekte Garantie bezüglich des Vertriebs oder des Einsatzes für eine spezielle Verwendung des Geräts. In keinem Fall übernimmt die Herstellerfirma die Verantwortung für direkte oder indirekte Schäden, Unfälle oder Folgen, die durch den Gebrauch des Gerätes entstehen können. Die Herstellerfirma behält sich das Recht vor zu jeder Zeit und ohne Vorankündigung die vorliegende Garantie ändern zu können. Das vorliegende Schriftstück ist die einzig gültige Garantie und die Herstellerfirma übernimmt keine weitere ausdrückliche oder implizierte Garantie.

► es - GARANTÍA LIMITADA Y SERVICIO DE ASISTENCIA SERVICE

CONSERVE LA PRESENTE GARANTÍA LIMITADA

Durante el período de doce (12) meses a partir de la fecha de compra de este producto, el fabricante garantiza que el equipo, y todas sus partes, no presentan defectos debidos a la fabricación o a los materiales empleados, siempre que el mismo se use en el respeto de las instrucciones de funcionamiento y mantenimiento indicadas en el manual. Esta garantía se extiende solo al comprador original del equipo, el cual debe presentar la factura de compra. La presente garantía incluye solo el coste de las partes necesarias para que el equipo vuelva a funcionar normalmente. Por lo tanto se excluyen los costes relativos a los transportes o a otro material asociado con las partes cubiertas por la garantía. La garantía no cubre las averías producidas

por el uso incorrecto, las manipulaciones, la negligencia, el mantenimiento insuficiente, las alteraciones, las modificaciones, el desgaste normal del producto, el uso de un combustible no conforme, las reparaciones con recambios inadecuados o las reparaciones hechas por personal diferente del distribuidor o del servicio técnico autorizado. El mantenimiento ordinario es a cargo del propietario. El fabricante no garantiza, ni se hace cargo directo o indirecto de ninguna otra garantía incluyendo la de carácter comercial o por la apropiación de un uso particular. El fabricante no es responsable por ninguna razón de los daños directos, indirectos, accidentales o consiguientes, debidos al uso del equipo. El fabricante se reserva el derecho de modificar la presente garantía en cualquier momento y sin previo aviso. La única garantía válida es la presente escritura, el fabricante no asume ninguna garantía expresa o implícita.

► fr - GARANTIE ET SERVICE APRES-VENTE
CONSERVER CETTE GARANTIE LIMITÉE

Pendant une durée de douze (12) mois à partir de la date de l'achat de ce produit, le constructeur garantit que l'appareil, comme tout élément qui le compose, sont exempts de vices de matière et défauts de main d'œuvre, à condition que l'appareil fonctionne et soit entretenu conformément aux instructions de fonctionnement et de maintenance illustrées dans ce manuel. Cette garantie s'étend uniquement au premier acheteur de l'appareil, qui devra présenter la facture d'achat. La présente garantie inclut seulement le coût des parties nécessaires pour restituer l'appareil dans son normal état de fonctionnement. Sont exclus donc le coût relatif au transport ou autre matériel associé avec des parties couvertes par la présente garantie. Cette garantie ne couvre pas les défauts qui résultent d'une utilisation abusive, de mauvais traitement, de négligences, d'accidents, d'absence d'entretien correct, ni l'usure normale, la modification, l'altération, l'utilisation de combustible non conforme, les réparations à l'aide de pièce inadéquate ou les réparations par une autre personne que le revendeur ou le service après vente autorisé. L'entretien normal s'opère sous la responsabilité du propriétaire. Le constructeur ne garantit pas ni prend en charge directement ou indirectement de tout autre garantie incluse la garantie commerciale ou d'appropriation pour une utilisation particulière. Le constructeur ne prend aucune responsabilité pour les dommages directs, indirect, incidents ou conséquents, qui dérivent de l'utilisation de l'appareil. Le constructeur se réserve le droit de modifier les présentes spécifications à tout moment quelconque sans préavis. La seule garantie applicable est cette garantie écrite. Le constructeur ne fait aucune garantie expresse ou implicite.

► nl - BEPERKTE GARANTIE EN TECHNISCHE DIENST
ONDERHAVIGE BEPERKTE GARANTIE MOET WORDEN BEWAARD

Gedurende een periode van twaalf (12) maanden vanaf de datum van aankoop van dit product garandeert de constructeur dat het toestel evenals elk onderdeel ervan geen defecten vertoont te wijten aan fabricatiefouten of aan de gebruikte materialen, zolang het toestel gebruikt wordt volgens de instructies voor werking en onderhoud die in de handleiding worden gegeven. Deze garantie heeft enkel betrekking op de oorspronkelijke koper van het toestel, die de aankoopfactuur moet kunnen voorleggen. Deze garantie omvat enkel de kosten voor de onderdelen die nodig zijn om het toestel weer in zijn normale werkingsstatus te herstellen. De kosten met betrekking tot transport of ander materiaal dat betrekking heeft op de onderdelen die door deze garantie gedekt zijn, blijven van deze garantie uitgesloten. De schade die voortvloeit uit een foutief gebruik, forceren, veronachtzaming, onvoldoende onderhoud, aanpassingen, wijzigingen, en normale slijtage van het product zijn niet door de garantie gedekt, evenals schade door gebruik van brandstof die niet conform is, reparaties met ongeschikte wisselstukken of wegens reparaties uitgevoerd door ander personeel dan die van de verdeler of van de bevoegde technische dienst. Het gewone onderhoud is voor rekening van de eigenaar. De constructeur garandeert geen enkele andere garantie, en neemt die ook niet rechtstreeks of onrechtstreeks op zich, met inbegrip van commerciële garantie of voor de aanpassing voor een specifieke toepassing. De constructeur is in geen enkel geval verantwoordelijk voor rechtstreekse, onrechtstreekse, onopzettelijke of andere schade die voortvloeit uit het gebruik van het toestel. De constructeur behoudt zich het recht voor om op elk ogenblik en zonder vooraf te verwittigen deze garantie te wijzigen. De enige geldige garantie is dit geschreven document, de constructeur verzekert geen enkele speciale of impliciete garantie.

► pt - GARANTIA LIMITADA E SERVIÇO DE ASSISTÊNCIA SERVIÇO
CONSERVAR A PRESENTE GARANTIA LIMITADA

Durante o período de doze (12) meses a partir da data de aquisição deste produto, o fabricante garante que o aparelho, como suas partes, não apresenta defeitos devidos à fabricação ou materiais utilizados, desde que seja utilizado segundo as instruções de funcionamento e manutenção indicadas no manual. A presente garantia estende-se unicamente ao comprador original do aparelho, que deve apresentar a fatura de compra. A presente garantia inclui somente o custo das partes necessárias para restituir o aparelho em seu estado normal de funcionamento. Portanto, estão excluídos os custos referentes ao transporte ou outro material associado com as partes cobertas pela presente garantia. Estão excluídas da garantia as avarias produzidas por uso errado, manipulações, negligência, manutenção insuficiente, alterações, modificações, desgaste normal do produto, assim como para o uso de combustível não em conformidade, consertos com peças inadequadas ou por consertos feitos por pessoas que não sejam o distribuidor ou o serviço técnico autorizado. A normal manutenção é por conta do proprietário. O fabricante não garante, e não se responsabiliza direta ou indiretamente, por outras garantias, inclusive a de caráter comercial, ou por usos diversos. De modo algum o fabricante é responsável por danos diretos, indiretos, acidentais ou consequências devido ao uso do aparelho. O fabricante reserva-se o direito de efetuar modificações na presente garantia a qualquer momento e sem prévio aviso. Este documento representa a única garantia válida e o fabricante não assume nenhuma garantia expressa ou implícita.

► da - BEGRÆNSET GARANTI OG ASSISTANCESERVICE

GEM DENNE BEGRÆNSEDE GARANTI

I en periode på tolv (12) måneder fra købsdatoen garanterer fabrikanten, at apparatet og alle dets dele er fri for defekter i udførsel og materiale, forudsat at apparatet har været anvendt i overensstemmelse med manualens drifts- og vedligeholdelsesinstrukser. Denne garanti gælder udelukkende for den oprindelige køber, der skal fremvise købsfaktura. Garantien omfatter kun udgifter til de reservedele, der er nødvendige for at bringe apparatet tilbage i normal driftstilstand. Fragtomkostninger og andet materiale forbundet med delene, der dækkes af denne garanti, er derfor ikke inkluderet. Garantien dækker ikke fejl, der skyldes forkert brug, misbrug, uagtsomhed, utilstrækkelig vedligeholdelse, ændringer, normalt slid samt anvendelse af ikke-egnet brændstof, reparationer udført med uegnede reservedele eller reparationer foretaget af andre end forhandlerens eller teknisk assistances personale. Den almindelige vedligeholdelse skal afholdes af ejeren. Fabrikanten garanterer eller påtager sig ikke direkte eller indirekte nogen anden garanti, herunder garantier for salgbarhed eller for egnethed til et bestemt formål. Fabrikanten kan under ingen omstændigheder holdes ansvarlig for direkte, indirekte, utilsigtede skader eller skader som følge af brug af apparatet. Fabrikanten forbeholder sig ret til at ændre nærværende garanti på et hvilket som helst tidspunkt og uden forudgående varsel. Kun den nærværende garanti er gyldig, fabrikanten påtager sig ingen udtrykkelige eller underforståede garantier.

► fi - RAJOITETTU TAKUU JA HUOLTOPALVELU

SÄILYTÄ TÄMÄ RAJOITETTU TAKUU

Valmistaja takaa kahdentoista (12) kuukauden ajalle tämän tuotteen hankintapäivästä lähtien, että laitteessa ja kaikissa siihen kuuluvissa osissa ei esiinny valmistukseen tai käyttöön materiaaleihin liittyviä vikoja jos sitä on käytetty käyttöoppaassa annettujen käyttö- ja huolto-ohjeiden mukaisesti. Tämä takuu annetaan yksinomaan alkuperäiselle laitteen hankkijalle, jonka todistuksena on oltava ostokuitti. Tämän takuun piiriin kuuluu vain tarvittavien osien hinta, jotta laitteen normaali toiminta saataisiin palautettua ennalleen. Toimitukseen tai muihin materiaaleihin liittyvät kustannukset eivät näin ollen kuulu tämän takuun piiriin. Takuun piiriin eivät kuulu tuotteen väärästä käytöstä, peukaloinnista, huolimattomuudesta, riittämättömästä huollosta, vaihdoista, muutoksista, tuotteen normaalista käytöstä kuten myös ei-yhdenmukaisen polttoaineen käytöstä, väärin tehdyistä korjaustoimenpiteistä tai muiden kuin jälleenmyyjän osoittamien huoltohenkilöiden tai valtuutetun teknisen huollon suorittamista korjaustoimenpiteistä aiheutuvat viat. Säännöllinen huolto kuuluu valmistajan tehtäväksi. Valmistaja ei takaa eikä vastaa suoraan tai epäsuoraan mistään muusta takuusta mukaan lukien kaupallinen takuu tai sen haltuunotto erityistä käyttöä varten. Missään tapauksessa valmistaja ei ole vastuussa suorista, epäsuorista, vahingossa syntyvistä tai laitteen käytöstä johtuvista vahingoista. Valmistaja pidättää oikeuden muuttaa tätä takuuta milloin tahansa ilman erillistä ilmoitusta. Kyseinen takuu on ainoa voimassa oleva. Valmistaja ei anna mitään nimenomaista tai viitteellistä takuuta.

► no - BEGRENSET GARANTI OG ETTERSALGSSERVICE

TA VARE PÅ DENNE GARANTIEN

I løpet av tolv (12) måneder fra salgsdatoen til dette produktet, garanterer produsenten at apparatet, og alle dens deler, ikke har feil på grunn av produksjon eller materialer som brukes, så lenge apparatet har vært brukt ved å følge instruksjonene for drift og vedlikehold angitt i manualen. Denne garantien er kun gyldig for den første kjøperen av apparatet som også må presentere fakturaen. Denne garantien omfatter kun kostnaden av de delene som er nødvendig for å sette apparatet tilbake i normal driftsstatus. Derfor er kostnader som gjelder transport eller annet materiale til de delene som dekkes av garantien utelatt. Feil som oppstår på grunn av feil bruk, manipulering, uaktsomhet, utilstrekkelig vedlikehold, endringer og normal slitasje av produktet omfattes ikke av denne garantien. Dette gjelder også ved bruk av feil brennstoff, reparasjoner som utføres med uegnede reservedeler eller reparasjoner som utføres av uautoriserte personer. Normalt vedlikehold er eierens ansvar. Produsenten garanterer ikke, og påtar seg heller ikke direkte eller indirekte ansvar for andre garantier, inkludert kommersielle garantier eller for tilegnelse for en bestemt bruk. Ikke i noe tilfelle er produsenten ansvarlig for direkte, indirekte, tilfældige eller påfølgende skader, som stammer fra bruk av apparatet. Produsenten forbeholder seg retten til å endre denne garantien når som helst og uten forvarsel. Dette er den eneste gyldige garantien. Produsenten påtar seg ikke noe uttrykt eller underforstått garanti.

► sv - BEGRÄNSAD GARANTI OCH SUPPORT SERVICE

FÖRVARA DEN BEGRÄNSADE GARANTISEDELN

Under en tidsperiod om tolv (12) år från och med inköpsdatumet för produkten garanterar tillverkaren att apparaten och samtliga av dess delar inte uppvisar brister som kan tillskrivas tillverkningen eller använda material, på villkor att produkten har använts genom att följa instruktionerna för drift och underhåll som anges i manualen. Garantin täcker endast apparatens ursprungliga köpare som även bör uppvisa inköpsfaktura. Garantin täcker bara kostnaden för delar som krävs för att återställa apparaten till sitt normala driftsskick. Därmed utesluts kostnaderna för frakt eller för övriga material som förknippas med dem som täcks av denna garanti. Från garantitäckningen utesluts även produkter som använts felaktigt, manipuleringar, försumlighet, otillräckligt underhåll, försämringar, förändringar, normalslitage av produkten, såsom en oförenlig bränsleanvändning, reparationer med olämpliga reservdelar eller som ingår i reparationer som utförts av annan personal än återförsäljaren och den auktoriserade serviceteknikern. Det normala underhållet tillkommer kunden. Tillverkaren garanterar inte och tar inte heller direkt eller indirekt ansvar för någon annan garanti som ingår i den kommersiella garantin eller för ett beslagtagande för en viss användning. Tillverkaren är på inga villkor ansvarig för direkta, indirekta, oavsiktliga

eller resulterande skador som uppkommit från en användning av apparaten. Tillverkaren förbehåller sig rätten att när som helst och utan förvarning ändra denna garanti. Denna skrift utgör den enda giltiga garantin och tillverkaren tar inte på sig någon uttrycklig eller implicit garanti.

► pl - OGRANICZONA GWARANCJA I SERWIS POSPRZEDAŻOWY
ZACHOWAJ NIENIEJSZĄ GWARANCJĘ

Producent zapewnia, że niniejszy produkt jest wolny od wad fabrycznych i udziela (12) miesięcznego okresu gwarancji od momentu zakupu produktu pod warunkiem, że urządzenie będzie eksploatowane i konserwowane zgodnie z zaleceniami zawartymi w podręczniku użytkownika. Niniejsza gwarancja dotyczy wyłącznie oryginalnego zakupu i jest ważna tylko z fakturą sprzedaży. Gwarancja obejmuje tylko koszty części niezbędnych do przywrócenia urządzenia do stanu normalnego funkcjonowania. Niniejsza gwarancja nie obejmuje kosztów związanych z transportem lub innymi materiałami związanymi z częściami objętymi niniejszą gwarancją. Usterki wynikłe na skutek nieprawidłowej eksploatacji, zaniedbań, niedostatecznej konserwacji, przeróbek i modyfikacji, normalnego zużycia urządzenia jak również stosowania paliwa niezgodnego ze specyfikacją, napraw z użyciem nieoryginalnych części zamiennych lub napraw wykonanych przez osoby do tego nieupoważnione nie są objęte usługą gwarancyjną. Rutynowa konserwacja leży w gestii posiadacza urządzenia. Producent nie udziela gwarancji ani nie bierze bezpośredniej ani pośredniej odpowiedzialność za każdą inną wydaną gwarancję wliczając gwarancje natury handlowej. W żadnym wypadku producent nie ponosi odpowiedzialności za bezpośrednie, pośrednie, przypadkowe uszkodzenia wynikłe w trakcie użytkowania urządzenia. Producent zastrzega sobie prawo do zmiany niniejszej gwarancji w dowolnym czasie i bez uprzedniego zawiadomienia. Niniejsza gwarancja jest jedyną obowiązującą. Producent nie uznaje żadnej innej gwarancji wyrażonej lub dorozumianej.

► ru - ОГРАНИЧЕННАЯ ГАРАНТИЯ И ПОСЛЕПРОДАЖНОЕ СЕРВИСНОЕ ОБСЛУЖИВАНИЕ
СОХРАНИТЕ ДАННУЮ ИНСТРУКЦИЮ НА БУДУЩЕЕ

Производитель гарантирует, что данный продукт не имеет фабричных дефектов и недостатков, и тем самым предоставляет на него 12-месячную гарантию от момента покупки продукта при условии, что прибор будет использоваться и проходить техобслуживание согласно рекомендациям, содержащимся в руководстве для пользователя. Данная гарантия распространяется исключительно на оригинальный купленный продукт и действительна только при наличии документа, подтверждающего покупку (инвойс). Гарантия распространяется только на части, необходимые для обеспечения прибора нормального состояния функционирования. Данная гарантия не предусматривает покрытие расходов, связанных с транспортом или другими материалами, связанными с частями, на которые данная гарантия распространяется. Гарантия не будет распространяться на неисправности, возникшие в результате неправильной эксплуатации, пренебрежительного отношения, неправильного техобслуживания, переработок и модификаций, нормального износа прибора, а также применения топлива, не соответствующего данным в спецификации, ремонтов с использованием неоригинальных запчастей или ремонтов, выполненных некомпетентными лицами. Обычные периодические работы по техобслуживанию относятся к сфере обязанностей владельца прибора. Производитель не предоставляет гарантии и не берет на себя ни косвенной, ни непосредственной ответственности за любую другую выданную гарантию, в том числе гарантию коммерческого характера. Ни в коем случае производитель не несет ответственности за непосредственные, косвенные, случайные повреждения, возникшие в процессе эксплуатации прибора. Производитель оставляет за собой право вносить изменения в данной гарантии в любой момент и без предварительного предупреждения. Данная гарантия является единственной действующей гарантией. Производитель не признает никакой другой гарантии, выраженной или подразумеваемой.

► cs - OMEZENÁ ZÁRUKA A ASISTENČNÍ SLUŽBA
UCHOVÁVEJTE TUTO OMEZENOU ZÁRUKU

Během období dvanácti (12) měsíců od data nákupu tohoto produktu výrobce zaručuje, že zařízení, jako všechny jeho části, je bez vad vzniklých v důsledku výroby nebo použitých materiálů, za předpokladu, že samotný přístroj byl používán podle pokynů v příručce na provoz a údržbu. Tato záruka se vztahuje pouze na původního nákupce přístroje, který musí předložit fakturu o zakoupení. Tato záruka pokrývá pouze náklady dílů nezbytných pro navrácení výrobku do normálního stavu fungování. Proto vylučuje náklady na dopravu či dalších materiálů, spojených s částmi, na něž se vztahuje tato záruka. Ze záruky jsou vyloučena poškození, způsobená nesprávným používáním, nedbalostí, špatnou údržbou, modifikacemi a úpravami, běžným opotřebením výrobku; jakož i škody, zapříčiněné používáním nevhodného paliva, opravami s nevhodnými náhradními díly anebo opravami, prováděnými personálem odlišným od personálu prodejce anebo autorizované technické servisní služby. Běžná údržba je úkolem majitele. Výrobce nezaručuje ani nepřebírá, přímo či nepřímo, jakékoli jiné záruky, včetně záruky obchodní povahy anebo záruky pro přizpůsobení výrobku na zvláštní použití. Výrobce není v žádném případě odpovědný za jakékoliv přímé, nepřímé, náhodné nebo následné škody, vyplývající z použití zařízení. Výrobce si vyhrazuje právo kdykoliv a bez předchozího upozornění změnit tuto záruku. Jedinou platnou zárukou je tato písemná listina, výrobce neuznává žádnou jinou záruku, ani vyjádřenou, ani implicitní.

► hu - KORLÁTOZOTT JÓTÁLLÁS ÉS SZERVIZSZOLGÁLAT
ŐRIZZE MEG AZ ALÁBBI JÓTÁLLÁST

A jótállás időtartama alatt (a vásárlás napjától számított 12 hónap) a gyártó garantálja, hogy a termék vagy annak egyes alkatrészei - amennyiben azokat a vevő rendeltetésszerűen használja - nem mutatnak gyártási vagy anyaghibát. A jelen jótállás csak a termék vásárlójára terjed ki, aki a jótálláshoz való jogával kizárólag a vásárlást igazoló számla felmutatása ellenében élhet. A jelen jótállás kizárólag a berendezés normál üzemi körülményeinek helyreállításához szükséges alkatrészek költségére terjed ki. Így nem terjed ki a szállítási vagy a jótállás tárgyát képező anyagok járulékos költségeire.

A jótállás nem terjed ki a nem megfelelő használatból, nem engedélyezett módosításokból, hanyagságból, elégtelen karbantartásból, változtatásokból eredő károokra vagy a normál üzemi körülmények között kopásnak kitett alkatrészekre. A berendezés időszakos karbantartását a vevő felelőssége elvégezni. A gyártó a termékre semmilyen további közvetett vagy közvetlen jótállást (beléértve a kereskedelmi természetű vagy különleges felhasználásra vállalt jótállásokat) nem vállal. A gyártó semmilyen a berendezés használatából eredő közvetett vagy közvetlen kárért ill. balesetért nem vonható felelősségre.

A gyártó fenntartja magának a jogot, hogy a jelen jótállást a vevő előzetes megrendelése nélkül módosítsa.

Az egyetlen érvényes jótállást a jelen szerződés képezi, semmilyen egyéb szóbeli vagy hallgatólagosan beleértett jótállás nem érvényes.

► sl - OMEJENO JAMSTVO IN SERVISNA SLUŽBA
TO OMEJENO JAMSTVO SHRANITE

Proizvajalec jamči, da bo naprava in vsi njeni deli brezhibno delovali brez napak v izdelavi in materialih za dvanajst (12) mesecev po nakupu, vendar le v primeru uporabe naprave po navodilih glede delovanja in vzdrževanja, ki so navedena v tem priločniku. To jamstvo velja izključno za prvega kupca naprave, ob predložitvi računa. To jamstvo vključuje samo strošek delov, ki so potrebni za ponovno vzpostavitev normalnega delovnega stanja naprave. Ne vključuje pa stroškov za prevoz in drugi material, povezan z deli, ki jih to jamstvo ne krije. Jamstvo ne vključuje poškodb, ki bi bile posledica napačne uporabe ali ravnanja z napravo, malomarnosti, nezadostnega vzdrževanja, predelav, sprememb, običajne obrabe izdelka, kot tudi ne uporabe neprimerne goriva, popravil z neustreznimi nadomestnimi deli ali popravil s strani nepooblaščenih oseb oziroma takih, ki jih ne bi opravil pooblaščen prodajalec ali serviser. Redno vzdrževanje je v breme lastnika. Proizvajalec ne jamči kot tudi ne prevzema neposredne ali posredne odgovornosti za nobeno drugo obliko jamstva, vključno s komercialnim ali tistim za odobritev posebne vrste uporabe. Proizvajalec v nobenem primeru ne odgovarja za neposredne, posredne ali nenamerne poškodbe oziroma poškodbe, ki bi bile posledica ali ki bi nastale zaradi uporabe naprave. Proizvajalec si pridržuje pravico do sprememb tega jamstva kadarkoli in brez vnaprejšnjega obvestila. Edino veljavno jamstvo je ta dokument. Proizvajalec ne prevzema nikakršnega izrecnega ali implicitnega jamstva.

► tr - SINIRLI GARANTİ VE TEKNİK SERVİS HİZMETİ
İŞBU SINIRLI GARANTİ BELGESİNİ SAKLAYIN

Bu ürünün satın alındığı tarihten itibaren on iki (12) aylık süre boyunca, üretici firma cihazın ve bütün kısımlarının, kullanım kılavuzunda belirtilen çalıştırma ve bakım talimatlarına uygun şekilde kullanıldığı takdirde, üretime veya kullanılan malzemelere bağlı kusurlar bulundurmadığını garanti eder. İşbu garantiden sadece cihazı satın alan kişi, ürünün faturasını ibraz ederek yararlanabilir. Söz konusu garanti, sadece cihazı normal işletimin koşullarına döndürmek için gerekli parçaların masraflarını kapsar. Dolayısıyla, nakliye veya garanti kapsamındaki parçalarla birlikte kullanılacak diğer malzemelerin masrafları garanti kapsamının dışındadır. Hatalı kullanım, manipülasyon, ihmal, yetersiz bakım, üründe yapılan değişiklikler, ürünün normal aşınması ve uygun olmayan yakıt kullanımı, uygun olmayan yedek parçalarla veya tedarikçi veya yetkili teknik servis dışındaki personel tarafından yapılan tamiratlardan kaynaklanan arızalar garanti kapsamının dışındadır. Cihazın normal bakımı satın alan kişinin sorumluluğudur. Üretici firma, ticari garanti veya özel bir kullanım için tahsisat dâhil olmak üzere başka hiçbir türlü garanti sağlamamakta ve ne doğrudan ne de dolaylı olarak sorumluluğunu almamaktadır. Üretici firma, hiçbir durumda cihazın kullanımından kaynaklanan doğrudan veya dolaylı, kaza eseri veya sonuç olarak meydana gelen hasarlara ait sorumluluk kabul etmemektedir. Üretici firmanın işbu garanti belgesini istediği zaman haber vermeksizin değiştirme hakkı saklıdır. Geçerli olan tek garanti işbu yazılı metindir, üretici firma başka açık ya da dolaylı olarak ifade edilen her türlü garantiyi reddeder.

► hr - OGRANIČENO JAMSTVO I SERVISNA SLUŽBA
ČUVAJTE OVO OGRANIČENO JAMSTVO

Tijekom perioda od dvanaest (12) mjeseci polazeći od datuma kupnje ovog proizvoda, proizvođač jamči da aparat i svi njegovi dijelovi neće imati na sebi mane koje se posljedica proizvodnje ili korištenih materijala, pod uvjetom da se isti koristi pridržavajući se uputa o radu i održavanju koje navodi ovaj priručnik. Ovo se jamstvo odnosi samo na izvornog kupca aparata koji će trebati pokazati račun o kupnji. Ovo jamstvo uključuje samo troškove potrebne da bi se aparat povratio u svoje prvobitno stanje funkcioniranja. Stoga ostaju isključenim troškovi prijevoza ili drugog materijala koji je u vezi sa dijelovima pokrivenim jamstvom. Nisu pokriveni jamstvom, kvarovi koji su posljedica neprikladne uporabe, neovlaštenog mijenjanja, nemara, nedovoljnog održavanja, izmjena, preinaka, normalnog trošenja aparata kao također i korištenje neprikladnog goriva, popravljivanja neprikladnim rezervnim dijelovima ili popravki od strane osoblja koje nije distributer tog proizvoda ili tehničkog servisa kojeg je on ovlasio. Uobičajeno normalno održavanje je na teret vlasnika. Proizvođač neće jamčiti niti će se obavezivati direktno i indirektno za nikakvo drugo jamstvo uključujući ono komercijalne prirode ili prisvajanje za određenu

uporabu. Ni u kojem slučaju proizvođač neće biti odgovoran za bilo kakvu izravnu ili neizravnu, slučajnu ili posljedičnu štetu koja proizlazi iz uporabe aparata. Proizvođač ostavlja sebi na pravo da unese izmjene u bilo kojem trenutku u ovo jamstvo bez davanja prethodnog obavještenja. Jedino važeće jamstvo je ovo pismo, proizvođač ne preuzima na sebe nikakvo izraženo ili podrazumijevajuće jamstvo.

**► It - RIBOTA GARANTIJA IR PAGALBOS TARNYBA
SAUGOKITE ŠIĄ RIBOTĄ GARANTIJĄ**

Per dvylika (12) mėnesių nuo šio gaminio pirkimo datos gamintojas suteikia garantiją, kad visas prietaisas bendrai ir kiekviena jo detalė neturi gamybinių defektų ar su naudotomis medžiagomis susijusių defektų, nes prietaisas buvo gaminamas laikantis vadove pateiktų veikimo ir priežiūros instrukcijų. Ši garantija yra asmeninė ir pratęsiamą išskirtinai tik prietaiso pirkėjui; jis turės pateikti pirkimo faktūrą. Garantija taikoma tik išlaidoms toms svarbioms detalėms, be kurių prietaisas negali įprastai veikti. Garantija netaikoma gabenimo išlaidoms ar kitoms medžiagoms, susijusioms su garantinėmis detalėmis. Garantija netaikoma dėl netinkamo, neatsargaus, nepakankamo naudojimo, pakeitimų ar modifikacijų kilusiems gedimams, įprastai nusidėvėjusiam gaminiui, dėl netinkamo degalų naudojimo, taisymo naudojant netinkamas atsargines detales ar kai taisymus atlieka ne platintojo ar įgaliosios techninės pagalbos tarnybos darbuotojai. Įprastą priežiūrą turi atlikti savininkas. Ši garantija teikiama vietoj kitos garantijos ir ja neteikiamos jokios aiškiai nustatytos arba numanomos garantijos, įskaitant bet kokią numanomą įstatymų nustatytą prekinės būsenos arba atitikties specialiajai paskirčiai garantiją. Jokiu gamintojas nepriima atsakomybės už tiesioginę, netiesioginę žalą, žalą dėl nelaimingų atsitikimų ar logiškai jų sukeltą naudojantis prietaisu. Gamintojas pasilieka teisę bet kuriuo metu ir be išankstinio įspėjimo keisti šią garantiją. Vienintelė galiojanti garantija yra šis raštiškas dokumentas, gamintojas nepriima jokios aiškiai nustatytos ar numanomos garantijos.

**► Iv - IEROBEŽOTĀ GARANTIJA UN TEHNISKĀS APKALPOŠANAS SERVISS
SAGLABĀT ŠO IEROBEŽOTU GARANTIJU**

Divpadsmit (12) mēnešu laikā no šī produkta iegādāšanās datuma, ražotājs garantē, ka šī ierīce, kā arī jebkura tās daļa, neuzrāda defektus ražošanas dēļ vai izmantoto materiālu dēļ, ja tā tika lietota sekojot darbošanās instrukcijām un tehniskās apkopes instrukcijām, kas ir uzrādītas rokasgrāmatā. Šī garantija ir domāta tikai pirmajam ierīces pircējam, kuram būs jāuzrāda pirkuma rēķins. Šī garantija iekļauj tikai to daļu izmaksas, kas ir nepieciešamas, lai atjaunotu ierīci tās normālajā darbībā, un tādēļ tiek izklautas izmaksas saistībā ar transportu vai citiem materiāliem, kas ir saistīti ar daļām, kuras sedz šī garantija. Garantija nesedz, ja bojājumu izraisīja kļūdaina lietošana, iejaukšanās, neuzmanība, nepietiekīga tehniskā apkope, modifikācijas, izmaiņas, normāla produkta nolietošānās, kā arī ja tika izmantota neatbilstoša degviela, remonts ar neatbilstošām rezerves daļām vai ja remontu veic personas, kas nav ražotājs vai autorizēts Tehniskās Apkalpošanas Serviss. Normāla tehniskā apkope ir uz īpašnieka rēķina. Ražotājs nedod nekādu citu garantiju, izņemot to, kas ir uzrādīta augstāk un neuzņemas nekādu citu saistību, ne tiešo ne netiešo, saistībā ar citām garantijām, iekļaujot komerciālā rakstura garantiju, vai īpašai izmantošanai. Nekādā gadījumā ražotājs nebūs atbildīgs par tiešiem, netiešiem, gadījuma vai izraisītiem bojājumiem, kas nāk no ierīces lietošanas. Ražotājs patur tiesības veikt šīs garantijas izmaiņas jebkurā brīdī un bez iepriekšējās paziņošanas. Vienīgā derīgā garantija ir šī, ražotājs neizsniedz nekādu citu izteiktu vai neizteiktu garantiju.

**► et - PIIRATUD GARANTII JA TEHNILINE TEENINDUS
HOIDKE SEE PIIRATUD GARANTII ALLES**

Kaheteistkümne (12) kuu jooksul alates selle toote ostmisest garanteerib tootja, et seadmel ega ühelgi selle osal ei esine tootmisest või kasutatud materjalidest tulenevaid defekte, kui seadet kasutatakse juhendis antud töö- ja hooldusjuhiste järgi. Käesolev garantii puudutab ainult seadme algset ostjat, kes peab esitama ostutšekki. Käesolev garantii hõlmab ainult nende osade maksumust, mida on vaja, et seade uuesti normaalsesse töökorda viia. Seega jäävad selle alt välja veokulud ja käesoleva garantiiga kaetud osadega seotud materjali maksumus. Garantiiga ei ole kaetud avariid, mis tulenevad väärist kasutamisest, käsitsemisest, hooletusest, ebapiisavast hooldusest, toote kallal tehtud teiseidustest ja muudatustest, normaalsest kulumisest ja ka ebasobiva kütuse kasutamisest, ebasobivate varuosadega parandamisest või parandustöödest, mida on teinud muud töötajad kui edasimüüja või volitatud tehnilise teeninduse omad. Tavapärane hooldus on omaniku ülesanne. Tootja ei garanteeri ega võta enda kanda otseselt ega kaudselt ühtegi muud garantiid, sh kaubagarantiid või mõneks spetsiaalseks otstarbeks omandamise puhuks. Tootja ei ole mingil juhul vastutav seadme kasutamisest põhjustatud otsese, kaudse, juhusliku või muu kahju eest. Tootja jätab endale õiguse käesolevat garantiid mis tahes hetkel etteaatamata muuta. Ainus kehtiv garantii on käesolev dokument, tootja ei anna muud selgesõnalist ega vaikimisi garantiid.

**► ro - GARANȚIE LIMITATĂ ȘI SERVICIU DE ASISTENȚĂ - SERVICE
PĂSTRAȚI ACEASTĂ GARANȚIE LIMITATĂ**

În intervalul de timp de doisprezece (12) luni de la data cumpărării acestui produs, producătorul garantează că aparatul, precum și fiecare componentă a acestuia, nu prezintă defecte de fabricație sau datorate materialelor folosite; aparatul trebuie folosit conform instrucțiunilor de funcționare și întreținere indicate în manual. Prezenta garanție se acordă numai cumpărătorului direct al aparatului care va trebui să prezinte factura de cumpărare. Prezenta garanție acoperă numai costul componentelor necesare pentru ca aparatul să funcționeze în condiții normale. Sunt excluse costuri privind transportul sau al altor materiale asociate componentelor acoperite de prezenta garanție. Nu sunt acoperite de garanție defectele datorate

utilizării incorecte, manipulărilor, neglijenței, întreținerii insuficiente, modificărilor, uzurii normale a produsului, precum și datorate utilizării combustibilului neconform, reparațiilor sau utilizării pieselor de schimb neadecvate și reparațiilor realizate de personal altul decât distribuitorul sau serviciul tehnic autorizat. Întreținerea ordinară este în sarcina proprietarului. Producătorul nu garantează și nici nu își asumă responsabilitatea directă sau indirectă pentru nici un alt fel de garanție, inclusiv cea cu caracter comercial sau în cazul cumpărării acestuia cu un anumit scop de folosire. În nici un caz producătorul nu poate fi considerat responsabil pentru daune directe, indirecte, accidentale sau derivate din utilizarea aparatului. Producătorul își rezervă dreptul de a aduce modificări prezentei garanții în orice moment și fără preaviz. Singura garanție valabilă este cea de față, producătorul nu oferă nici un alt fel de garanție, fie ea explicită sau implicită.

**► sk - OBMEDZENÁ ZÁRUKA A ASISTENČNÁ SLUŽBA
USCHOVÁVAJTE TÚTO OBMEDZENÚ ZÁRUKU**

Počas obdobia dvanástich (12) mesiacov od dátumu nákupu tohto produktu výrobca zaručuje, že zariadenie, ako všetky jeho časti, je bez závad vzniknutých v dôsledku výroby alebo použitých materiálov, za predpokladu, že samotný prístroj bol používaný podľa pokynov v príručke na použitie a údržbu. Táto záruka sa vzťahuje len na pôvodného nákupcu prístroja, ktorý musí predložiť faktúru o kúpe. Táto záruka pokrýva iba náklady dielov, potrebných pre navrátenie výrobku do normálneho stavu fungovania. Preto vylučuje náklady na dopravu či ďalšie materiály, spojené s časťami, na ktoré sa vzťahuje táto záruka. Zo záruky sú vylúčené poškodenia, spôsobené nesprávnym používaním, nedbalosťou, špatnou údržbou, modifikáciami a úpravami, bežným opotrebovaním výrobku; ako aj škody, zapríčinené používaním nevhodného paliva, opravami s nevhodnými náhradnými dielmi alebo opravami, vykonávanými personálom odlišným od personálu predajcu alebo autorizovanej technickej servisnej služby. Bežná údržba je úlohou majiteľa. Výrobca nezaručuje ani nepreberá, priamo či nepriamo, akékoľvek iné záruky, vrátane záruky obchodnej povahy alebo záruky pre prispôbenie výrobku na zvláštne použitie. Výrobca nie je v žiadnom prípade zodpovedný za akékoľvek priame, nepriame, náhodné alebo následné škody, vyplývajúce z použitia zariadenia. Výrobca si vyhradzuje právo kedykoľvek a bez predchádzajúceho upozornenia zmeniť túto záruku. Jedinou platnou zárukou je táto písomná listina, výrobca neuznáva žiadnu inú záruku, ani vyjadrenú, ani implicitnú.

**► bg - ОГРАНИЧЕНА ГАРАНЦИЯ И СЕРВИЗ ЗА ТЕХНИЧЕСКО ОБСЛУЖВАНЕ
ДА СЕ СЪХРАНЯВА НАСТОЯЩАТА ОГРАНИЧЕНА ГАРАНЦИЯ**

По време на периода от дванадесет (12) месеца, смятано от датата на покупка на това изделие, производителят покрива гаранцията на уреда, и на всяка негова част, по отношение на наличие на производствени дефекти или използвани материали, при всички случаи само когато изделието се използва, в съответствие с указанията за работа и поддръжка, указани в наръчника. Настоящата гаранция важи единствено за първоначалният купувач на уреда, който трябва да представи фактура за извършена покупка. Настоящата гаранция покрива и разходите за частите, необходими за възстановяване нормално действие на уреда. В нея не се включват, съответните транспортни разходи или други материали в тази връзка, за частите покрити от настоящата гаранция. Не влизат в гаранцията, аварии вследствие на неправилна употреба, манипулации, невнимание, недостатъчна поддръжка, промени, модификации, нормално износване на изделието, както и вследствие ползване на неодобрен горивен газ, смени с неподходящи резервни части или ремонти извършвани от друг персонал, освен от дистрибутора или оторизиран технически сервиз. Нормалната поддръжка е за сметка на собственика. Производителят не гарантира, нито поема пряк или непряк ангажимент, във връзка с каквато и да е друга гаранция, включително и търговската или вследствие на придобиване за специална употреба. При никакви обстоятелства, производителят не носи отговорност за преки, косвени, случайни или последващи щети, свързани с употреба на уреда. Производителят си запазва правото да променя настоящата гаранция, по всяко време и без предварително предизвестие. Единствената гаранция в сила е настоящият текст, производителят не приема никаква друга словесна или несловесна гаранция.

**► uk - ОБМЕЖЕНА ГАРАНТІЯ І ТЕХНІЧНЕ ОБСЛУГОВУВАННЯ
ЗБЕРІГАЙТЕ ЦЮ ОБМЕЖЕНУ ГАРАНТІЮ**

Протягом дванадцяти (12) місяців, починаючи з дати придбання цього виробу, виробник гарантує, що пристрій, як і всі його комплектуючі, не має дефектів, спричинених процесом вироблення або використаними матеріалами, за умови, що пристрій використовується з дотриманням інструкцій з експлуатації й обслуговуванню, які містяться в даному посібнику. Ця гарантія поширюється лише на справжнього покупця пристрою, який має представити чек або рахунок. Ця гарантія поширюється лише на вартість деталей, необхідних для повернення пристрою до нормального робочого стану. Тому гарантія не поширюється на витрати на транспортування або на інші деталі, пов'язані з деталями, на які поширюється ця гарантія. Гарантія не поширюється на поломки, що сталися в результаті неправильної експлуатації пристрою, неналежного обслуговування, деформації, внесення конструктивних змін, звичайного зношення виробу, а також через використання невідповідного пального, ремонт з використанням неналежних запчастин, або через ремонт, проведений фахівцями, які не мають відношення до виробника або авторизованої служби технічного обслуговування. Відповідальність за повсякденне обслуговування несе власник. Виробник не гарантує і не несе прямої або непрямої відповідальності за будь-яку іншу гарантію, включаючи гарантію торговельного характеру або наслідки особливої експлуатації. Ні в якому разі виробник не несе відповідальності за прямі, непрямі, випадкові збитки, які є наслідком використання пристрою. Виробник залишає за собою право в будь-який момент і без попереднього

оповіщення вносити зміни до цієї гарантії. Єдиною чинною гарантією є цей документ, і виробник не бере на себе жодних чітких або ймовірних гарантії.

► bs - OGRANIČENA GARANCIJA I SERVISNA USLUGA
SAČUVAJTE OVU OGRANIČENU GARANCIJU

Tokom perioda od dvanaest (12) mjeseci polazeći od datuma kupovine ovog proizvoda, proizvođač garantira da proizvod kao i svi njegovi dijelovi nemaju mana koje su posljedica proizvodnje i korištenih materijala ali samo ako se on koristi pridržavanjem uputstava o radu i održavanju navednih u priručniku. Ova se garancija odnosi isključivo na prvobitnog kupca aparata koji mora pokazati račun o kupovini. Ova garancija obuhvaća samo troškove dijelova koji su potrebni da bi se aparat vratio u svoje normalno stanje rada. Zato ostaju isključenima troškovi vezani za transport ili drugi materijali u vezi sa dijelovima pokrivenim ovom garancijom. Nisu pokriveni garancijom kvarovi koji su posljedica pogrešne upotrebe, nemar, nedovoljno održavanje, izmjene, promjene, normalno trošenje proizvoda kao također i korištenje neprikladnog goriva, popravke neprikladnim rezervnim dijelovima ili one koje je obavilo drugačije osoblje od onog zaduženog za servisiranje i distribuirati proizvoda. Obično održavanje je na teret vlasnika. Proizvođač ne garantira, niti preuzima na sebe direktno ili indirektno bilo kakvu drugu garanciju uključujući i onu komercijalne prirode ili aproprijacije za neku posebnu upotrebu. Proizvođač neće biti odgovoran ni u kom slučaju za štetu direktnu ili indirektnu, slučajnu ili posljedičnu koja proističe iz korištenja aparata. Proizvođač ostavlja sebi na pravo da promijeni u bilo kojem trenutku i bez davanja prethodnog obavještenja ovu garanciju. Jedino važeća garancija je ova napisana, proizvođač ne preuzima na sebe nikakvu izraženu ili impliciranu garanciju.

► el - ΠΕΡΙΟΡΙΣΜΕΝΗ ΕΓΓΥΗΣΗ ΚΑΙ ΥΠΗΡΕΣΙΑ ΤΕΧΝΙΚΗΣ ΥΠΟΣΤΗΡΙΞΗΣ
ΦΥΛΑΞΤΕ ΤΗΝ ΠΑΡΟΥΣΑ ΠΕΡΙΟΡΙΣΜΕΝΗ ΕΓΓΥΗΣΗ

Κατά την περίοδο των δώδεκα (12) μηνών από την ημερομηνία αγοράς του προϊόντος αυτού, ο κατασκευαστής εγγυάται ότι η συσκευή, όπως κάθε άλλο εξάρτημά της, δεν παρουσιάζει ελαττώματα λόγω κατασκευής ή χρησιμοποιημένων υλικών, υπό τον όρο ότι η ίδια χρησιμοποιήθηκε πάντα σύμφωνα με τις οδηγίες λειτουργίας και συντήρησης που ενδείκνυται στο εγχειρίδιο. Η παρούσα εγγύηση καλύπτει μόνο τον αρχικό αγοραστή της συσκευής, ο οποίος θα πρέπει να παρουσιάσει την απόδειξη αγοράς. Η παρούσα εγγύηση αποκλείει μόνο το κόστος των απαραίτητων μερών για την επαναφορά της συσκευής στην κανονική κατάσταση λειτουργίας. Αποκλείεται επομένως το κόστος μεταφοράς ή άλλων υλικών που συνδέονται με τα μέρη που καλύπτονται από την παρούσα εγγύηση. Εξαιρούνται από το κόστος της εγγύησης, οι ζημιές που προκαλούνται από λάθος χρήση, χειρισμό, αμέλεια, κακή συντήρηση, παραποιήσεις, μετατροπές, φυσική φθορά του προϊόντος, καθώς επίσης και από τη χρήση καυσίμων που δεν είναι σύμφωνα, επισκευές με ακατάλληλα ανταλλακτικά ή επισκευές από προσωπικό ή από υπηρεσία τεχνικής υποστήριξης που δεν είναι εξουσιοδοτημένη από τον αντιπρόσωπο. Η κανονική συντήρηση είναι αρμοδιότητα του ιδιοκτήτη. Ο κατασκευαστής δεν εγγυάται και ούτε ευθύνεται άμεσα ή έμμεσα για οποιαδήποτε άλλη εγγύηση, συμπεριλαμβανομένης εκείνης που είναι εμπορικής φύσης ή για την ιδιοποίηση μιας συγκεκριμένης χρήσης. Σε καμία περίπτωση ο κατασκευαστής δεν ευθύνεται για άμεσες, έμμεσες, τυχαίες ή κατά συνέπεια ζημιές, που προέρχονται από τη χρήση της συσκευής. Ο κατασκευαστής διατηρεί το δικαίωμα να τροποποιεί οποιαδήποτε στιγμή και χωρίς προειδοποίηση την παρούσα εγγύηση. Η μόνη εγγύηση που ισχύει είναι η παρούσα γραφή, ο κατασκευαστής δεν αναλαμβάνει καμία εγγύηση ρητή ή και υπονοούμενη.

► zh - 有限责任和售后服务
生产者对设备负有有限责任

从此产品被购买的当天开始计算的(12个月内, 在用户严格按照使用维护手册对设备进行操作和维护的前提下, 生产商保证这台设备和其所有零件不会因为在生产过程中产生的错误或因为生产所使用的材料而发生问题, 损坏或无效。此项质量保证只对原始购买者有效, 并必须提供对应的发票单据。在上述情况下, 当设备发生故障而停止工作后, 此项质量保证仅承担将设备还原到原始正常的工作状态所必须零件的成本, 不包括因此引起的运输或者其他相关材料的成本费用。因为以下原因引起的故障, 不在上述质保范围内: 错误的使用, 操作, 疏忽失误, 缺少维护, 随意变更替换, 修改, 正常损耗, 使用不符合规定的燃料, 使用不符合规定的零件, 通过没有售后服务技术授权的人员或者非授权经销商进行维修等。设备进行定期维护属于最终用户的责任。生产商不承担任何商业性质或者某些特殊用途所引起的直接或间接责任。在任何情况下, 生产商对在正常使用过程中产生的直接, 间接, 偶然或必然的损失负责。生产商对此质量保证条款保留最终解释权和修改权, 且无需提前告知。此份质量保证是唯一生效的, 生产商不对任何未表述的或者暗示的条款负责。

Model: _____

Serial Number: _____

Date of Purchase: _____

► en - DISPOSAL OF THE PRODUCT

-This product has been designed and manufactured with top-quality materials and components, which can be re-cycled and re-used. When a crossed-wheely bin symbol is attached to the product, it means that the product is protected by the, 2012/19/UE European Directive.

-Please obtain information regarding the local differentiated collection system for electrical and electronic products.

-Respect local Standards in force and do not dispose of old products as normal domestic waste. Correct disposal of the product helps to prevent possible negative consequences for health, the environment and mankind.

► it - SMALTIMENTO DEL PRODOTTO

-Questo prodotto è stato progettato e fabbricato con materiali e componenti di alta qualità, che possono essere riciclati e riutilizzati.

-Quando ad un prodotto è attaccato il simbolo del bidone con le ruote segnato da una croce, significa che il prodotto è tutelato dalla Direttiva Europea 2012/19/UE.

-Si prega di informarsi in merito al sistema locale di raccolta differenziata per i prodotti elettrici ed elettronici.

-Rispettare le norme locali in vigore e non smaltire i prodotti vecchi nei normali rifiuti domestici. Il corretto smaltimento del prodotto aiuta ad evitare possibili conseguenze negative per la salute dell'ambiente e dell'uomo.

► de - ENTSORGUNG DES PRODUKTS

-Dieses Produkt wurde unter Verwendung von Qualitätsmaterialien und -bauteilen entwickelt und hergestellt, die recycelt und wieder verwendet werden können.

-Ist ein Produkt gekennzeichnet durch die Mülltonne mit Rädern und einem Kreuz, wird hier angezeigt, dass dieses Produkt durch die europäische Direktive 2012/19/UE überwacht ist.

-Es wird gebeten, sich über die vor Ort bestehende Mülltrennung bezüglich elektrischer und elektronischer Produkte zu informieren.

-Die vor Ort geltenden Vorschriften zur Müllentsorgung müssen eingehalten werden und alte Produkte dürfen nicht zusammen mit dem Hausmüll entsorgt werden. Die ordnungsgemäße Entsorgung des Produkts hilft mögliche negative Folgen für Gesundheit und Umwelt zu vermeiden.

► es - ELIMINACIÓN DEL PRODUCTO

-Este producto ha sido diseñado y fabricado con materiales y componentes de alta calidad que se pueden reciclar y reutilizar.

-Cuando en el producto se encuentra el símbolo del contenedor con las ruedas tachado con una cruz, significa que el producto está tutelado por la Directiva europea 2012/19/UE.

-Se ruega informarse acerca del sistema local de recogida selectiva para los productos eléctricos y electrónicos.

-Respete las normas locales vigentes y no elimine los productos viejos junto con los residuos domésticos normales. La eliminación correcta del producto ayuda a evitar posibles consecuencias negativas para la salud del ambiente y del hombre.

► fr - SE DÉBARRASSER DE VOTRE PRODUIT USAGÉ

-Ce produit a été conçu et fabriqué avec des matériaux et des composants de haute qualité, qui peuvent être recyclés et utilisés de nouveau.

-Lorsque le symbole d'une poubelle à roue barrée est appliqué à un produit, cela signifie que le produit est couvert par la Directive Européenne 2012/19/UE.

-Veuillez vous informer du système local de séparation des déchets électriques et électroniques.

-Veuillez agir selon les règles locale set ne pas jeter vos produits usagés avec les déchets domestiques usuels. Jeter correctement votre produit usagé aidera à prévenir les conséquences négatives potentielles contre l'environnement et la santé humaine.

► nl - VERWIJDERING VAN HET PRODUCT

-Dit product werd ontworpen en gemaakt met hoogwaardige materialen en componenten, die gerecycleerd en herbruikt kunnen worden.

-Wanneer op een product het symbool van de afvalbak op wielen met een kruis erdoor is aangebracht, betekent dit dat het product valt onder de Europese Richtlijn 2012/19/UE.

-Gelieve inlichtingen in te winnen betreffende het plaatselijke systeem voor gedifferentieerde inzameling van elektrische en elektronische toestellen.

-Respecteer de plaatselijke normen die van kracht zijn, en verwijder de oude toestellen niet als gewoon huishoudelijk afval. Een correcte verwijdering van het product helpt om mogelijke negatieve gevolgen voor de gezondheid van mens en milieu te voorkomen.

► pt - ELIMINAÇÃO DO PRODUTO

-Este produto foi projetado e fabricado com materiais e componentes de alta qualidade que podem ser reciclados e reutilizados.

-Quando for afixado em um produto o símbolo do bidão com rodas marcado com uma cruz, significa que o produto é protegido pela Diretiva Europeia 2012/19/UE.

-Solicitamos informar-se sobre o sistema local de recolha diferenciada para os produtos elétricos e eletrónicos.

-Respeitar as normas locais em vigor e não eliminar os produtos antigos como normais detritos domésticos. A correta eliminação do produto ajuda a evitar possíveis consequências negativas para a saúde do ambiente e do homem.

► da - BORTSKAFFELSE

- Dette produkt er designet og fremstillet med materialer og dele af høj kvalitet, der kan genanvendes.
- Når et produkt er mærket med symbolet, der viser en affaldsspand på hjul med et kryds over, betyder det, at produktet er beskyttet af EF-Direktiv 2012/19/UE.
- Der henstilles til, at man informerer sig angående det lokale affaldssorteringssystem for elektriske og elektroniske produkter.
- De gældende lokale regler skal overholdes, og de gamle produkter må ikke bortskaffes sammen med husholdningsaffaldet. Ved at bortskaffe dette produkt korrekt, medvirker De til at forhindre eventuelle negative påvirkninger af miljøet og folkesundheden.

► fi - TUOTTEEN HÄVITTÄMINEN

- Tämä tuote on suunniteltu ja valmistettu korkealaatuisia materiaaleja ja osia käyttämällä, jotka voidaan kierrättää ja käyttää uudelleen.
- Kun tuotteeseen on kiinnitetty viivattu roskasäiliön merkki, se tarkoittaa, että tuotetta suojaa Euroopan yhteisön direktiivi 2012/19/UE.
- Hanki tietoja paikallisesta sähkö- ja elektroniikkaromujen erilliskeräyksestä.
- Noudata voimassa oleva määräyksiä äläkä hävitä vanhoja tuotteita kotitalousjätteiden mukana. Tuotteen oikea hävittäminen auttaa suojelemaan luontoa ja välttää väärän romutuksen aiheuttamien terveysriskien syntymistä.

► no - AVFALLSHÅNTERING

- Dette produktet er utformet og produsert med materialer og deler av høy kvalitet, og som kan gjenvinnes.
- Når det på et produkt finnes et symbol som forestiller en avfallsbeholder med et kryss over, betyr dette at produktet er underlagt EU-direktiv 2012/19/UE.
- Vennligst informer dere angående de lokale reglene som gjelder kassering av elektrisk og elektronisk avfall.
- Ta hensyn til gjeldende regelverk og ikke kast gamle produkter sammen med husholdningsavfall. Riktig avfallshåndtering av produktet bidrar til å unngå potensielle negative konsekvenser for miljøet og menneskenes helse.

► sv - PRODUKTENS BORTSKAFFANDE

- Den här produkten har projekterats och tillverkats med material och komponenter av hög kvalitet som kan återvinnas och återanvändas.
- När ett klistermärke med en symbol med överkorsad soptunna med hjul sitter på produkten, betyder detta att produkten är skyddad av Eu-direktiv 2012/19/UE.
- Vi ber er inhämta upplysningar vid er lokala återvinningsstation för elektriska och elektroniska produkter.
- Följ lokala gällande bestämmelser och skaffa inte bort förbrukade produkter i det vanliga hushållsavfallet. Ett korrekt bortskaffande av produkten hjälper till att undvika möjliga negativa effekter på miljö- och människohälsa.

► pl - UTYLIZACJA PRODUKTU

- Niniejszy produkt został wyprodukowany z najwyższej jakości materiałów, które mogą być poddane recyklingowi i zostać ponownie użyte.
- Symbol przekreślonego kosza na śmieci umieszczony na sprzęcie, opakowaniu lub dokumentach do niego dołączonych oznacza, że produktu nie wolno wyrzucać łącznie z innymi odpadami. Obowiązkiem użytkownika jest przekazanie zużytego sprzętu do wyznaczonego punktu zbiórki w celu właściwego jego przetworzenia. Oznakowanie oznacza jednocześnie, że sprzęt został wprowadzony do obrotu po dniu 13 sierpnia 2005 r.
- Należy zapoznać się z lokalnym systemem zbiórki produktów elektronicznych i elektrycznych.
- Informacje o dostępnym systemie zbierania zużytego sprzętu elektrycznego można znaleźć w punkcie informacyjnym sklepu oraz w urzędzie miasta/gminy.
- Odpowiednie postępowanie ze użytym sprzętem zapobiega negatywnym konsekwencjom dla środowiska i ludzkiego zdrowia!

► cs - LIKVIDACE VÝROBKU

- Tento výrobek byl navržen a vyroben z vysoce kvalitních materiálů a komponentů, které lze recyklovat a znovu použít.
- Je-li na výrobku symbol přeškrtnutého kontejneru, znamená to, že na výrobek se vztahuje Evropská Směrnice 2012/19/UE.
- Informujte se o místním systému pro oddělený sběr elektrických a elektronických výrobků.
- Dodržujte místní předpisy a nelikvidujte staré produkty spolu s běžným komunálním odpadem. Správná likvidace výrobku pomůže předcházet možným negativním dopadům na životní prostředí a lidské zdraví.

► hu - HULLADÉKBA HELYEZÉS

- A termék kiváló minőségű újrahaznosítható és újból felhasználható alkotóelemek felhasználásával készült.
- Ha terméken elhelyezésre került az áthúzott hulladékgyűjtőt ábrázoló jel, az azt jelenti, hogy a termékre a 2012/19/UE irányelv vonatkozik.
- Kérjük, tájékozódjon az elektromos és elektronikus hulladékok szelektív gyűjtéséről.
- Tartsa be a helyben hatályos előírásokat, és ne a terméket ne helyezze a háztartási hulladékgyűjtőbe. A megfelelő hulladékgyűjtéssel elkerülhető, hogy a hulladékok károsítsák a környezetet ill. az emberi egészséget.

►sl - ODLAGANJE IZDELKA

- Ta izdelek je bil zasnovan in izdelan iz materialov in komponent visoke kakovosti, ki jih je mogoče reciklirati in ponovno uporabiti.
- Ko je izdelek označen z znamenjem prekrižanega smetnjaka na kolesih, pomeni, da zanj veljajo določbe evropske Direktive 2012/19/UE.
- Pozanimajte se o načinu ločenega zbiranja električne in elektronske opreme, ki velja v vašem kraju.
- Upoštevajte veljavne predpise in odsluženih izdelkov ne odlagajte med gospodinjske odpadke. Pravilno odlaganje izdelka prispeva k izogibanju morebitnim negativnim posledicam za zdravje okolja in ljudi.

►tr - ÜRÜNÜN İMHA EDİLMESİ

- Bu ürün, geri dönüştürülüp tekrar kullanılabilen, yüksek kaliteli malzeme ve bileşenler kullanılarak tasarlanıp üretilmiştir.
- Herhangi bir üründe, üzerinde çarpı işareti bulunan tekerlekli bidon bulunuyorsa bu, ürünün 2012/19/UE Avrupa Direktifi tarafından korunduğunu belirtir.
- Lütfen bulunduğunuz bölgedeki elektrikli ve elektronik aletler için olan çöp ayrıştırma sistemi ile ilgili bilgi edininiz.
- Konuyla ilgili yerel düzenlemelere uyunuz ve eski ürünleri normal evsel atıklarla beraber atmayınız. Ürünün doğru şekilde imha edilmesi, çevre ve insan sağlığını tehdit edici olumsuz sonuçların önlenmesine yardımcı olur.

►hr - ODBACIVANJE PROIZVODA

- Ovaj je proizvod osmišljen i izrađen s visokokvalitetnim materijalima i komponentama koje se mogu reciklirati i ponovno iskoristiti.
- Kada se na proizvod stavi simbol prekrižene kante na kotačima, to znači da je on podvrgnut Europskoj Smjernici 2012/19/UE.
- Informirajte se u svezi s lokalnim načinom diferencijalnog sakupljanja električnih i elektronskih proizvoda.
- Pošaljite lokalne propise na snazi i ne odbacujte stare proizvode zajedno sa običnim kućnim otpadom. Pravilnim odbacivanjem proizvoda spriječit ćete moguće negativne posljedice za okoliš i za zdravlje ljudi.

►lt - GAMINIO SUNAIKINIMAS

- Šis gaminys buvo sukurtas ir pagamintas iš aukštos kokybės medžiagų bei dalių, kurios gali būti perdirbtos arba panaudotos dar kartą.
- Kai gaminys yra pažymėtas perbraukto atliekų konteinerio su ratukais ženklų, tai reiškia, kad gaminys yra saugomas pagal ES direktyvą 2012/19/UE.
- Prašome pasidomėti apie vietinę elektros ir elektronikos atliekų rūšiavimo sistemą.
- Laikykites vietinių galiojančių taisyklių ir nemeskite senų gaminių su įprastomis buitinėmis atliekomis. Tinkamai sunaikinę gaminį išvengsite galimų neigiamų pasekmių aplinkai ir žmonių sveikatai.

►lv - PRODUKTA IZNĪCINĀŠANA

- Šis produkts tika izveidots un ražots ar augstas kvalitātes materiāliem un sastāvdaļām, kas var būt savāktas un atkārtoti izmantotas.
- Kad pie produkta ir piestiprināts atkritumu tvertnes simbols ar riteņiem, kas ir pārsvītrots ar krustu, tas nozīmē, ka produktu aizstāv Eiropas Direktīva 2012/19/UE.
- Lūdzam Jūs gūt informāciju par vietēju centru, kas savāc elektriskās un elektroniskā ierīces.
- Ievērot vietējās pastāvošās normas un neiznīcināt vecus produktus, kā parastus mājas atkritumus. Produkta pareizā iznīcināšana palīdz izvairīties no iespējamām negatīvām sekām vides un cilvēku veselībai.

►et - TOOTE KASUTUSEST KÕRVALDAMINE

- See toode on projekteeritud ja toodetud kvaliteetsetest materjalidest ja osadest, mida võib uuesti ringlusse võtta ja korduskasutada.
- Kui tootel on märk, millel on ratastega prügikast, millele on rist peale tõmmatud, tähendab see, et toodet kaitseb Euroopa direktiiv 2012/19/UE.
- Palun tutvuge kohaliku elektri- ja elektroonikatoodete lahuskogumise süsteemiga.
- Täitke kehtivaid kohalikke õigusnorme ning ärge visake vana toodet olmejäätmete hulka. Toote õige kõrvaldamine aitab vältida võimalikke negatiivseid tagajärgi keskkonna ja inimeste tervisele.

►ro - SCOATEREA DEFINITIVĂ DIN UZ A PRODUSULUI

- Acest produs a fost proiectat și fabricat cu materiale și componente de înaltă calitate care pot fi reciclate și refolosite.
- Când pe produs este aplicat simbolul unei pubele cu roți, marcată cu o cruce, înseamnă că produsul respectiv este conform Directivei Europene 2012/19/UE.
- Vă rugăm să vă informați în ceea ce privește colectarea separată a produselor electrice și electronice.
- Respectați normele locale în vigoare și nu depozitați produsele vechi împreună cu deșeurile menajere. Eliminarea corectă a produsului ajută la eliminarea consecințelor negative pe care acesta le poate avea asupra mediului înconjurător și a persoanelor.

►sk - LIKVIDÁCIA VÝROBKU

- Tento výrobok bol navrhnutý a vyrobený z vysoko kvalitných materiálov a komponentov, ktoré je možné recyklovať a znovu použiť.
- Ak je na výrobku symbol prečiarknutého kontajnera, znamená to, že na výrobok sa vzťahuje Európska Smernica 2012/19/UE.
- Informujte sa o miestnom systéme pre oddelený zber elektrických a elektronických výrobkov.
- Dodržujte miestne predpisy a nelikvidujte staré produkty spolu s bežným komunálnym odpadom. Správna likvidácia výrobku pomôže predchádzať možným negatívnym dopadom na životné prostredie a ľudské zdravie.

► **bg - ИЗХВЪРЛЯНЕ НА УРЕДА**

-Това изделие е проектирано и произведено с материали и компоненти от високо качество, които могат да се рециклират или използват повторно.

-Когато на някое изделие е поставен символ с бидон на колелца, маркиран с хикс, това означава, че изделието е защитено съгласно Европейска Директива 2012/19/UE.

-Моля да се информирате относно местната система за разделно изхвърляне на електрически и електронни изделия.

-Спазвайте действащите местни нормативи и не изхвърляйте изделията, заедно с нормалните домакински отпадъци. Правилното изхвърляне на изделията, помага за избягване на възможни отрицателни последици, за здравето на хората и за опазване на околната среда.

► **uk - УТИЛІЗАЦІЯ ВИРОБУ**

-Цей виріб був спроектований і вироблений з використанням високоякісних матеріалів і комплектуючих, які можуть бути повторно перероблені і використані.

-Якщо на виріб нанесено символ перекресленого бака з колесами для сміття, це означає, що виріб відповідає Директиві Європейського Союзу 2012/19/UE.

-Просимо ознайомитися з інформацією щодо місцевої системи роздільного збору сміття для електричного і електронного обладнання.

-Дотримуйтеся чинних місцевих правил і не викидайте старі вироби до звичайних побутових відходів. Правильна утилізація виробу допомагає уникнути можливих негативних наслідків для довкілля і здоров'я людей.

► **bs - ODLAGANJE PROIZVODA**

-Ovaj je proizvod dizajniran i proizveden korištenjem materijala i komponenata visoke kvalitete koji se mogu reciklirati i ponovo koristiti.

-Kada se na ovaj proizvod postavi simbol prekrizene kante /obilježene krstom na točkovima, to znači da je proizvod podložan Evropskoj Direktivi 2012/19/UE.

-Molimo Vas da se informirate o lokalnom sistemu diferencijalnog sakupljanja električnih i elektronskih proizvoda.

-Poštujte lokalne propise na snazi i ne odbacujte stare proizvode u obični kućanski otpad. Pravilno odlaganje proizvoda pomaže i onemogućuje negativne posljedice za zdravlje ljudi i okoliša

► **el - ΔΙΑΘΕΣΗ ΤΟΥ ΠΡΟΪΟΝΤΟΣ**

-Το προϊόν αυτό σχεδιάστηκε και κατασκευάστηκε με υλικά και εξαρτήματα υψηλής ποιότητας, τα οποία μπορούν να ανακυκλωθούν και να ξαναχρησιμοποιηθούν.

-Όταν ένα προϊόν είναι συνδεδεμένο με το σύμβολο του διαγεγραμμένου τροχοφόρου σημειωμένο με ένα σταυρό, σημαίνει ότι το προϊόν καλύπτεται από την Ευρωπαϊκή Οδηγία 2012/19/UE.

-Σας συνιστούμε να ενημερωθείτε σχετικά με το τοπικό σύστημα συλλογής για την ανακύκλωση ηλεκτρικών και ηλεκτρονικών προϊόντων.

-Τηρήστε τους τοπικούς κανονισμούς που ισχύουν και μην απορρίπτετε τα παλαιά προϊόντα στα οικιακά απορρίμματα. Η σωστή διάθεση του προϊόντος βοηθά στην αποφυγή πιθανών αρνητικών συνεπειών για την υγεία του περιβάλλοντος και του ανθρώπου.

► **zh - 弃置旧的产品**

-该产品是由高质量的原材料和零配件生产而成的，可以进行回收再利用

-当这个标识标签出现在产品上时，它表明这个产品符合 European Directive 2012/19/UE 标准。

-请熟知产品实际使用地关于处理废弃的电子元件的相关法律规定。

-请严格根据当地法规处理废弃的产品和包装，并确保不和生活垃圾混装。正确的处理方式可以避免对环境和人体健康产生的潜在威胁。

